

ID+ 2.5" Square Adjustable

FLCS22-SO








FOCAL POINT®

BEFORE YOU BEGIN

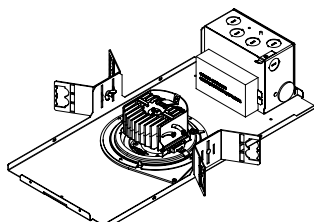
- Luminaires must be installed by a qualified electrician (check with local and national codes for proper installation).
- To prevent electrical shock, disconnect electrical supply before installation or servicing.
- Contractor is responsible for adequately reinforcing walls and/or ceilings to support fixture weight.
- Focal Point, LLC accepts no responsibility for inadequately reinforced walls and/or ceilings.
- The information contained in this drawing is the sole property of Focal Point, LLC. Any reproduction in part or whole without the written permission of Focal Point, LLC is prohibited.

INSTRUCTION KEY

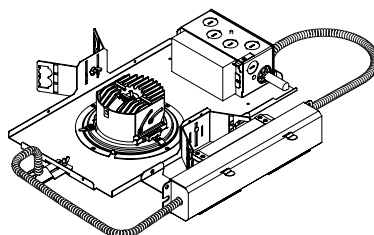
-  **ATTENTION**
-  **SEE ADDITIONAL INSTRUCTIONS**
-  **POWER OFF**
-  **POWER ON**
-  **LEVEL**

COMPONENT KEY

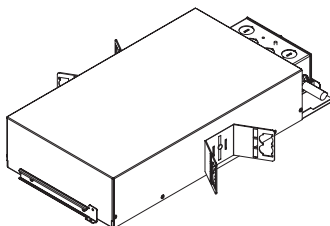
HOUSING



T-Housing

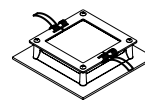


Emergency - Remote Test Switch

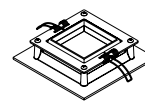


IC & CP Housing

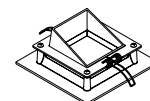
TRIM



Solite Lens

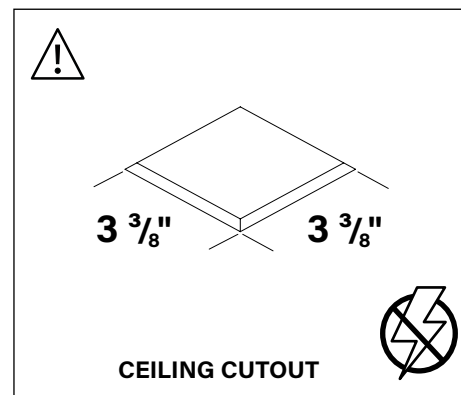
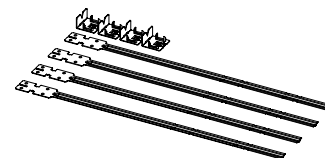


Spot Optic,
no lens
0° - 15° tilt

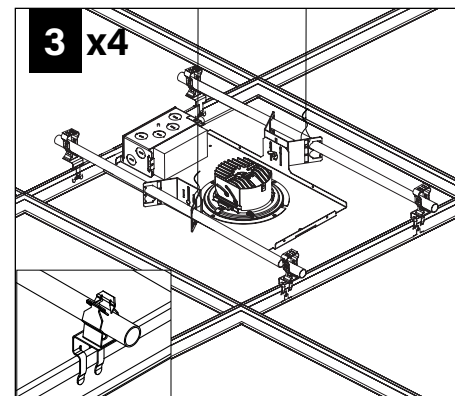
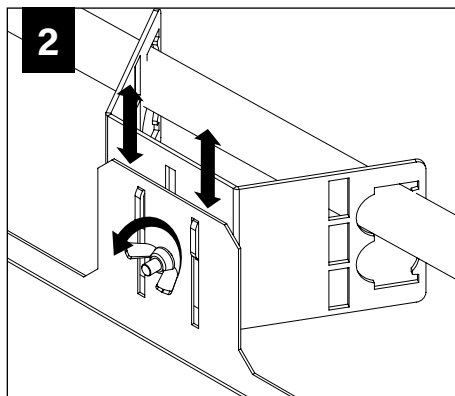
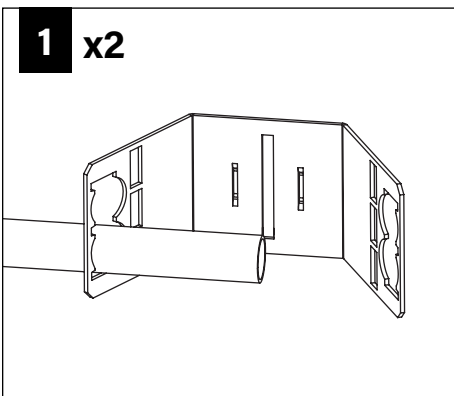


Spot Optic,
no lens
15° - 35° tilt

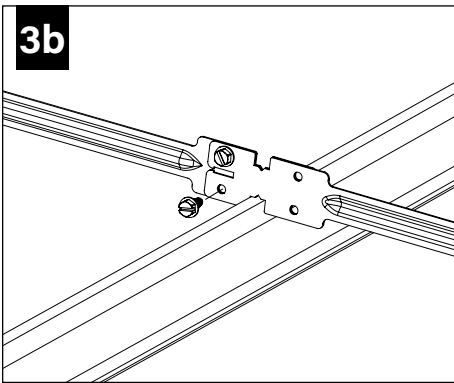
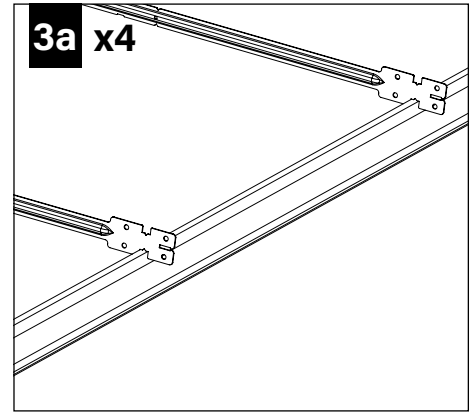
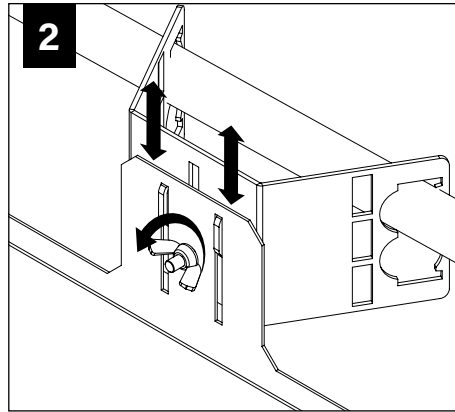
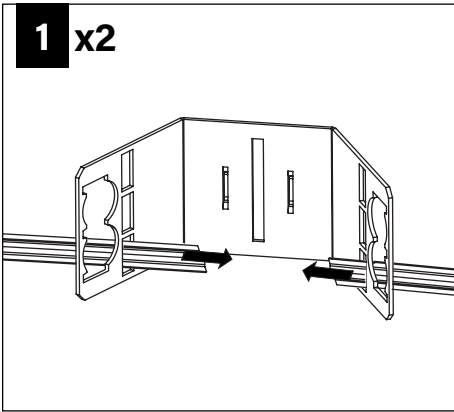
OPTIONAL BAR HANGERS SOLD SEPARATELY



GRID - 1/2" CONDUIT & CLIP (BY OTHERS)



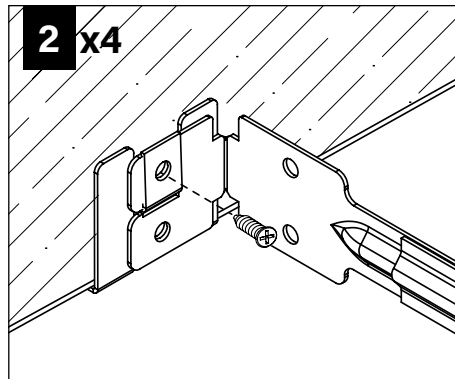
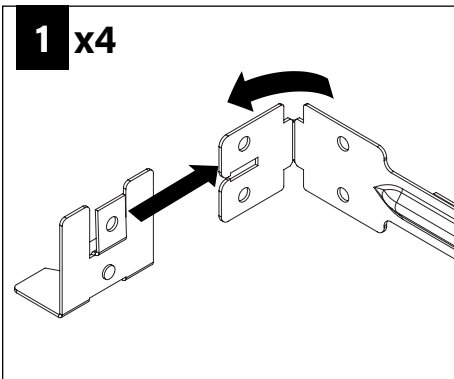
GRID - BAR HANGERS (SOLD SEPARATELY)



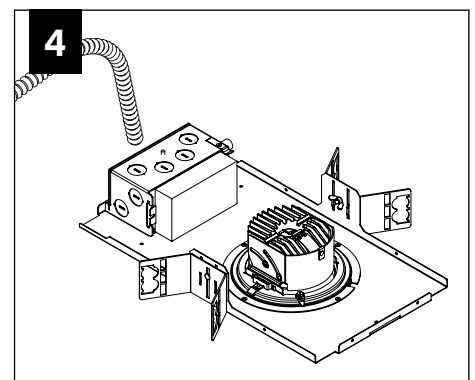
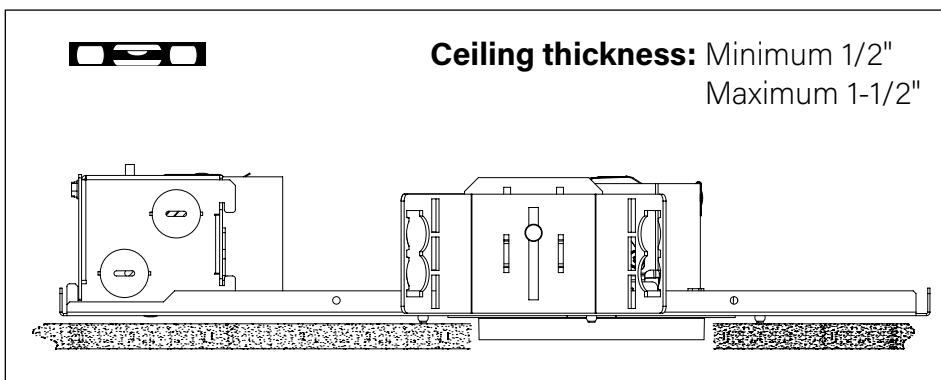
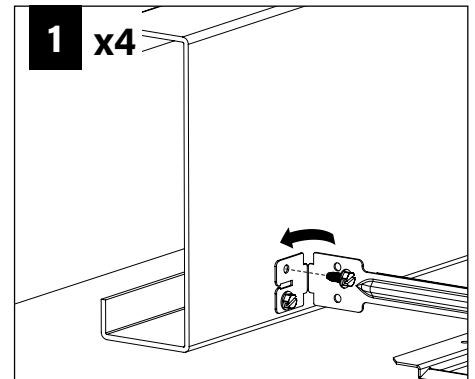
Multiple Luminaires Only

DRYWALL - BAR HANGERS (SOLD SEPARATELY)

WOOD STUDS



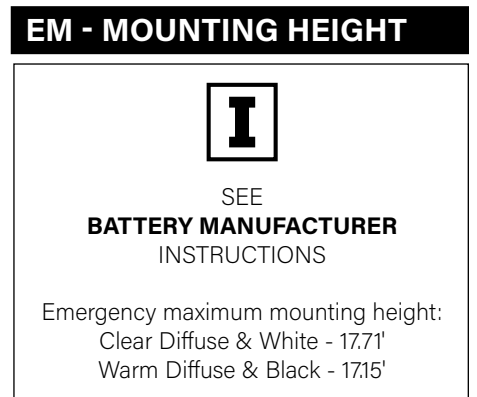
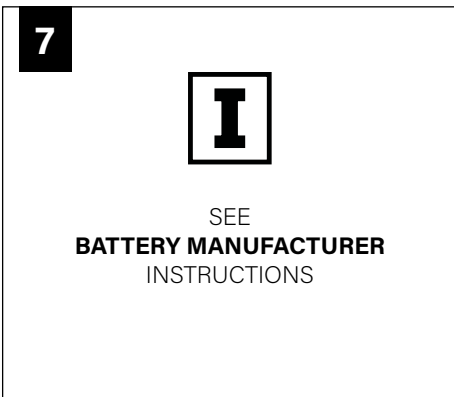
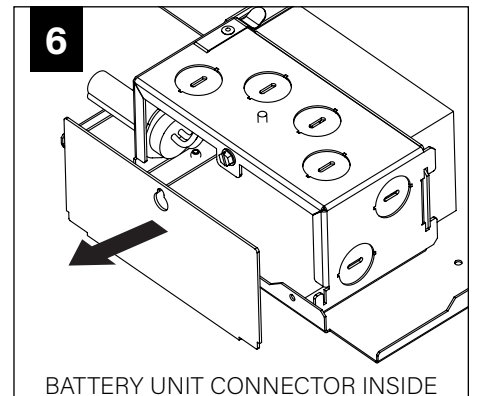
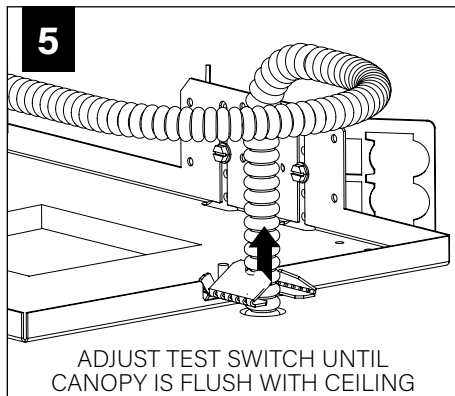
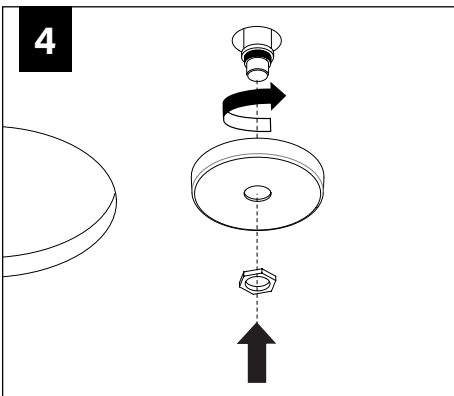
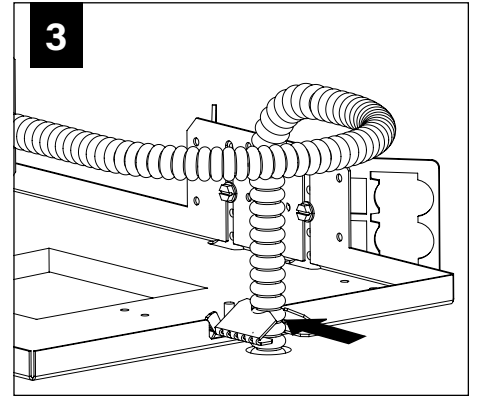
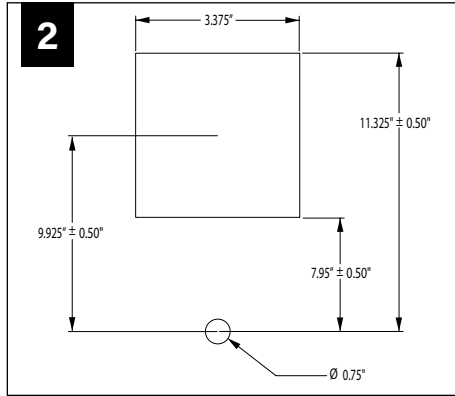
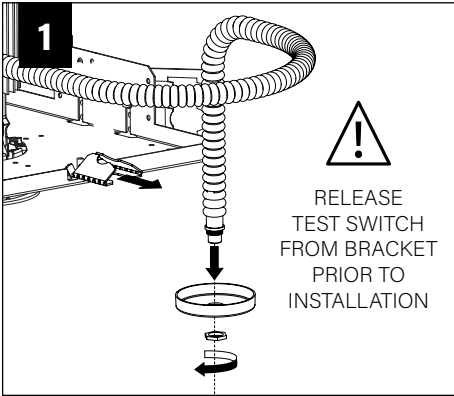
METAL STUDS



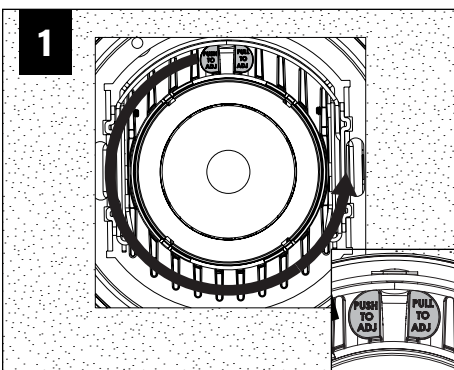
MAKE ELECTRICAL CONNECTION

EMERGENCY - REMOTE TEST SWITCH

▲ ABOVE CEILING ACCESS REQUIRED

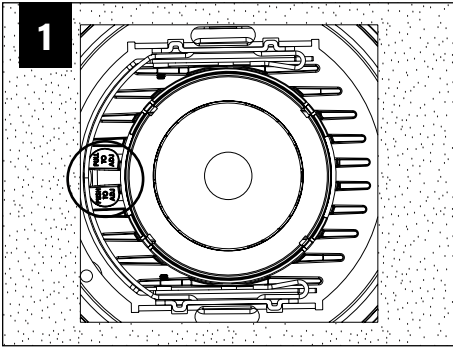


ROTATE

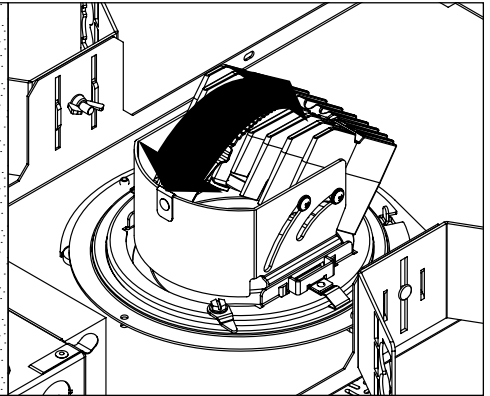
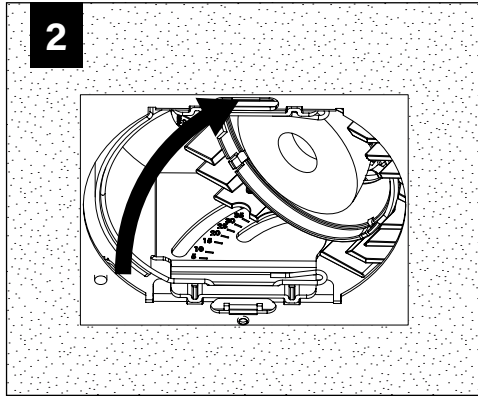


USE ADJUSTMENT HANDLE TO ROTATE UP TO 362°

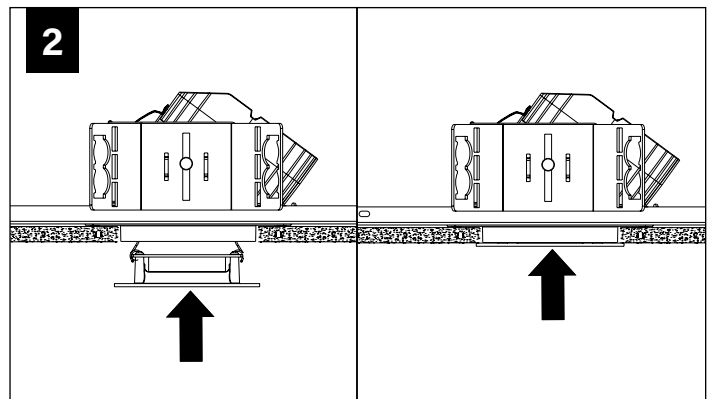
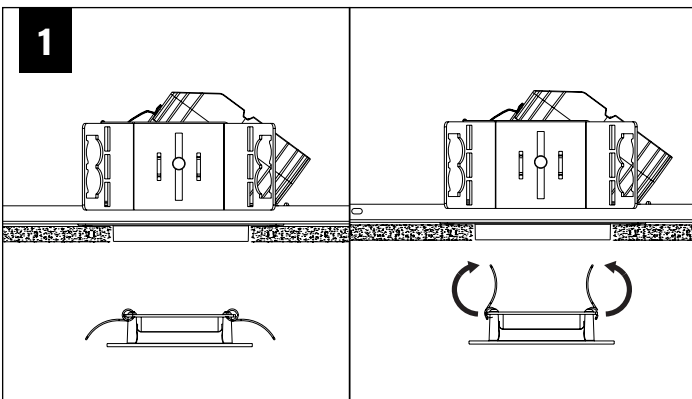
TILT



USE ADJUSTMENT HANDLE
TO TILT UP TO 35°



TRIM INSTALLATION

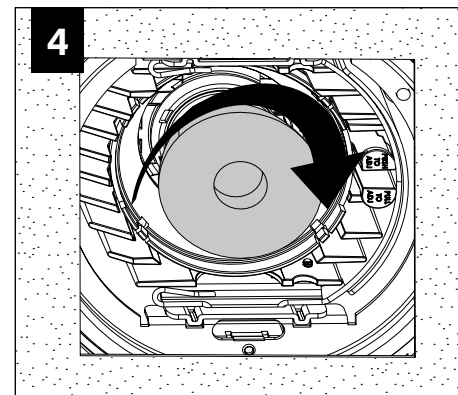
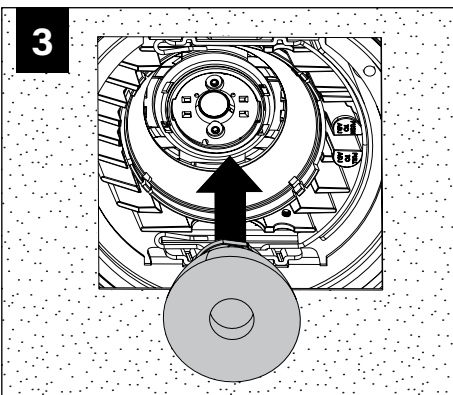
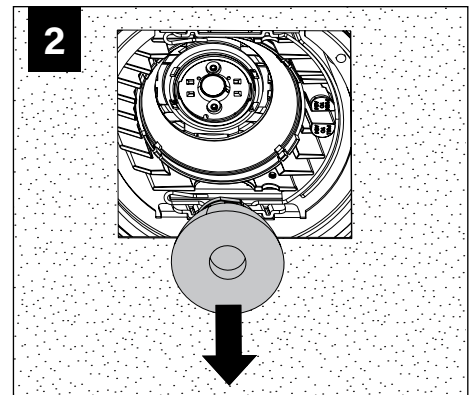
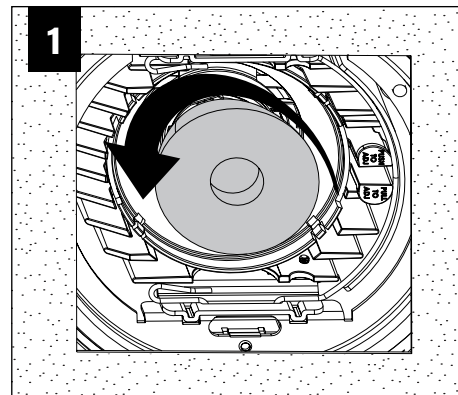


OPTIC SERVICE

I

DISTRIBUTION KITS INCLUDE AN
OPTIC AND REFLECTOR ASSEMBLY.

BOTH ITEMS MUST BE USED
TO ACHIEVE SPECIFIED
DISTRIBUTION.

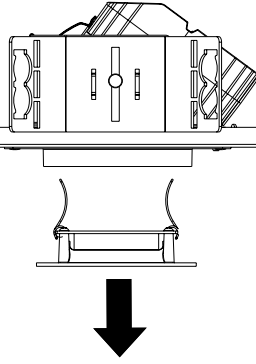


DRIVER SERVICE

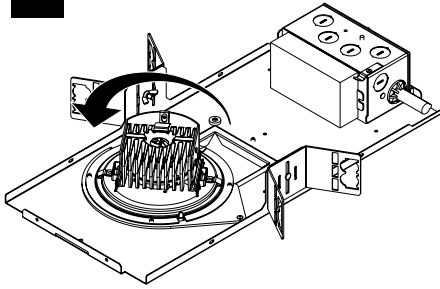


**TO PREVENT ELECTRICAL SHOCK,
DISCONNECT ELECTRICAL SUPPLY
BEFORE SERVICING**

1

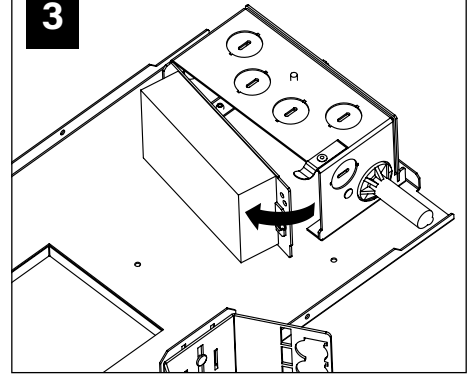


2



ROTATE ADJUSTMENT MODULE CLEAR OF CEILING OPENING. MODULE HELD IN PLACE MAGNETICALLY.

3



4

