

# ID+ 2.5" Round Housing

FLC2D | FLC2W



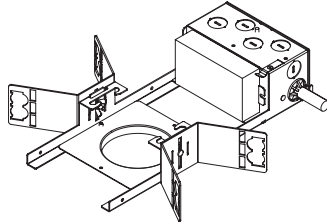
## BEFORE YOU BEGIN

- Luminaires must be installed by a qualified electrician (check with local and national codes for proper installation).
- To prevent electrical shock, disconnect electrical supply before installation or servicing.
- Contractor is responsible for adequately reinforcing walls and/or ceilings to support fixture weight.
- Focal Point, LLC accepts no responsibility for inadequately reinforced walls and/or ceilings.
- The information contained in this drawing is the sole property of Focal Point, LLC. Any reproduction in part or whole without the written permission of Focal Point, LLC is prohibited.

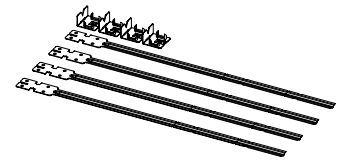
**LUMINAIRE MUST BE INSTALLED PRIOR TO DRYWALL CEILING. ALL GRID LUMINAIRE MUST BE SECURED TO STRUCTURE ABOVE.**

## COMPONENT KEY

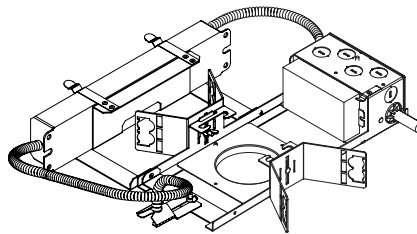
**NON-EMERGENCY**  
THERMALLY PROTECTED, NON-IC



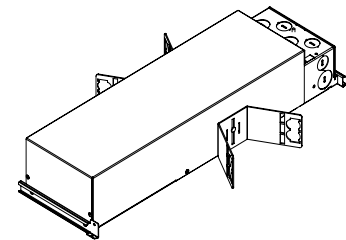
**OPTIONAL**  
BAR HANGERS SOLD SEPARATELY



**EMERGENCY**  
REMOTE TEST SWITCH, NON-IC

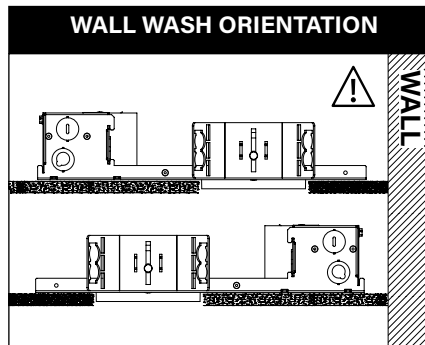


**IC/CP**



## INSTRUCTION KEY

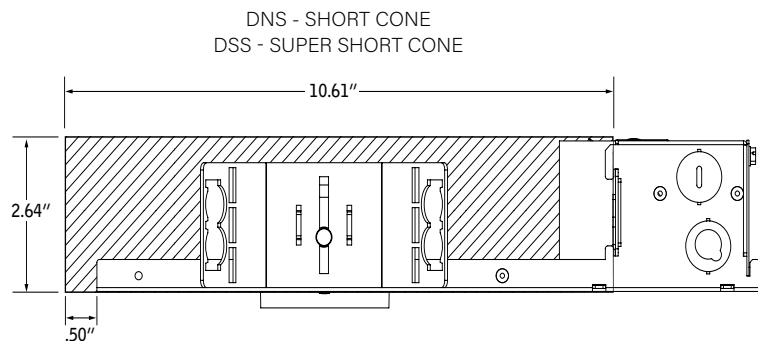
- ATTENTION**
- SEE ADDITIONAL INSTRUCTIONS**
- POWER OFF**
- POWER ON**
- LEVEL**



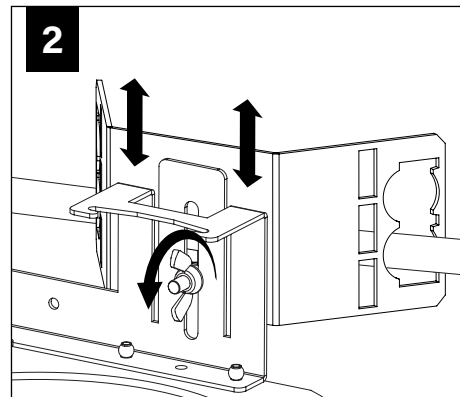
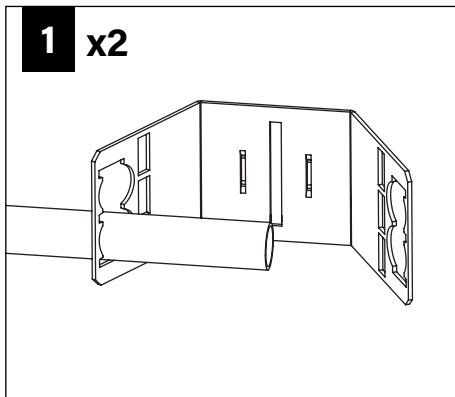
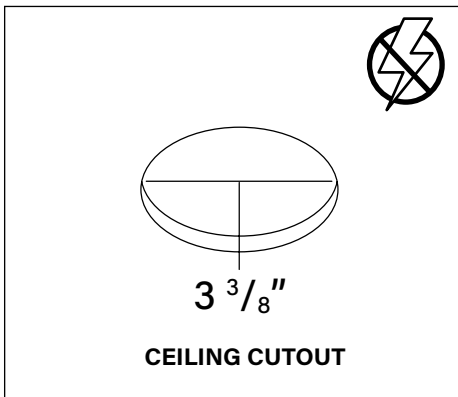
**!**

FOR ASTM E-283 AIR-TIGHT COMPLIANCE, SEAL IC HOUSING/ RO TRIM WITH SILICONE CAULKING BETWEEN THE EDGE OF THE COLLAR AND CEILING MATERIAL. SEAL ALL ADDITIONAL HOLES IN HOUSING WITH ALUMINUM TAPE.

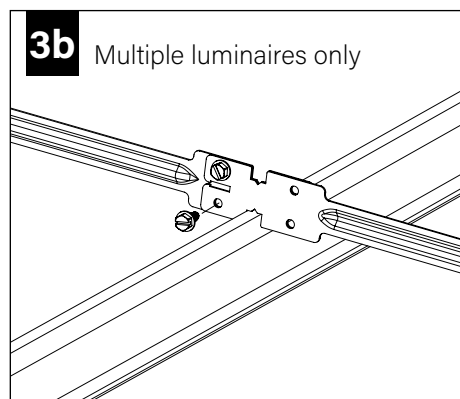
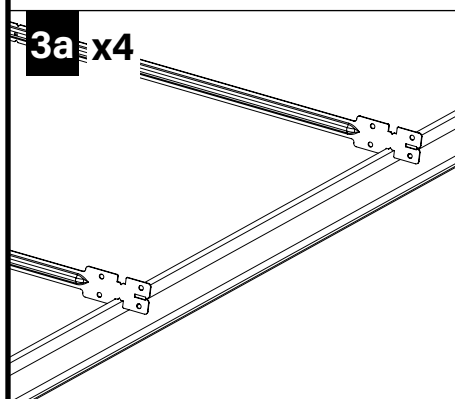
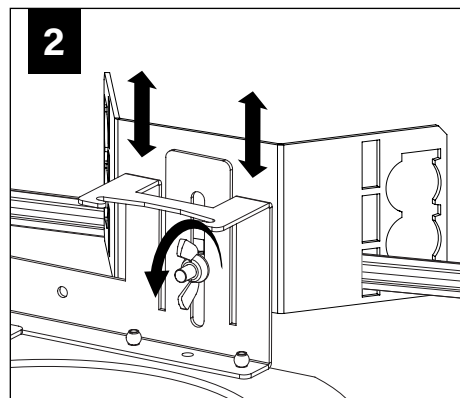
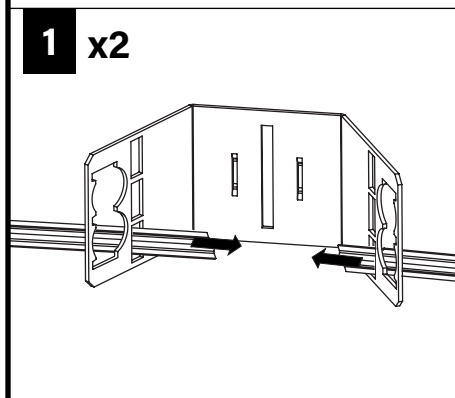
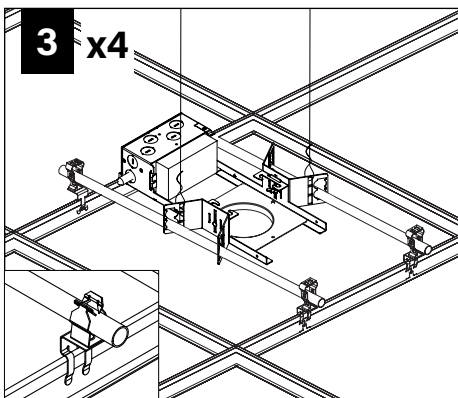
**KEEP SHADED AREA FREE FROM OBSTRUCTION ABOVE CEILING**



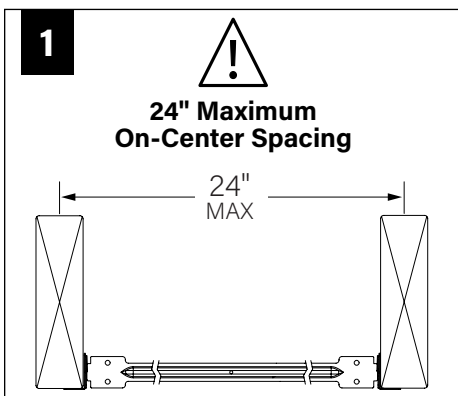
**GRID - 1/2" CONDUIT & CLIP (BY OTHERS)**



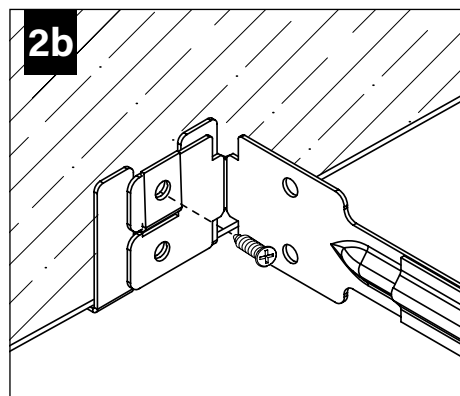
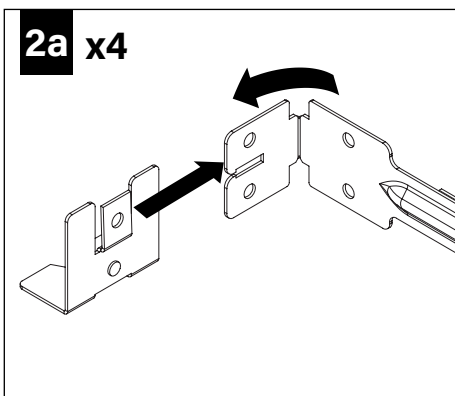
**GRID - BAR HANGERS (SOLD SEPARATELY)**



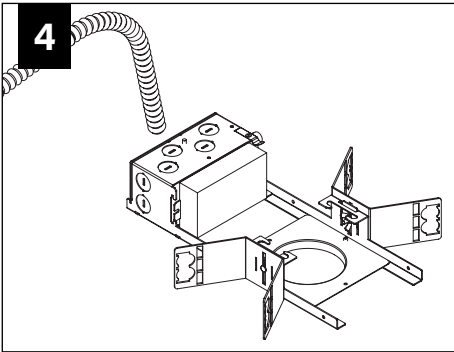
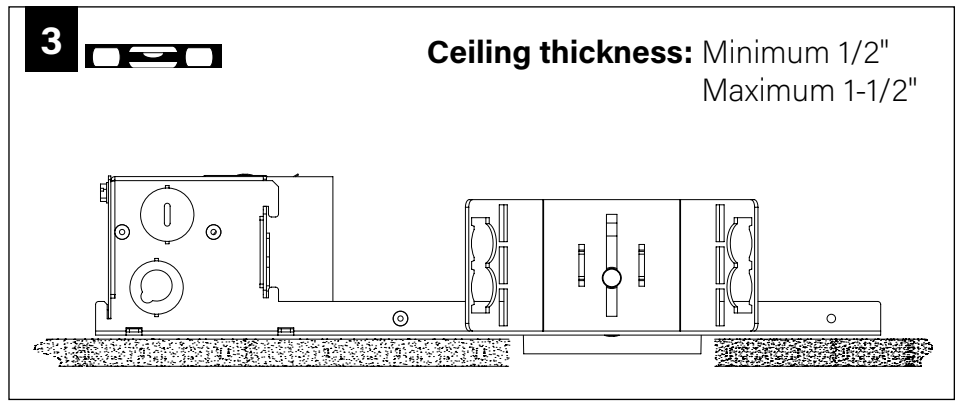
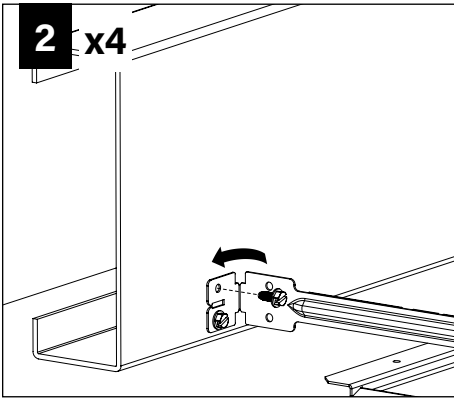
**DRYWALL - BAR HANGERS (SOLD SEPARATELY)**



**WOOD STUDS**



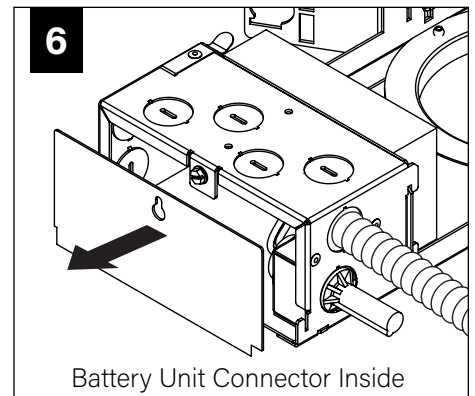
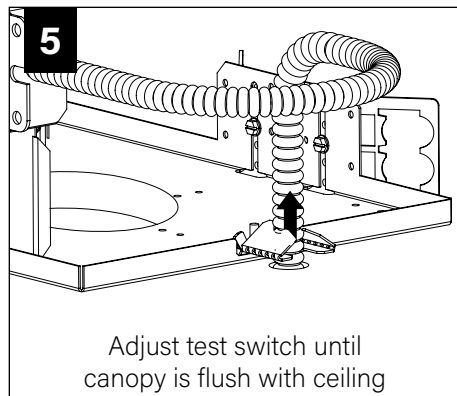
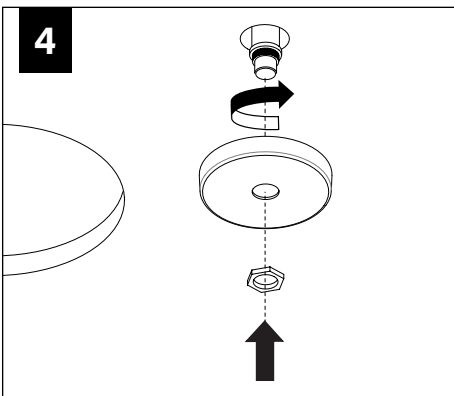
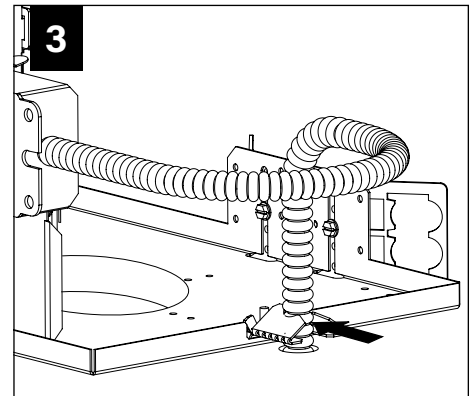
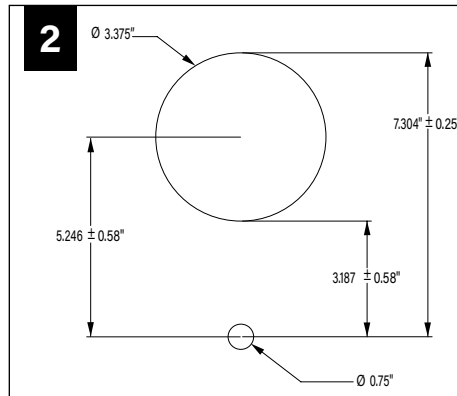
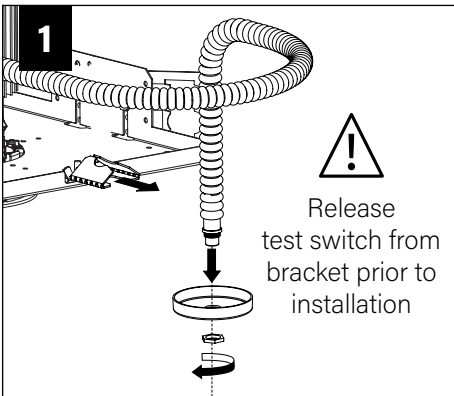
## METAL STUDS



MAKE ELECTRICAL CONNECTION

## EMERGENCY - REMOTE TEST SWITCH

**⚠ ABOVE CEILING ACCESS REQUIRED**



7



SEE  
BATTERY MANUFACTURER  
INSTRUCTIONS.



DO NOT MATE BATTERY  
UNIT CONNECTOR  
UNTIL INSTALLATION  
IS COMPLETE AND A.C.  
POWER IS SUPPLIED

## EM - MOUNTING HEIGHT



SEE  
BATTERY MANUFACTURER  
INSTRUCTIONS.

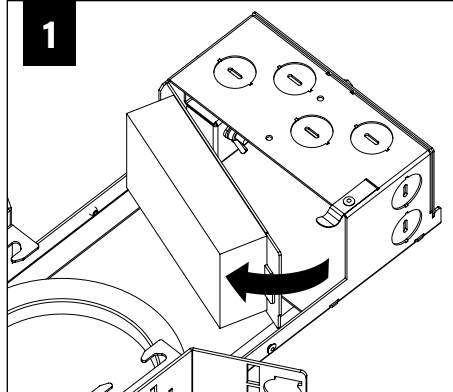
Emergency maximum mounting height:  
**Downlight:** Clear Diffuse & White - 17.2'  
Warm Diffuse & Black - 15.5'

## DRIVER SERVICE



TO PREVENT ELECTRICAL SHOCK,  
DISCONNECT ELECTRICAL SUPPLY  
BEFORE SERVICING

1



2

