

Veer® led surface mount/suspended

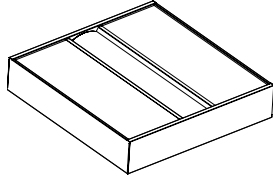
FVRL-14 | FVRL-22 | FVRL-24



FOCAL POINT®

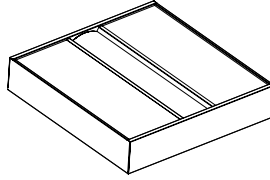
⚠️ AVOID ALL CONTACT WITH LED SURFACE, LEDs ARE EASILY DAMAGED!

SURFACE MOUNT



SUSPENDED

UNIVERSAL
SUSPENSION
SYSTEM - SHIPS
SEPARATELY



LUMINAIRE WEIGHTS

1x4 - 19 LBS

2x2 - 17 LBS

2x4 - 29 LBS

KEY



POWER OFF



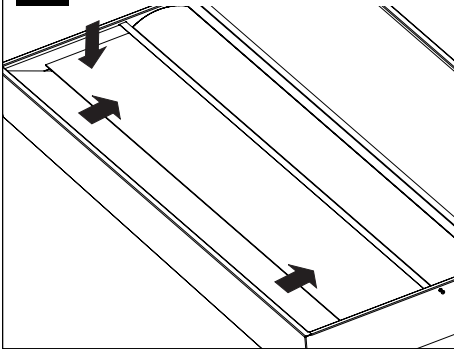
POWER ON



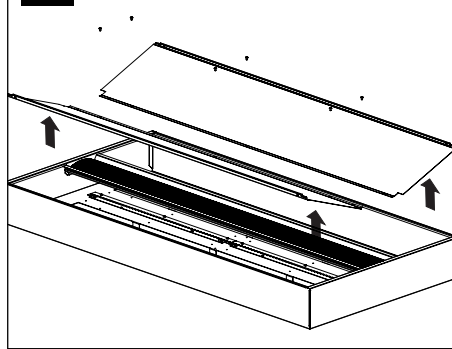
ATTENTION

SURFACE MOUNT

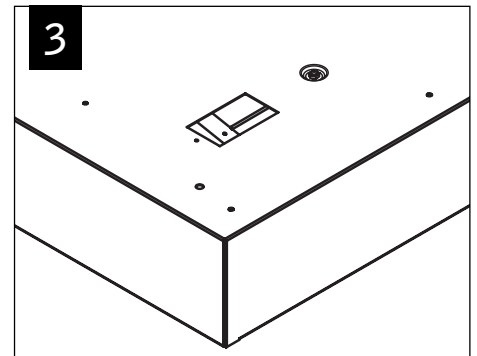
1 REMOVE BOTH SIDE LENSES



2 REMOVE REFLECTORS

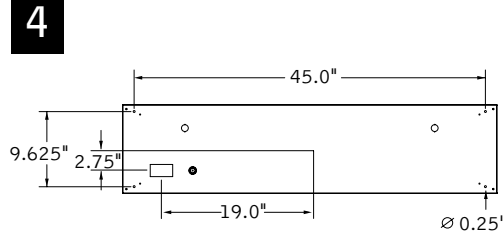


3

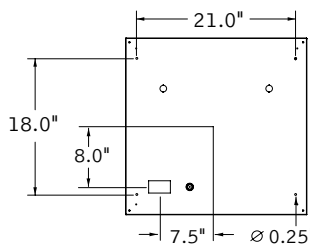


MAKE ELECTRICAL CONNECTIONS

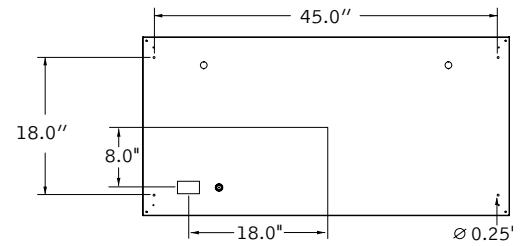
4



1x4



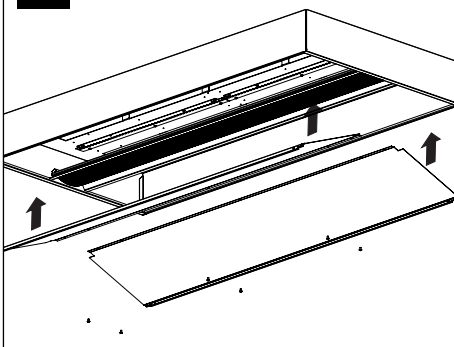
2x2



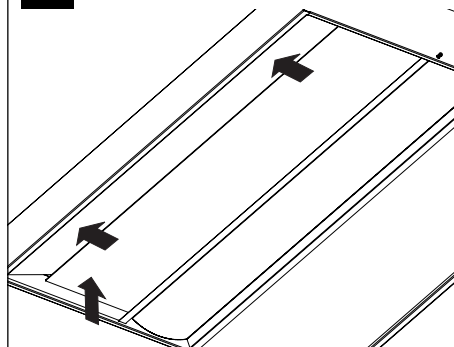
2x4

SECURE TO STRUCTURE ABOVE USING APPROPRIATE FASTENERS (BY OTHERS)

5 REPLACE REFLECTORS



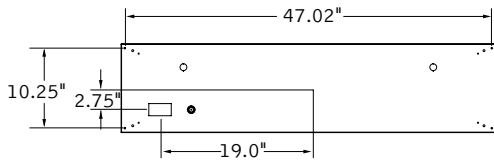
6 REPLACE SIDE LENSES



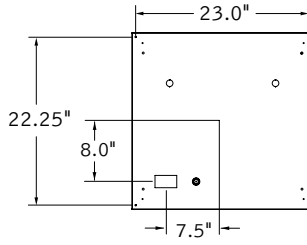
Luminaires must be installed by a qualified electrician (check with local and national codes for proper installation).
To prevent electrical shock, disconnect electrical supply before installation or servicing.

SUSPENDED

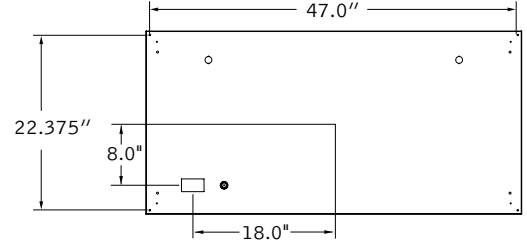
1



1x4



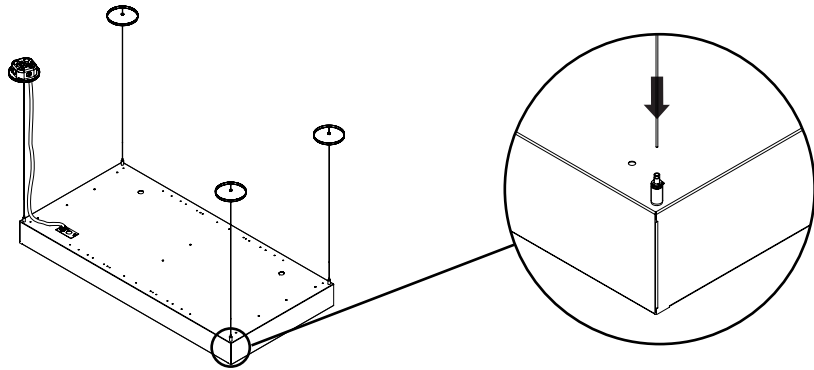
2x2



2x4

2

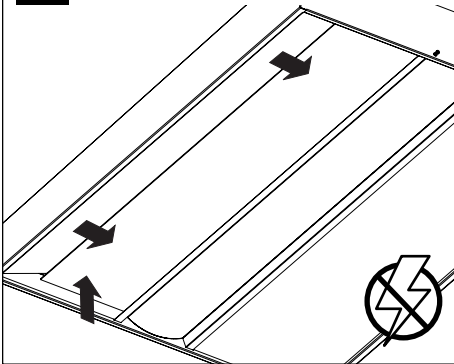
FOLLOW FOCAL POINT
INSTRUCTIONS FOR
UNIVERSAL SUSPENSION
SYSTEM ASSEMBLY.
SEE IS0166



SERVICE

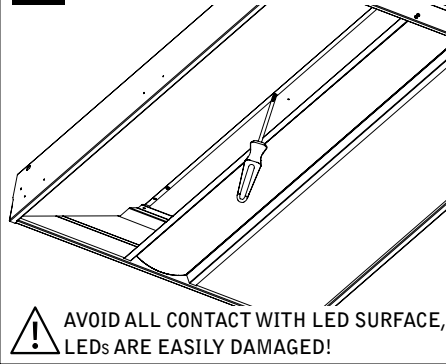
1

LIFT LENS AND SLIDE OVER

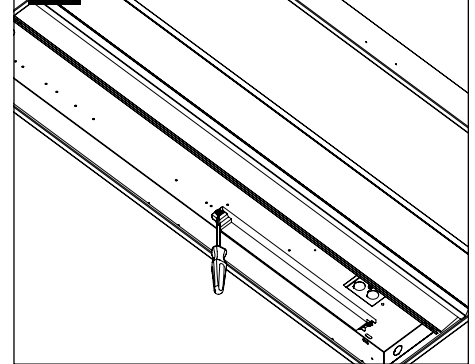


2

REMOVE DRIVER COVER



3



Contractor is responsible for adequately reinforcing walls and/or ceilings to support luminaire weight. Focal Point, LLC accepts no responsibility for inadequately reinforced walls and/or ceilings. The information contained in this drawing is the sole property of Focal Point, LLC. Any reproduction in part or whole without the written permission of Focal Point, LLC is prohibited.