

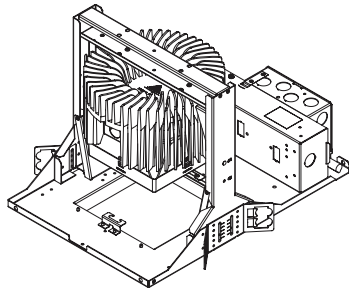
id+ high ceiling 6" square

FL66H



LUMINAIRE MUST BE INSTALLED PRIOR TO DRYWALL CEILING. ALL LUMINAIRES MUST BE SECURED TO STRUCTURE ABOVE.

NON-EMERGENCY



KEY



POWER OFF



POWER ON



LEVEL

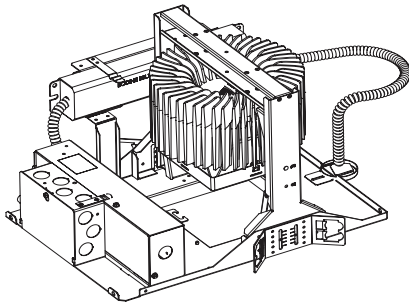


ATTENTION

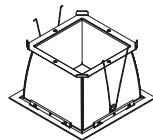


SEE ADDITIONAL INSTRUCTIONS

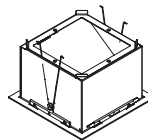
EMERGENCY - REMOTE TEST SWITCH



TRIM

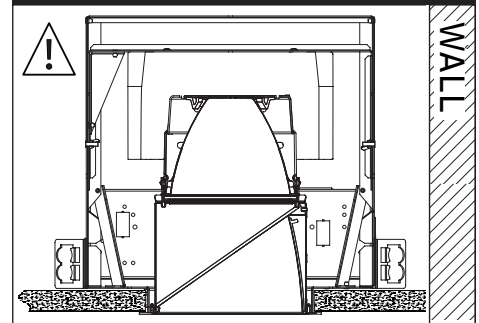


DOWNLIGHT

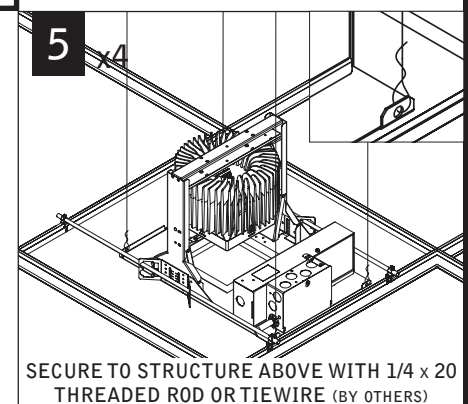
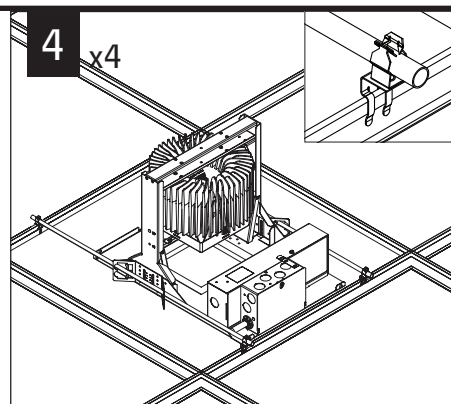
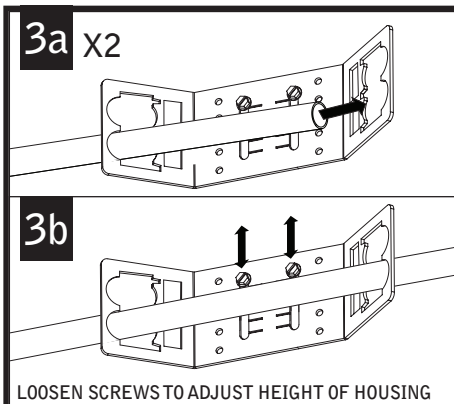
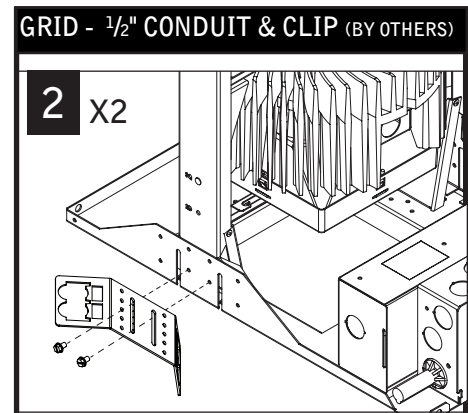
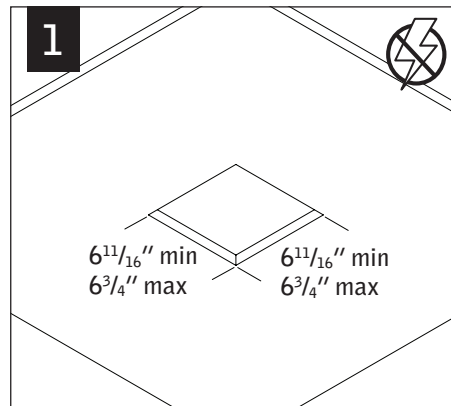


WALL WASH

WALL WASH ORIENTATION

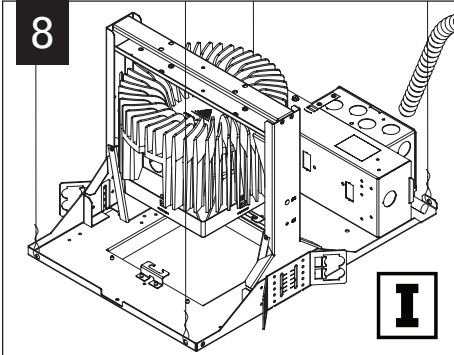
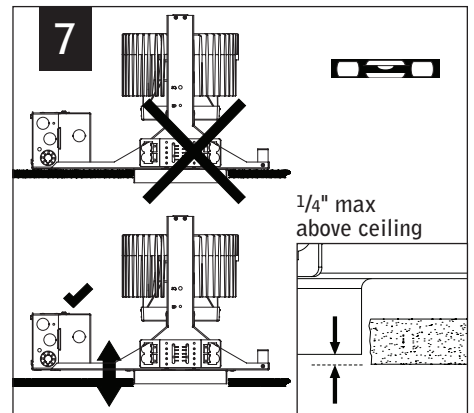
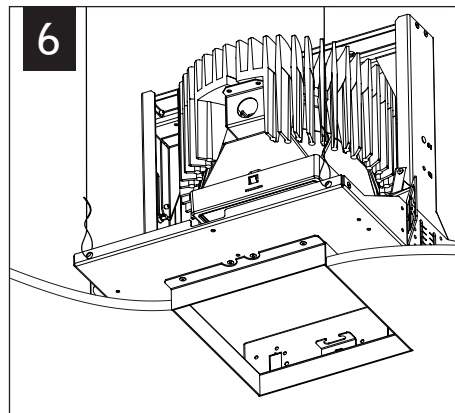
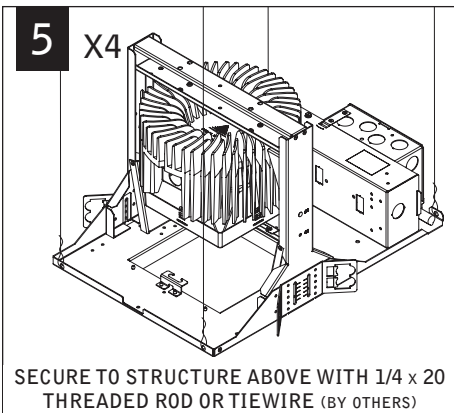
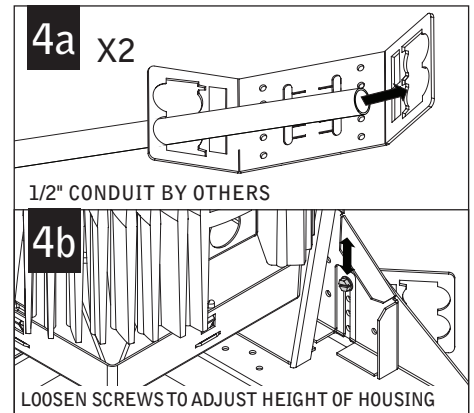
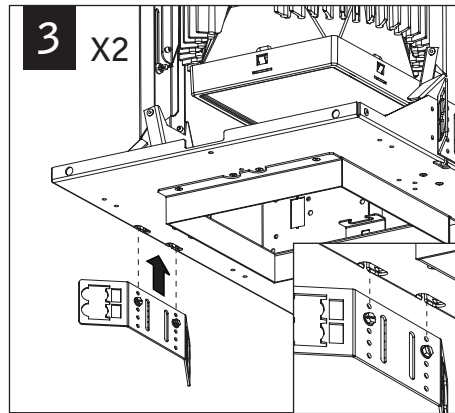
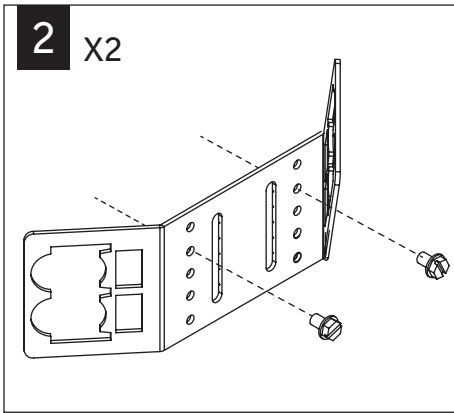


REMOVE ZIP TIE PRIOR TO INSTALLATION



Luminaires must be installed by a qualified electrician (check with local and national codes for proper installation). To prevent electrical shock, disconnect electrical supply before installation or servicing.

DRYWALL



MAKE ELECTRICAL CONNECTIONS

EMERGENCY

A

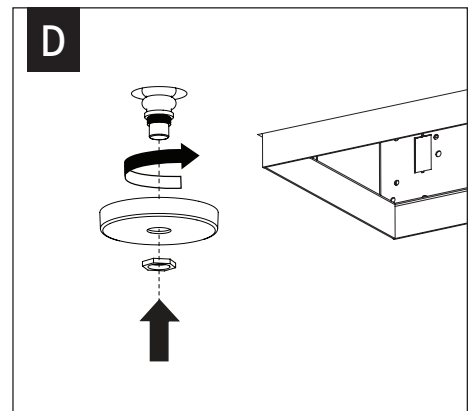
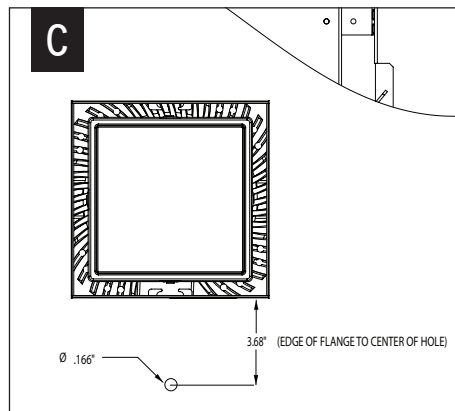
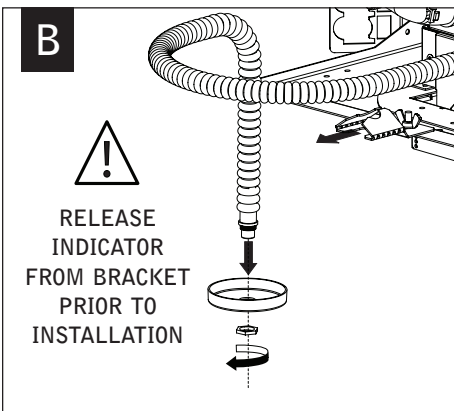
I

SEE BATTERY MANUFACTURER
INSTRUCTIONS

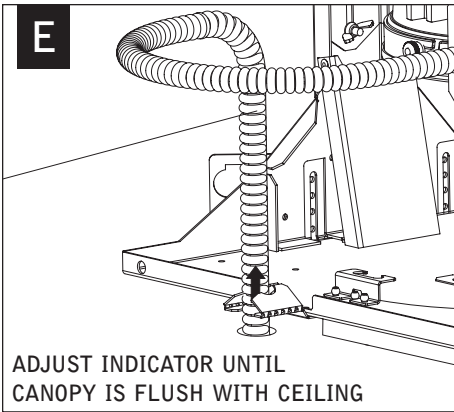
EMERGENCY MAXIMUM MOUNTING HEIGHT:
35.00'

!

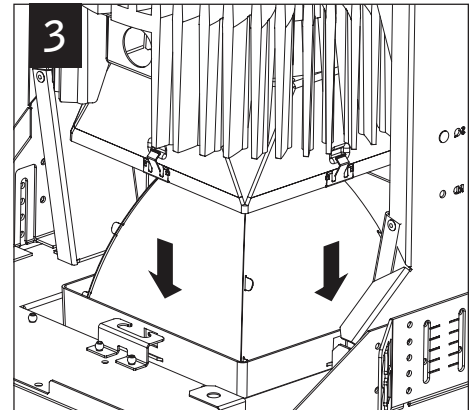
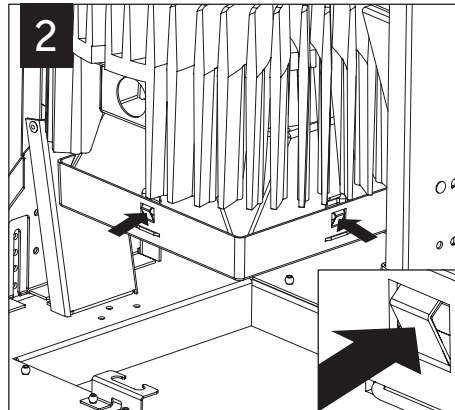
DO NOT MATE CONNECTOR
UNTIL INSTALLATION
IS COMPLETE AND A.C.
POWER IS SUPPLIED



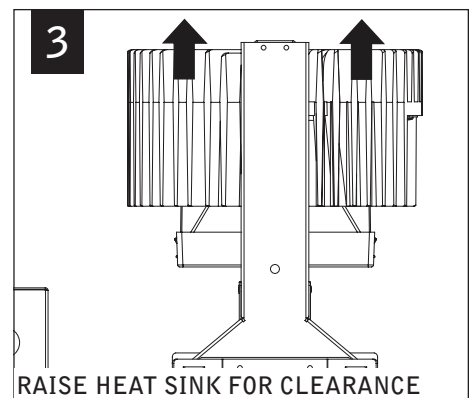
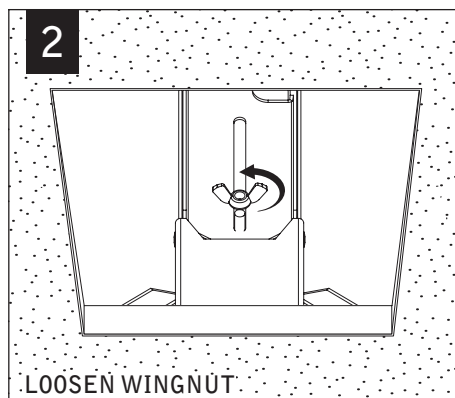
Fixtures must be installed by a qualified electrician (check with local and national codes for proper installation).
To prevent electrical shock, disconnect electrical supply before installation or servicing.



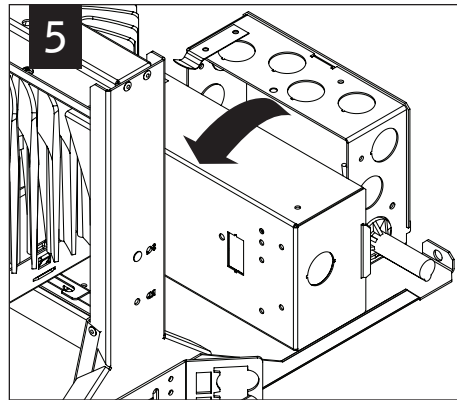
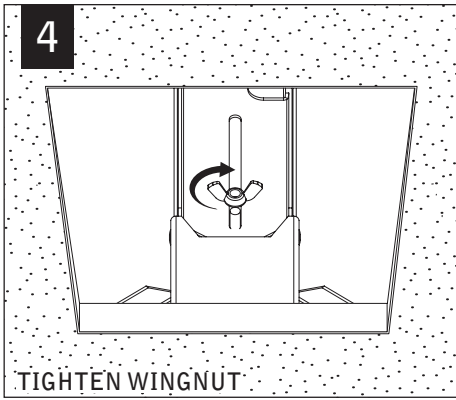
OPTIC ASSEMBLY



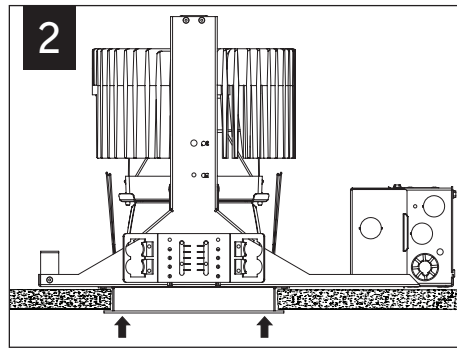
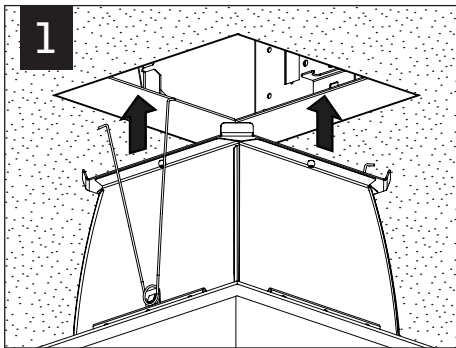
DRIVER SERVICE



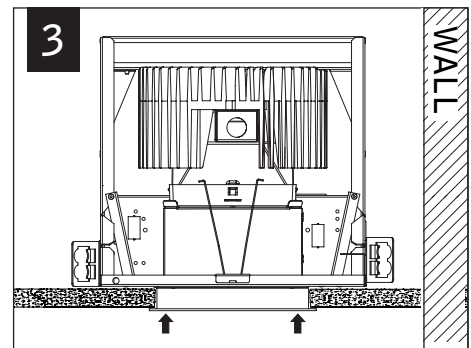
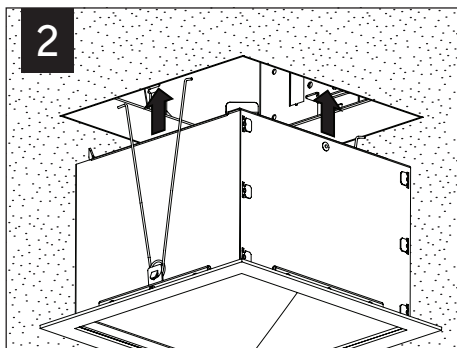
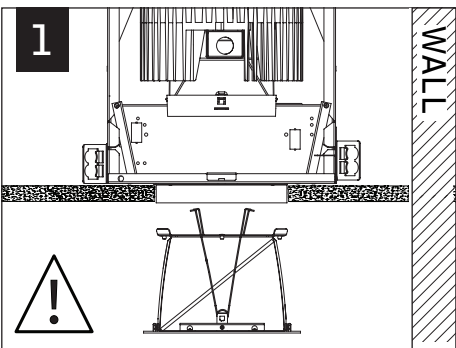
Fixtures must be installed by a qualified electrician (check with local and national codes for proper installation).
To prevent electrical shock, disconnect electrical supply before installation or servicing.



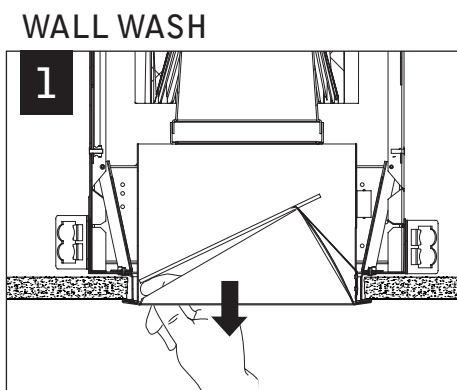
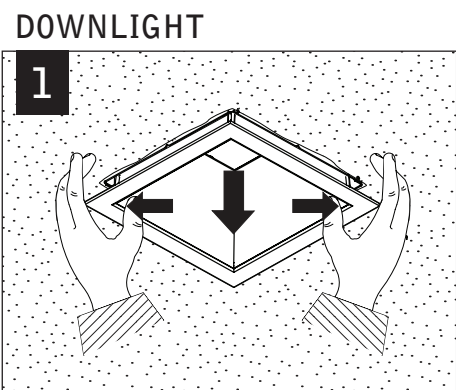
DOWNLIGHT TRIM



WALL WASH



TRIM REMOVAL ⚠️ DO NOT PULL ON TRIM FLANGE



Contractor is responsible for adequately reinforcing walls and/or ceilings to support fixture weight. Focal Point, LLC accepts no responsibility for inadequately reinforced walls and/or ceilings. The information contained in this drawing is the sole property of Focal Point, LLC. Any reproduction in part or whole without the written permission of Focal Point, LLC is prohibited.