

ID+ HIGH CEILING



FOCAL POINT®

ID+ HIGH CEILING

Raise your expectations with the ID+ High Ceiling downlight family. Leave the limitations and compromises of old technology behind. Embrace low maintenance and ultimate design flexibility. Realize that new technology and energy savings should never compromise the clean and comfortable visual appearance your space demands.

RIGHT LIGHT LUMEN OUTPUT

Wall Wash - 2000, 3000, 4000* Lumens

Downlight - 4000, 5000, 6000, 7000** Lumens

4 BEAMSPREADS + WALL WASH

Narrow Flood

Flood

Wide Flood

Very Wide Flood

COLOR OFFERING

3000, 3500, 4000K

80+ CRI

2 SDCM

DIMMING OPTIONS

0-10V - 1% Dimming

0-10V - 0% Dimming

Lutron A-Series - 1% EcoSystem Digital

DALI - 1% Dimming

DMX/RDM - 1% Dimming

* 4000 Lumen 8" round only.
** 7000 Lumen round only.



HIGH CEILING FAMILY



6" Downlight - up to 81 LPW



6" Wall Wash - up to 47 LPW



6" x 6" Downlight - up to 69 LPW



6" x 6" Wall Wash - up to 56 LPW



8" Downlight - up to 89 LPW

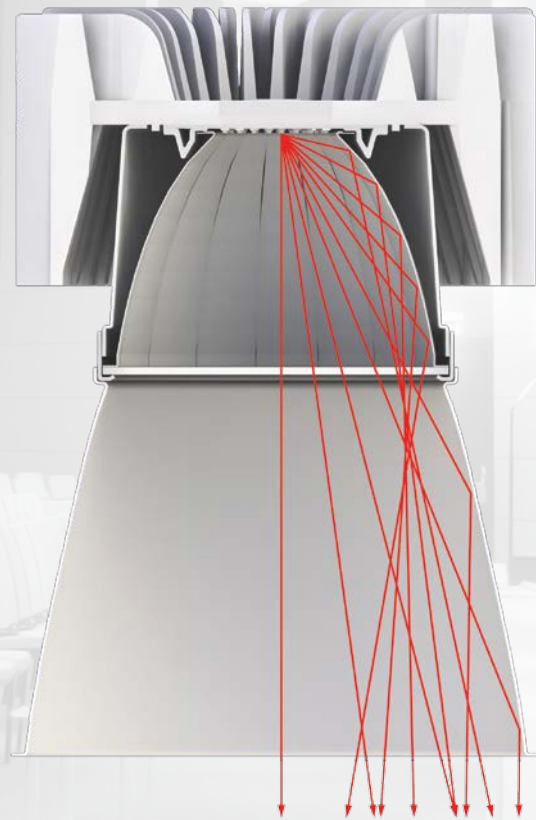


8" Wall Wash - up to 62 LPW

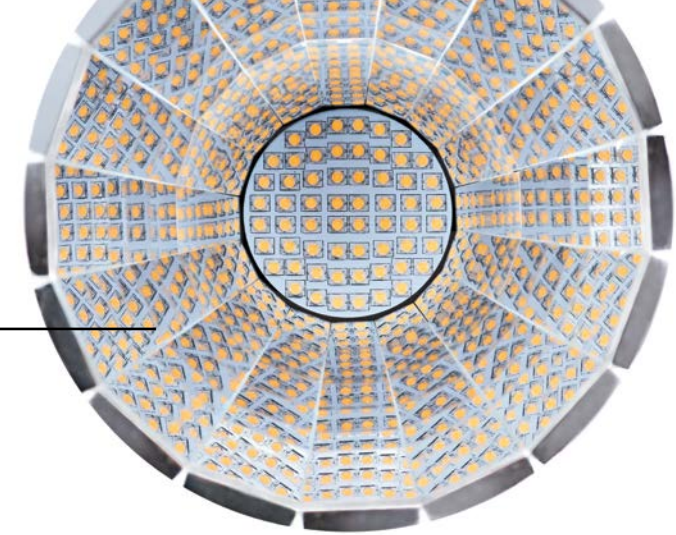
ID+

VISUAL COMFORT

Brightness control is critical in high ceiling applications. Our precision optical design efficiently captures and redirects light out of the aperture, while maintaining a comfortable appearance that does not detract from the environment.



A faceted 98% reflective specular primary reflector controls each ray, and focuses the beam toward its target.



Field-changeable optical filters shape the light into smooth beamspreads from 30° - 65°. The filter creates a single homogenous light source, and eliminates distracting multi-source shadows.



The low-brightness design is finished with a diffuse 50° cutoff reflector. The gently grazed reflector surface contributes to a comfortable and quiet presence in the ceiling.



ID+

EFFICIENTLY FLEXIBLE

NARROW FLOOD

	6" x 6" square	6" round	8" round
	33° beamspread	35° beamspread	30° beamspread
	4000 Lm	4000 Lm	4000 Lm
	5000 Lm	5000 Lm	5000 Lm
	6000 Lm	6000 Lm	6000 Lm
		7000 Lm	7000 Lm

FLOOD

	6" x 6" square	6" round	8" round
	46° beamspread	35° beamspread	30° beamspread
	4000 Lm	4000 Lm	4000 Lm
	5000 Lm	5000 Lm	5000 Lm
	6000 Lm	6000 Lm	6000 Lm
		7000 Lm	7000 Lm

WIDE FLOOD

	6" x 6" square	6" round	8" round
	55° beamspread	55° beamspread	50° beamspread
	4000 Lm	4000 Lm	4000 Lm
	5000 Lm	5000 Lm	5000 Lm
		6000 Lm	6000 Lm
			7000 Lm

VERY WIDE FLOOD

	6" x 6" square	6" round	8" round
	65° beamspread	65° beamspread	60° beamspread
	4000 Lm	4000 Lm	4000 Lm
	5000 Lm	5000 Lm	5000 Lm
		6000 Lm	6000 Lm
			7000 Lm

Above data represents actual tested and estimated values derived from independent LM-79 photometric reports.

ID+ adapts to each high ceiling application, offering maximum design flexibility. Multiple beamspreads, a range of outputs and a selection of dimming drivers provide options and capabilities that previous technologies could not achieve.

50' x 50' EXAMPLE

	distribution	delivered lumens	fixture spacing	average footcandles	uniformity	watts/sq. foot
50' CEILING						
8" Round	NFL	7000	20' x 20'	16.5	1.9	0.30
8" Round	NFL	7000	15' x 15'	26.2	1.9	0.57

40' CEILING						
8" Round	NFL	4000	15' x 15'	17.0	1.7	0.27
8" Round	NFL	7000	20' x 20'	16.7	1.9	0.30

25' CEILING						
8" Round	FL	4000	16.5' x 20'	10.4	3.5	0.15
8" Round	FL	7000	15' x 15'	30.6	1.5	0.56
6" Round	FL	7000	15' x 15'	26.0	1.6	0.56

15' CEILING						
8" Round	WFL	4000	15' x 15'	18.6	1.4	0.27
6" Round	WFL	5000	15' x 15'	22.2	1.4	0.39

12' CEILING						
8" Round	WFL	4000	12' x 12'	26.2	2.3	0.35
6" Round	VWFL	4000	15' x 15'	16.7	1.5	0.27

Room Size: 50' x 50' | LLF: 0.85 | Reflectances: 80/50/20 | Color Temp: 3500K
Light levels calculated in AGI-32. Calculations do not include any furniture or partitions.

ID+

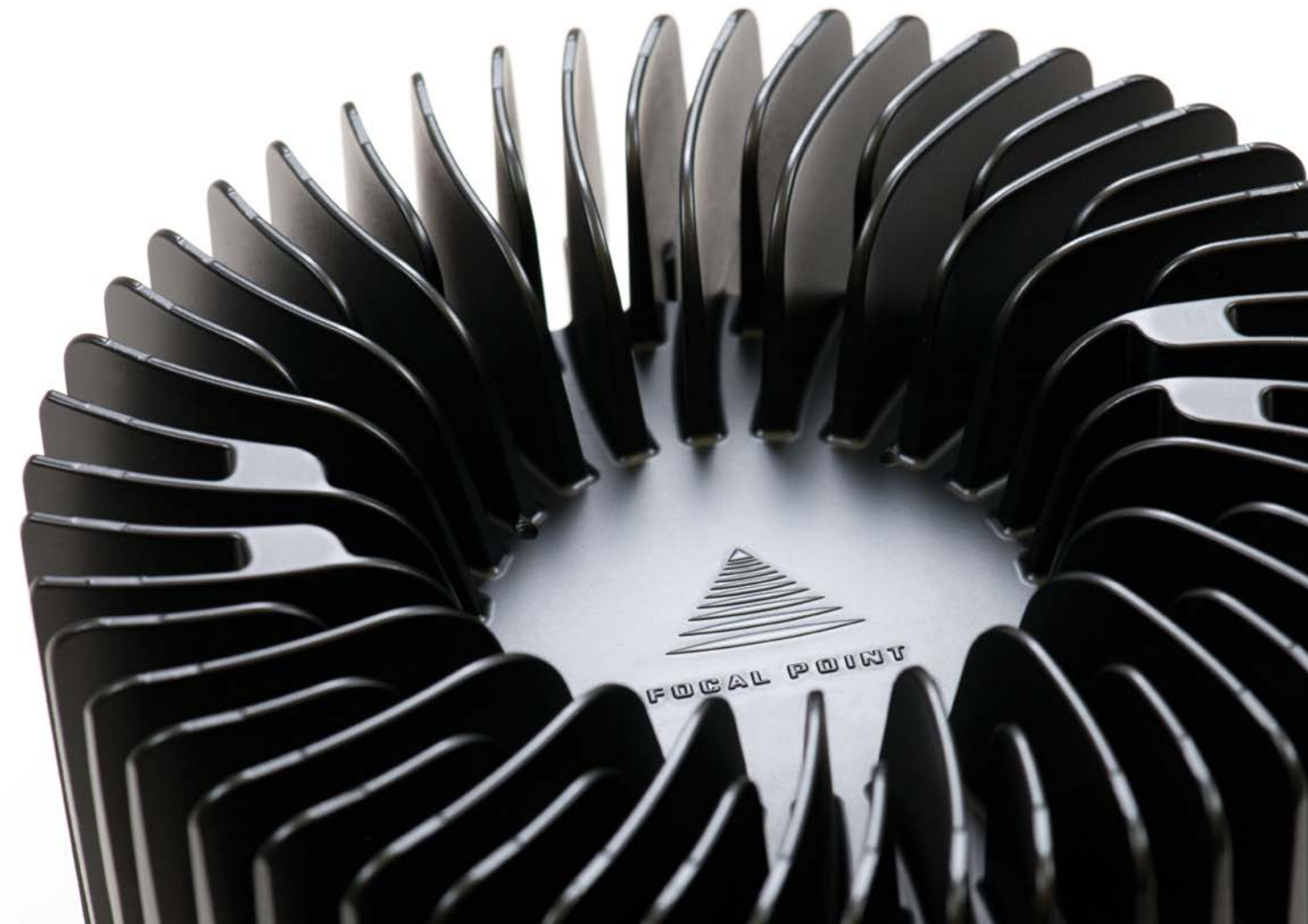
STABLE & SILENT

Reliability counts in high ceiling applications. The ID+ High Ceiling family is designed for long and stable operation, even in environments with ambient temperatures up to 45°C. A robust passive cooling system enables this longevity without the need for a mechanical cooling device or fan. No fan means no noise, making this design ideal for auditoriums, churches and meeting rooms.

Turbine-style heat sink with high fin density draws air across fins to pull heat away from the LED array, allowing the system to run reliably, even in elevated ambient conditions.



Unlike halogen or metal halide sources, this luminaire contributes very little heat into the room side environment.

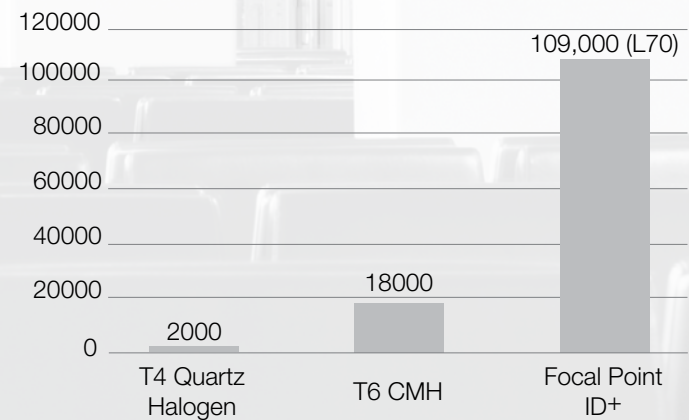


ID+

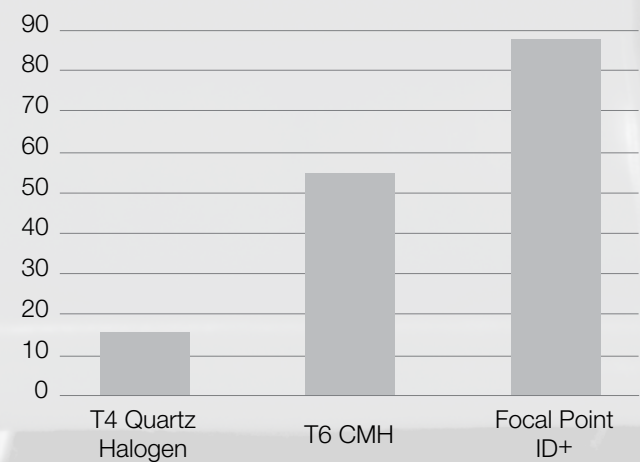
LASTING IMPRESSIONS

Luminaires in high ceiling applications can be very difficult and expensive to maintain. So why not minimize the need for maintenance? With its long life and robust design, you can confidently specify ID+ High Ceiling for atriums, airports, and auditoriums.

LAMP LIFE / LUMEN MAINTENANCE (HRS)



EFFICACY (LPW)



OPERATING COST COMPARISON (6 Luminaires)

	ID+ LED	T6 CMH
Calculated Lumen Maintenance* / Lamp Life	109,000 hrs (L70)	18,000 hrs
Lamp Replacement (LED Lifetime)	0	6
ESTIMATED MAINTENANCE COST	0	\$6,407
Total System Wattage	69W	82W
Total Energy Consumption (kW)	7,521	8,938
TOTAL ENERGY COST OVER LIFE OF LED (\$.10/KWH)	\$4,512.60	\$5,362.80
TOTAL COST	\$4,512.60	\$11,769.58
Total Cost Savings	\$7,256.98	
TOTAL COST SAVING PERCENTAGE	161%	

*calculated lumen maintenance derived using EPA TM-21 calculator, reported lumen maintenance is 36,000 hours.
Maintenance cost based on: group relamp of 6 round fixtures, 30 minutes per fixture at \$65 per hour, \$78 per lamp, \$395 rental fee for lift and truck

6" x 6" DOWNLIGHT

housing ordering

housing series	FL66H	
ID+ 6" Square	FL66H	
trim type	SO	
Square Overlap	SO	
lumen output		
4000 Lumens	4000L	
5000 Lumens	5000L	
6000 Lumens	6000L	
<small>(NFL & FL distributions only. Not available with L3D.)</small>		
color temperature		
3000K	30K	
3500K	35K	
4000K	40K	
distribution		
Narrow Flood	NFL	
Flood	FL	
Wide Flood	WFL	
<small>(4000L & 5000L only)</small>		
Very Wide Flood	VWFL	
<small>(4000L & 5000L only, 5000L not available with L3D)</small>		
voltage		
120V	120	
277V	277	
driver		
0-10V - 1% Dimming	L11	
0-10V - 0% Dimming	LZ1	
DALI - 1% Dimming	D11	
DMX/RDM - 1% Dimming	X11	
Lutron A-Series	L3D	
1% EcoSystem Digital		
<small>((2) drivers supplied (2) EcoSystem addresses consumed) (Consult factory for 3-wire control)</small>		
housing type	T	
Thermally Protected, Non-IC	T	
factory options		
Chicago Plenum	CP	
Emergency Battery Pack with Remote Test Switch	EMR	
<small>(Above ceiling access only)</small>		
trim ordering		
aperture	L66H	
6" Square Reflector	L66H	
trim type	SQ	
Square	SQ	
optic	WW	
Wall Wash	WW	
color	CD	
Clear Diffuse	CD	
flange finish		
White	WH	
Black	BK	
Titanium Silver	TS	
Aluminum Raw	AL	

6" x 6" WALL WASH

housing ordering

housing series	FL66H	
ID+ 6" Square	FL66H	
trim type	SO	
Square Overlap	SO	
lumen output		
2000 Lumens	2000L	
3000 Lumens	3000L	
color temperature		
3000K	30K	
3500K	35K	
4000K	40K	
distribution	WW	
Wall Wash	WW	
voltage		
120V	120	
277V	277	
driver		
0-10V - 1% Dimming	L11	
0-10V - 0% Dimming	LZ1	
DALI - 1% Dimming	D11	
DMX/RDM - 1% Dimming	X11	
Lutron A-Series	L3D	
1% EcoSystem Digital		
<small>(3000 Lumen - (2) drivers supplied (2) EcoSystem addresses consumed) (Consult factory for 3-wire control)</small>		
housing type	T	
Thermally Protected, Non-IC	T	
factory options		
Chicago Plenum	CP	
Emergency Battery Pack with Remote Test Switch	EMR	
<small>(Above ceiling access only)</small>		
trim ordering		
aperture	L66H	
6" Square Reflector	L66H	
trim type	SQ	
Square	SQ	
optic	WW	
Wall Wash	WW	
color	CD	
Clear Diffuse	CD	
flange finish		
White	WH	
Black	BK	
Titanium Silver	TS	
Aluminum Raw	AL	

6" AND 8" DOWNLIGHT

housing ordering

housing series		
ID+ 6" Round	FL6H	
ID+ 8" Round	FL8H	
trim type	RO	
Round Overlap	RO	
lumen output		
4000 Lumens	4000L	
5000 Lumens	5000L	
6000 Lumens	6000L	
<small>(FL6H - WFL & VWFL distributions only. Not available with L3D.)</small>		
7000 Lumens	7000L	
<small>(FL6H - NFL & FL distributions only. Not available with L3D.)</small>		
color temperature		
3000K	30K	
3500K	35K	
4000K	40K	
distribution		
Narrow Flood	NFL	
Flood	FL	
Wide Flood	WFL	
Very Wide Flood	VWFL	
voltage		
120V	120	
277V	277	
driver		
0-10V - 1% Dimming	L11	
0-10V - 0% Dimming	LZ1	
DALI - 1% Dimming	D11	
DMX/RDM - 1% Dimming	X11	
Lutron A-Series	L3D	
1% EcoSystem Digital		
<small>((2) drivers supplied (2) EcoSystem addresses consumed) (Consult factory for 3-wire control)</small>		
housing type	T	
Thermally Protected, Non-IC	T	
factory options		
Chicago Plenum	CP	
Emergency Battery Pack with Remote Test Switch	EMR	
<small>(Above ceiling access only Not available with Sloped Ceiling Kits)</small>		
trim ordering		
aperture		
6" Round Reflector	L6H	
8" Round Reflector	L8H	
trim type	RD	
Round	RD	
optic	DN	
Downlight	DN	
color	CD	
Clear Diffuse	CD	
flange finish		
Non-Painted	NP	
White Painted	WP	

accessories

(Leave blank for standard ceiling applications)

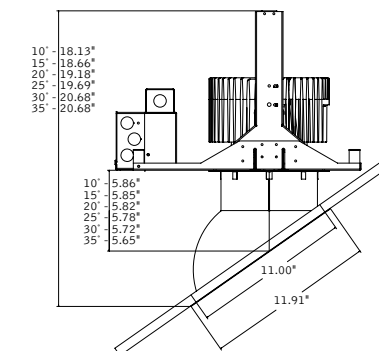
10° Sloped Ceiling Kit	FL6H/10SC	
	FL8H/10SC	
15° Sloped Ceiling Kit	FL6H/15SC	
	FL8H/15SC	
20° Sloped Ceiling Kit	FL6H/20SC	
	FL8H/20SC	
25° Sloped Ceiling Kit	FL6H/25SC	
	FL8H/25SC	
30° Sloped Ceiling Kit	FL6H/30SC	
	FL8H/30SC	
35° Sloped Ceiling Kit	FL6H/35SC	
	FL8H/35SC	

6" AND 8" WALL WASH

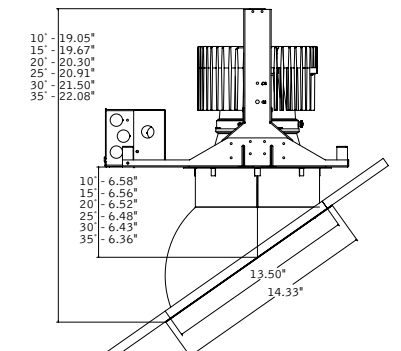
housing ordering

housing series		
ID+ 6" Round	FL6H	
ID+ 8" Round	FL8H	
trim type	RO	
Round Overlap	RO	
lumen output		
2000 Lumens	2000L	
3000 Lumens	3000L	
4000 Lumens	4000L	
<small>(FL8H only. Not available with L3D)</small>		
color temperature		
3000K	30K	
3500K	35K	
4000K	40K	
distribution	WW	
Wall Wash	WW	
voltage		
120V	120	
277V	277	
driver		
0-10V - 1% Dimming	L11	
0-10V - 0% Dimming	LZ1	
DALI - 1% Dimming	D11	
DMX/RDM - 1% Dimming	X11	
Lutron A-Series	L3D	
1% EcoSystem Digital		
<small>((2) drivers supplied (2) EcoSystem addresses consumed) (Consult factory for 3-wire control)</small>		
housing type	T	
Thermally Protected, Non-IC	T	
factory options		
Chicago Plenum	CP	
Emergency Battery Pack with Remote Test Switch	EMR	
<small>(Above ceiling access only)</small>		
trim ordering		
aperture		
6" Round Reflector	L6H	
8" Round Reflector	L8H	
trim type	RD	
Round	RD	
optic	WW	
Wall Wash	WW	
color	CD	
Clear Diffuse	CD	
flange finish		
Non-Painted	NP	
White Painted	WP	

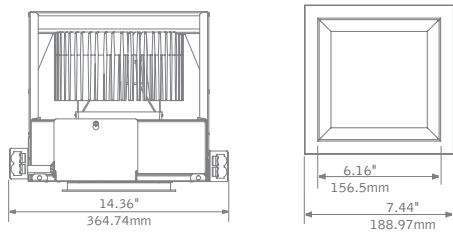
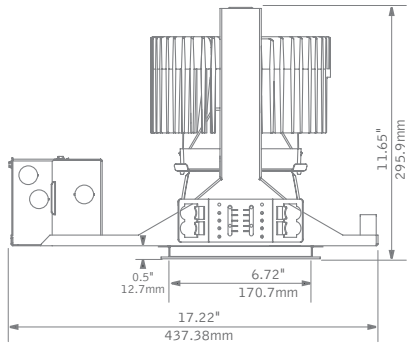
6" Round Sloped Ceiling



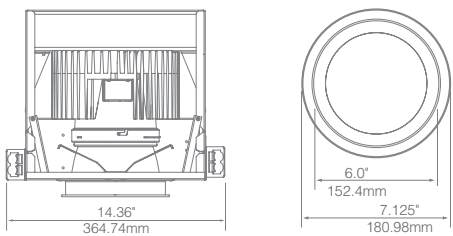
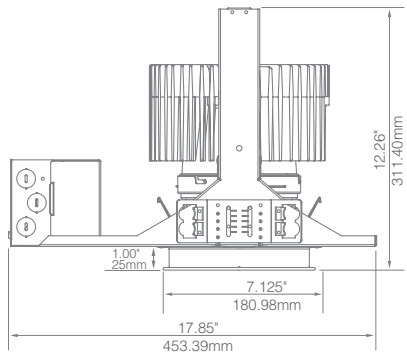
8" Round Sloped Ceiling



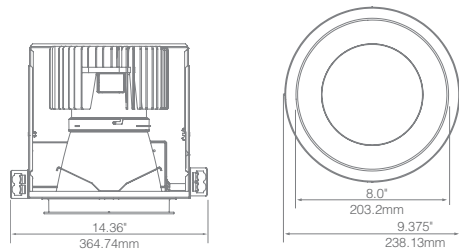
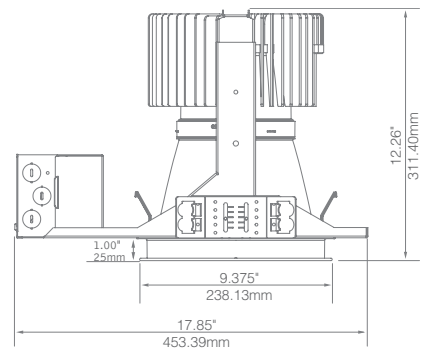
6" x 6" SQUARE TECHNICAL SPECIFICATIONS



6" ROUND TECHNICAL SPECIFICATIONS



8" ROUND TECHNICAL SPECIFICATIONS



THE
ART OF
LIGHT®

 Follow @focalpointlight

Applications are for inspiration only. Some images do not depict actual ID+ High Ceiling installations.

©2015 Focal Point, LLC. 4141 S. Pulaski Road, Chicago, IL 60632 T 773.247.9494 | www.focalpointlights.com All rights reserved. "Focal Point", "The Art of Light", "ID+" and the light-ray graphic are trademarks or registered trademarks of Focal Point, LLC. Visit www.focalpointlights.com for specification and other details on our entire catalog.