

Focus™ Wall Wash

FWSL






FOCAL POINT®

BEFORE YOU BEGIN

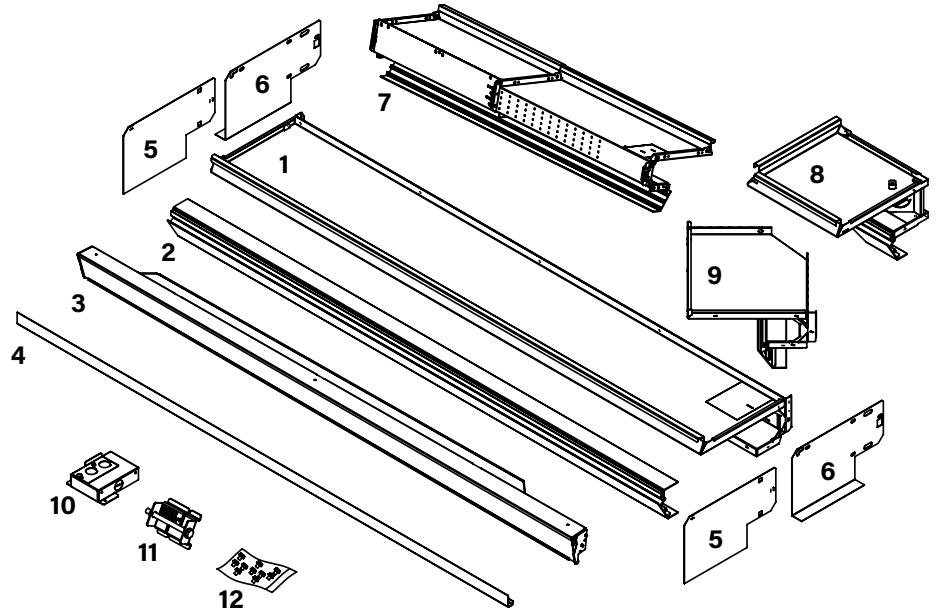
- Luminaires must be installed by a qualified electrician (check with local and national codes for proper installation).
- To prevent electrical shock, disconnect electrical supply before installation or servicing.
- Contractor is responsible for adequately reinforcing walls and/or ceilings to support fixture weight.
- Focal Point, LLC accepts no responsibility for inadequately reinforced walls and/or ceilings.
- The information contained in this drawing is the sole property of Focal Point, LLC. Any reproduction in part or whole without the written permission of Focal Point, LLC is prohibited.

INSTRUCTION KEY


-  **ATTENTION**
-  **SEE ADDITIONAL INSTRUCTIONS**
-  **POWER OFF**
-  **POWER ON**

COMPONENT KEY

PARTS LIST




- | | |
|------------------------------------|--|
| 1 HOUSING | 12 HARDWARE BAG |
| 2 SPLAY | SLIDING SLEEVE LOCK & SPLAY, ENDCAPS, J-BOX SCREW (72010) (8-18 SCREW) |
| 3 LIGHT MODULE | JOINER SCREW (72066) |
| 4 J-RAIL | JOINER TO SPLAY SCREW (72023) (6-32 1/4 SCREW) |
| 5 END CAP | HOUSING JOINER SCREW (700168) (SCR,10-32X1 PHL PAN MS FST SCREW) |
| 6 FLANGED END CAP (FACTORY OPTION) | HOUSING JOINER NUT (72068) (NUT KEPS 10-32) |
| 7 SLIDING SLEEVE & SPLAY | |
| 8 INSIDE CORNER (FACTORY OPTION) | |
| 9 OUTSIDE CORNER (FACTORY OPTION) | |
| 10 J-BOX | |
| 11 JOINER BRACKET | |



**BASIC INSTALLATION
STEPS 1-11**

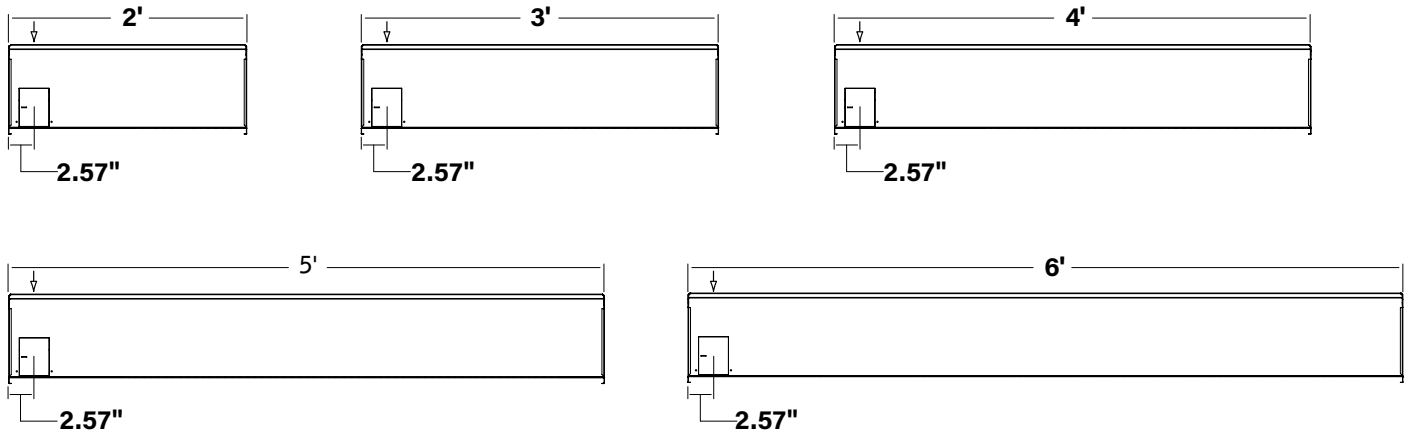
SLIDING SLEEVES SEE **PAGE 4**
LED MODULES SEE **PAGE 5**
CORNERS SEE **PAGE 6**
EMERGENCY CIRCUIT SEE **PAGE 7**



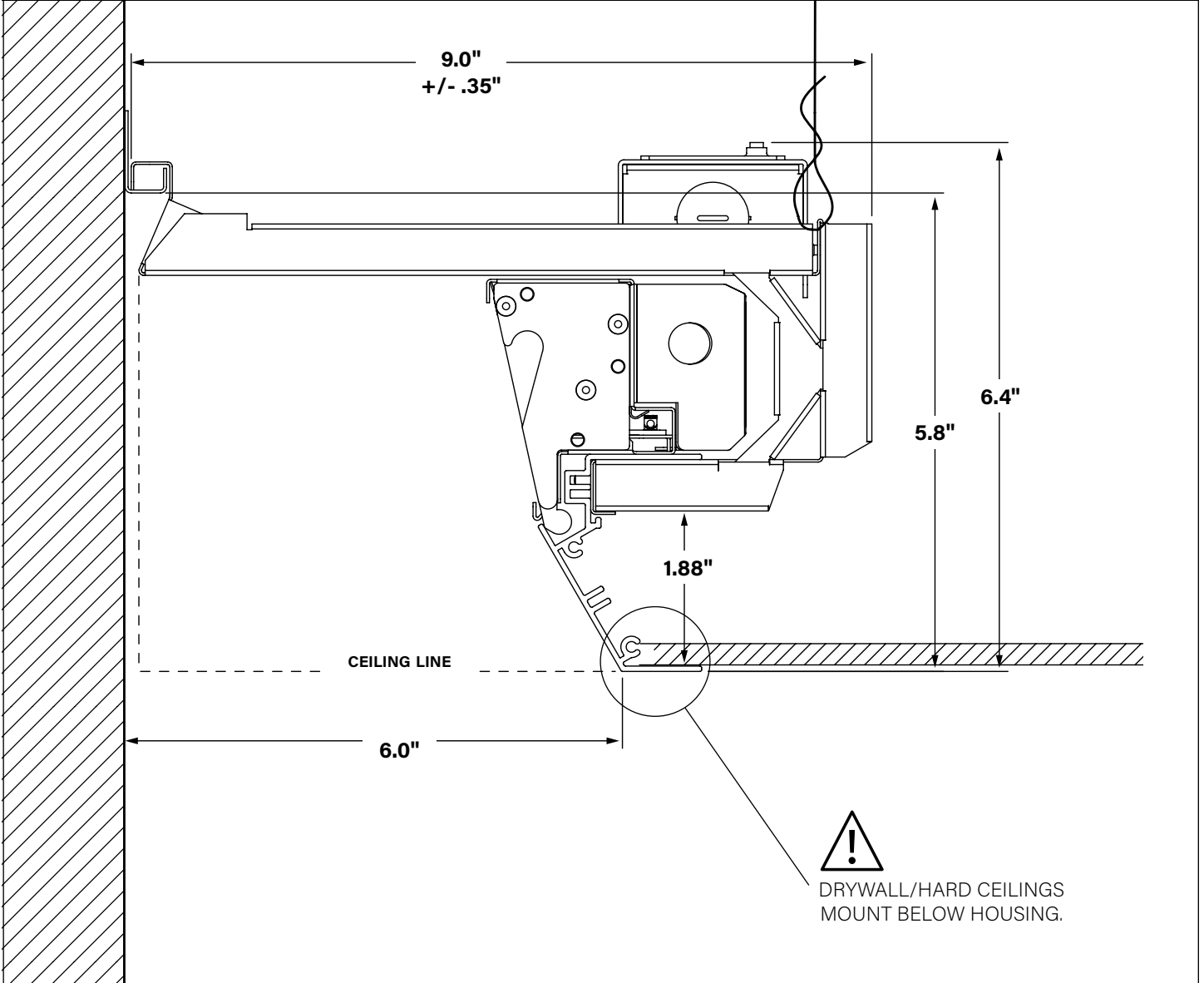
FOCAL POINT RECOMMENDS
STARTING WITH INSIDE CORNER
INSTALLATION IF APPLICABLE

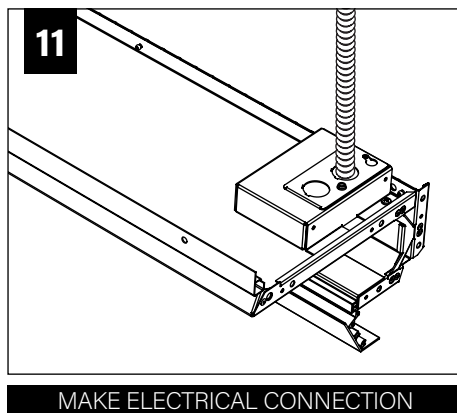
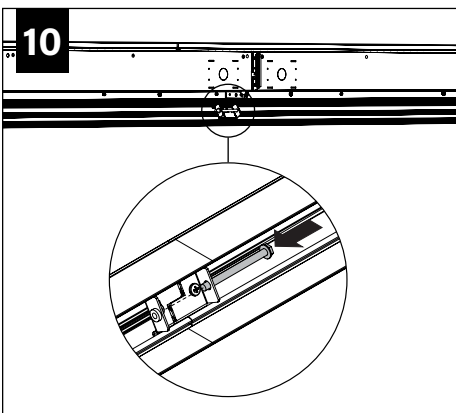
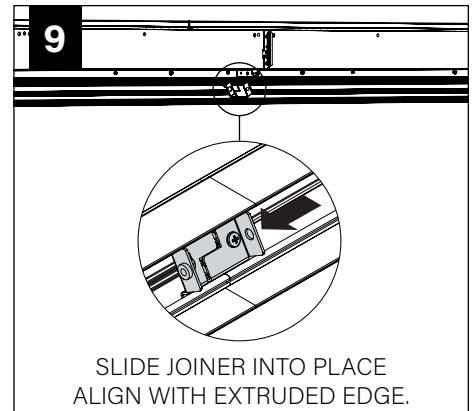
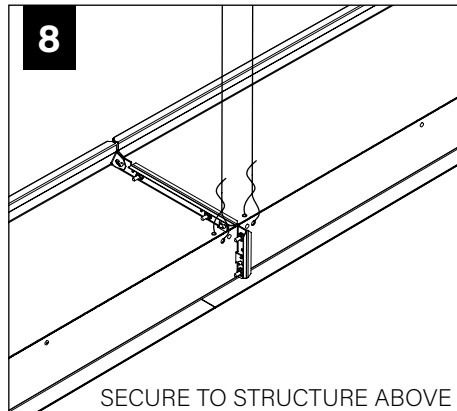
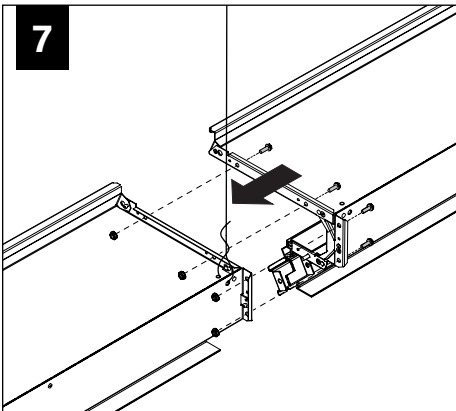
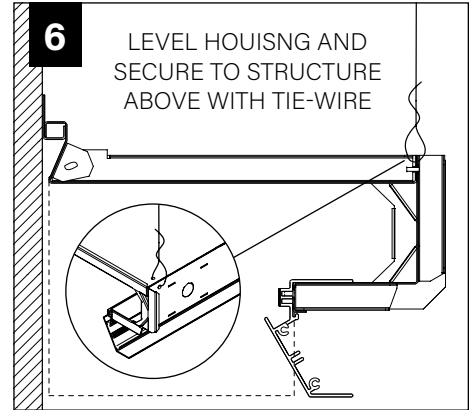
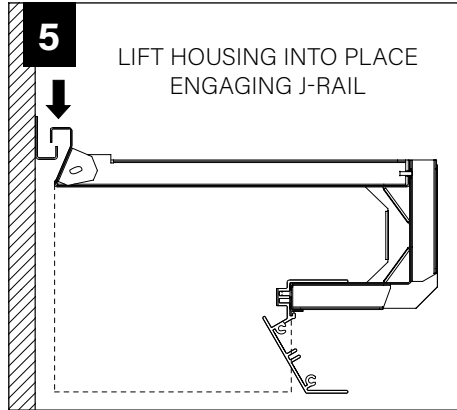
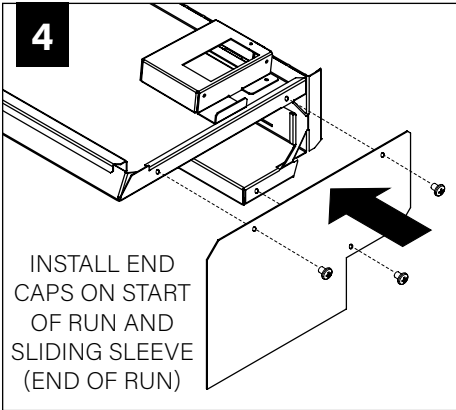
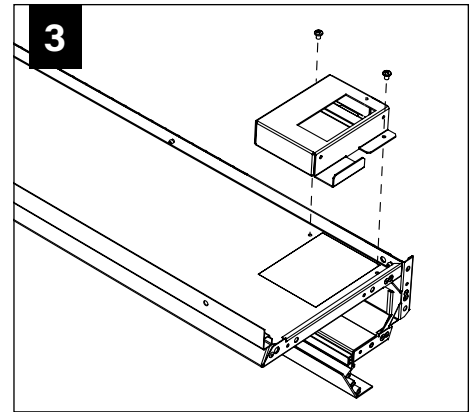
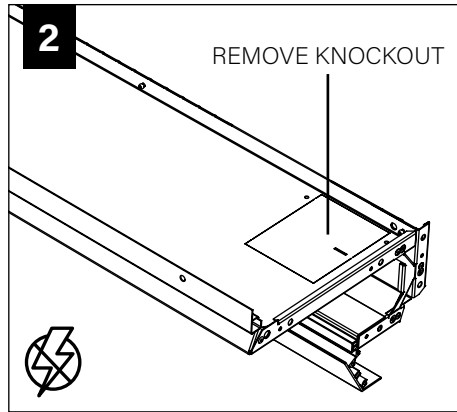
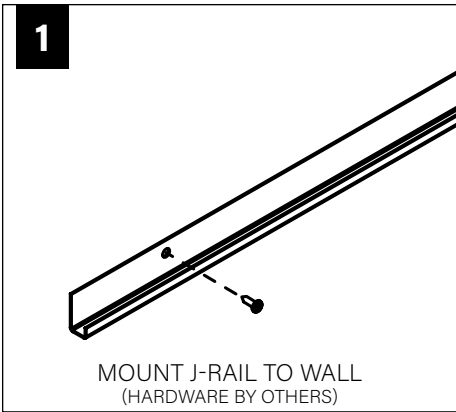
FEED LOCATIONS

↓ INDICATES FEED LOCATION



WALL / CEILING PREP

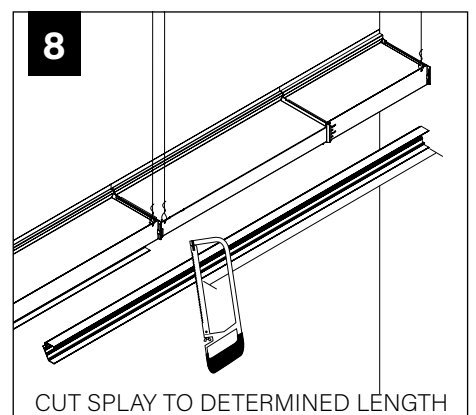
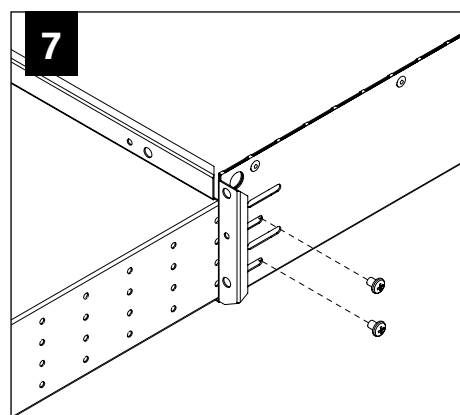
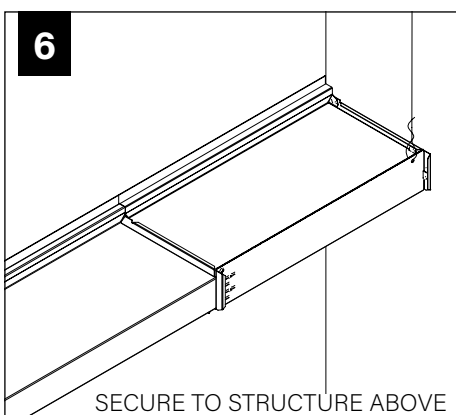
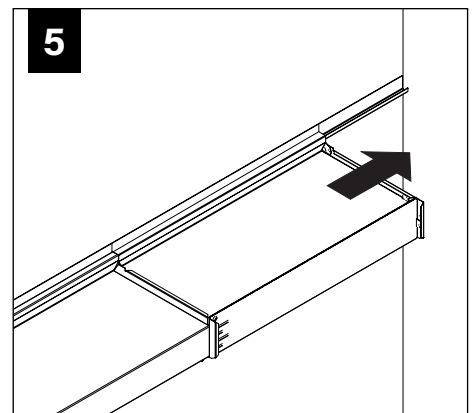
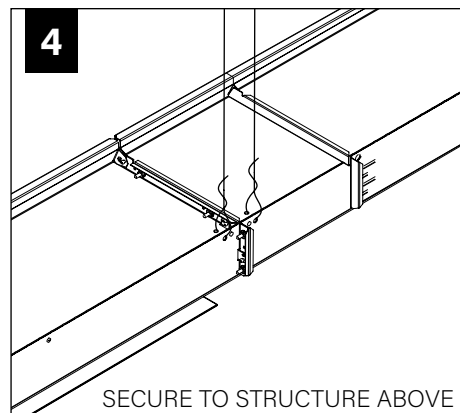
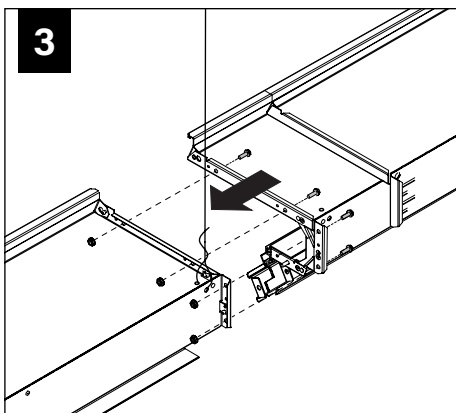
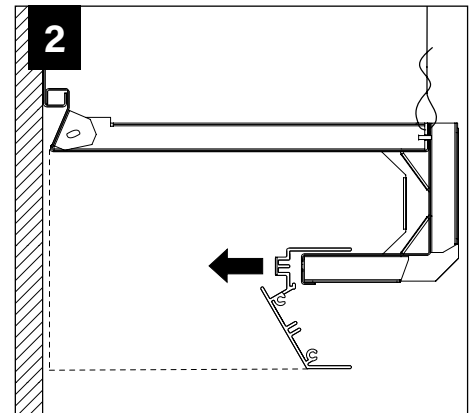
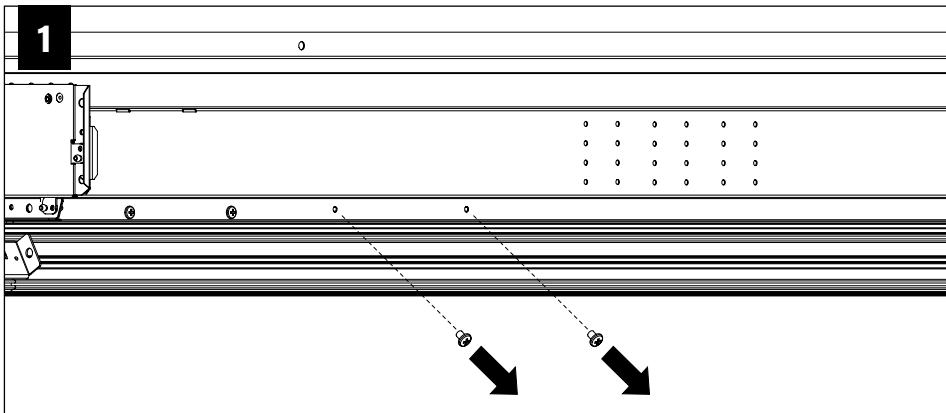
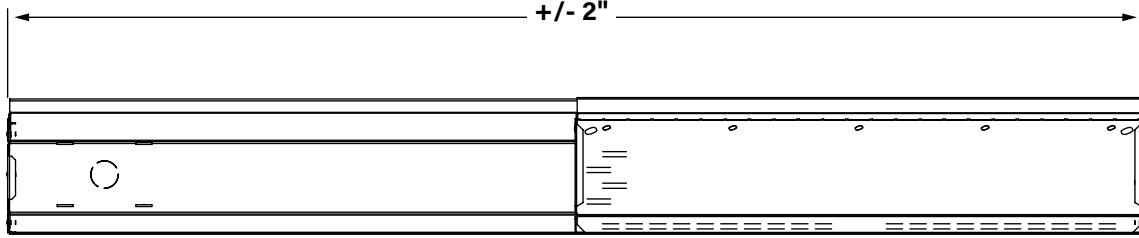


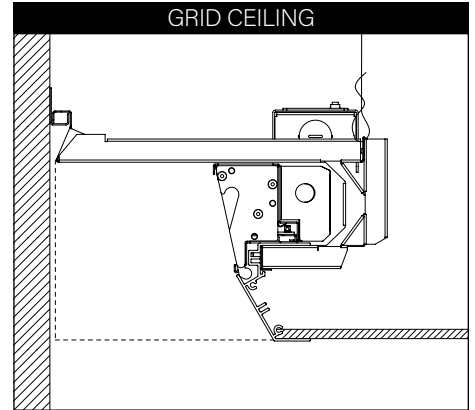
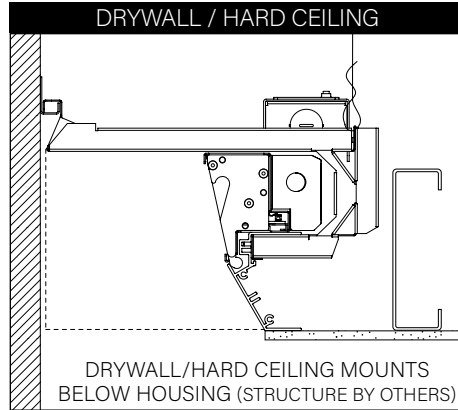
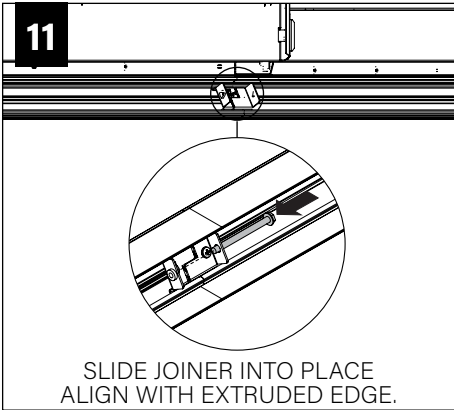
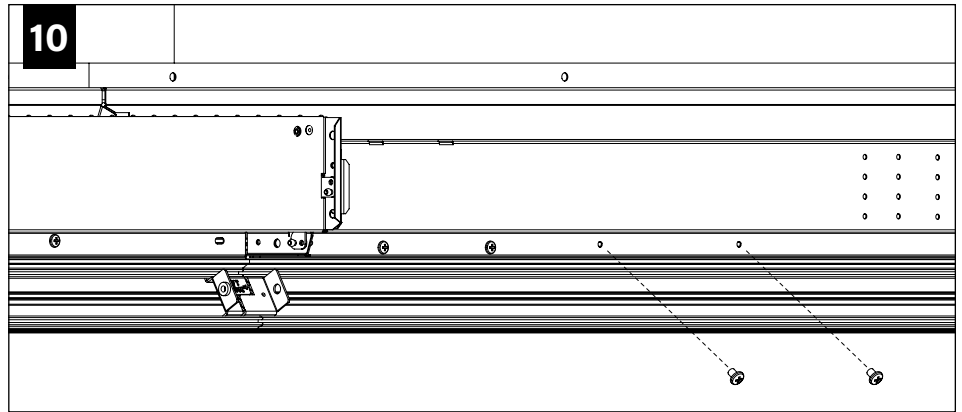
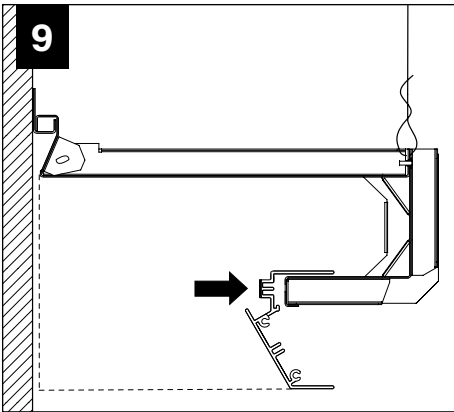


SLIDING SLEEVES

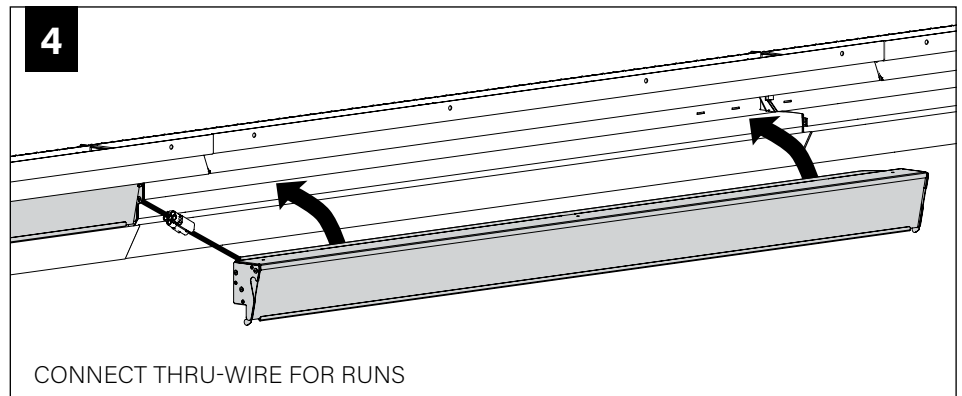
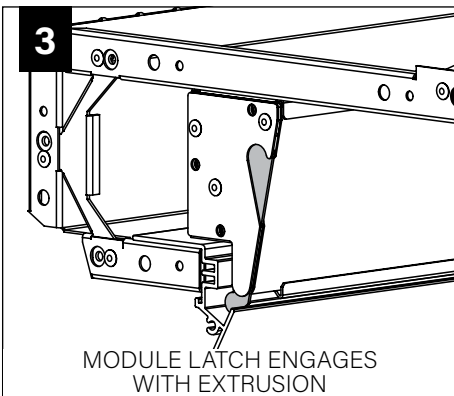
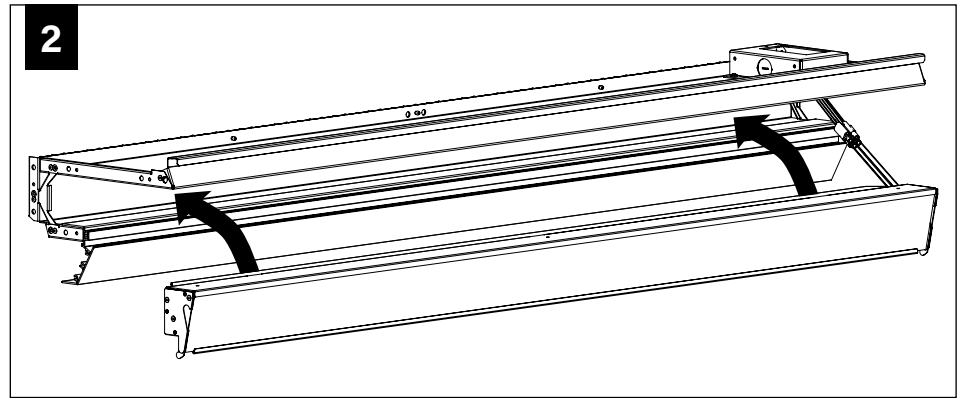
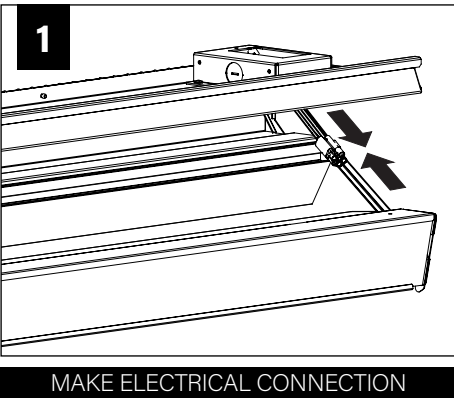
SLIDING SLEEVE

+/- 2"

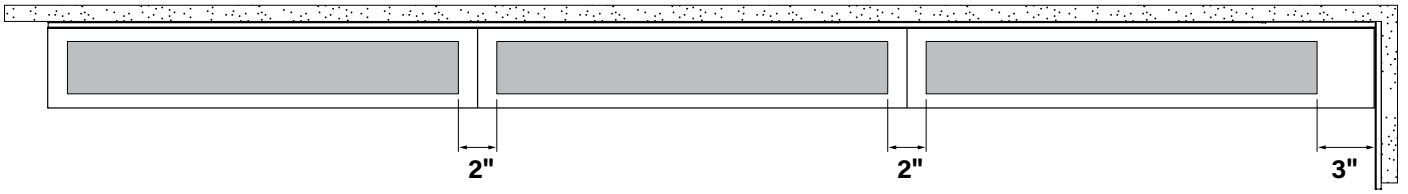




LED MODULE

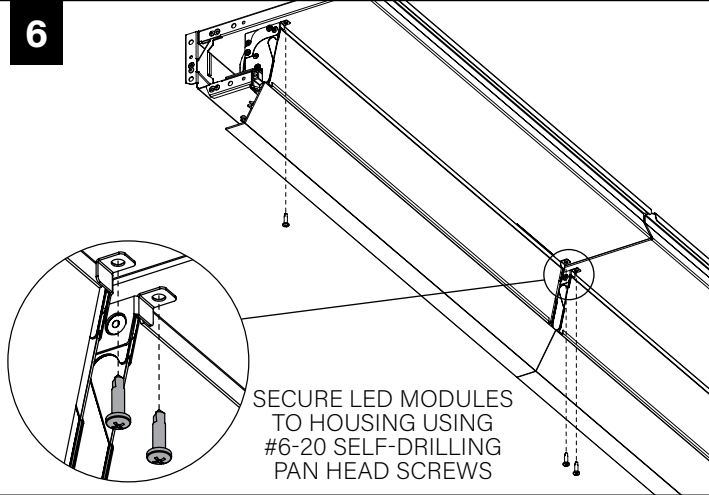


5



POSITION LED MODULES 2" MAX FROM ONE ANOTHER AND 3" MAX FROM WALL

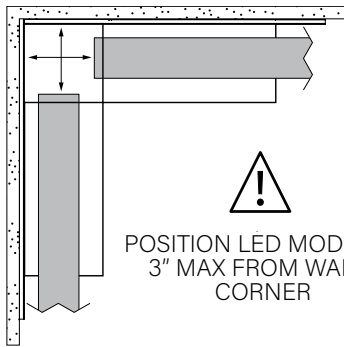
6



SECURE LED MODULES TO HOUSING USING #6-20 SELF-DRILLING PAN HEAD SCREWS

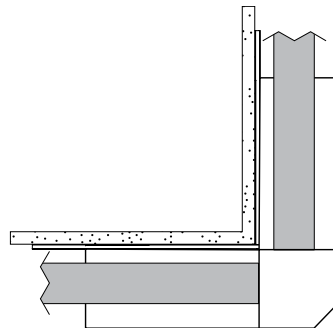
CORNERS

INSIDE CORNER:



POSITION LED MODULES 3" MAX FROM WALL/ CORNER

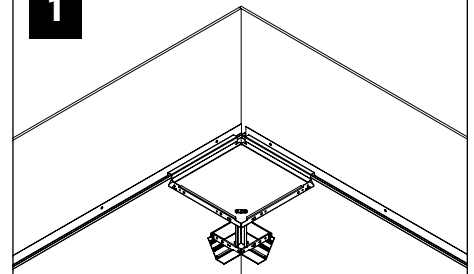
OUTSIDE CORNER:



INSIDE CORNER

1

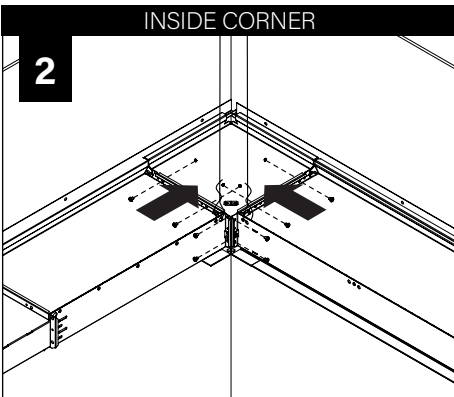
START WITH INSIDE CORNER INSTALLATION



LIFT CORNER INTO PLACE ENGAGING J-RAIL

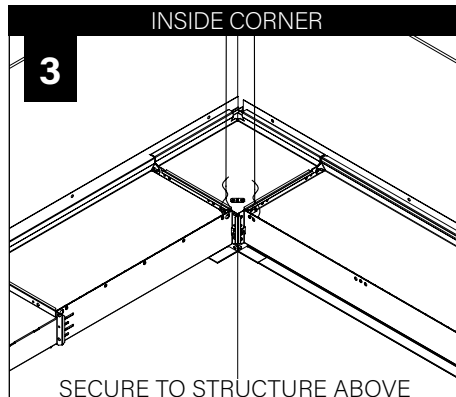
INSIDE CORNER

2



INSIDE CORNER

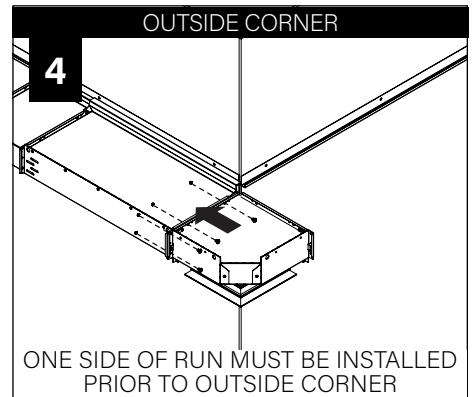
3



SECURE TO STRUCTURE ABOVE

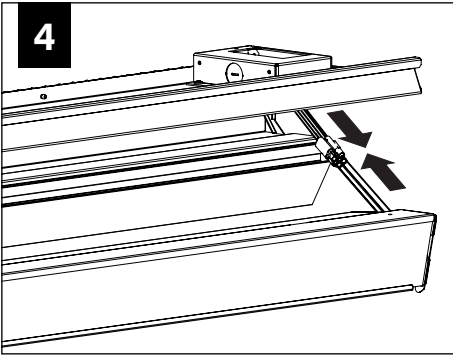
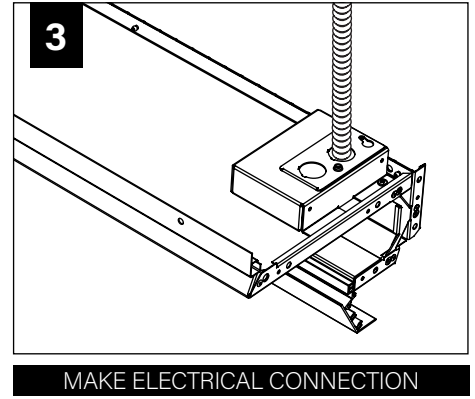
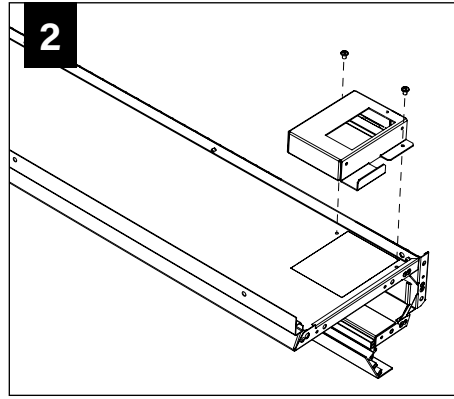
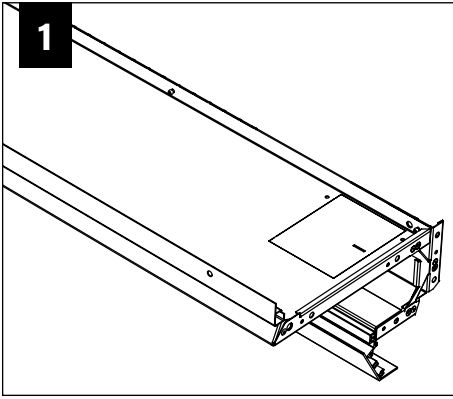
OUTSIDE CORNER

4



ONE SIDE OF RUN MUST BE INSTALLED PRIOR TO OUTSIDE CORNER

EMERGENCY CIRCUIT



MAKE ELECTRICAL CONNECTION

EMERGENCY



SEE BATTERY MANUFACTURER
INSTRUCTIONS

EMERGENCY MAXIMUM MOUNTING HEIGHT:
12.00'

DRIVER SERVICE

