

Veer® led

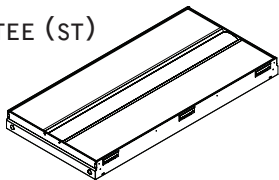
FVRL-14 | FVRL-22 | FVRL-24



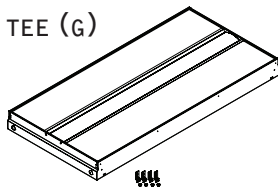
⚠️ AVOID ALL CONTACT WITH LED SURFACE, LEDs ARE EASILY DAMAGED!

FOCAL POINT

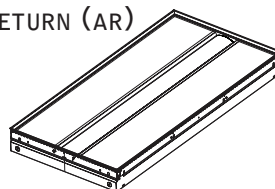
SLOT TEE (ST)



FLAT TEE (G)



AIR RETURN (AR)



KEY



POWER OFF

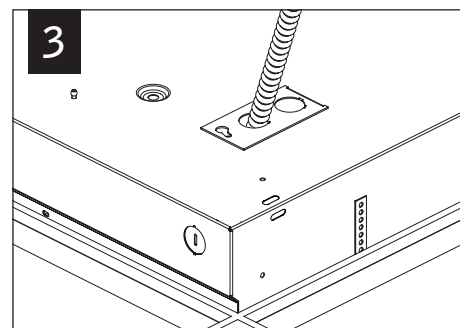
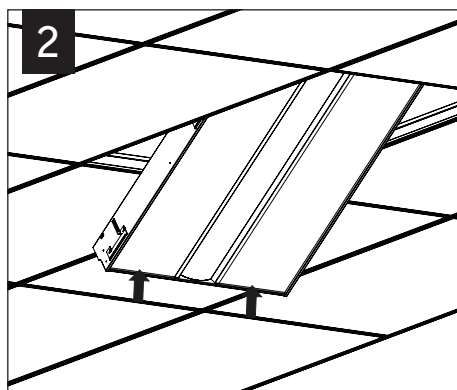
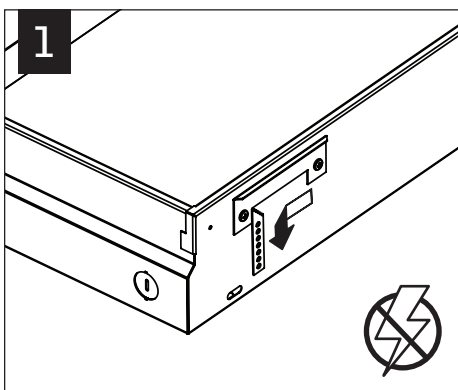


POWER ON

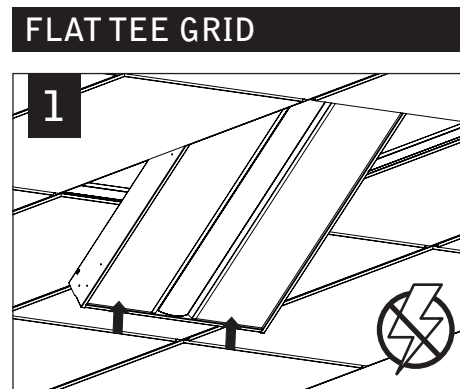
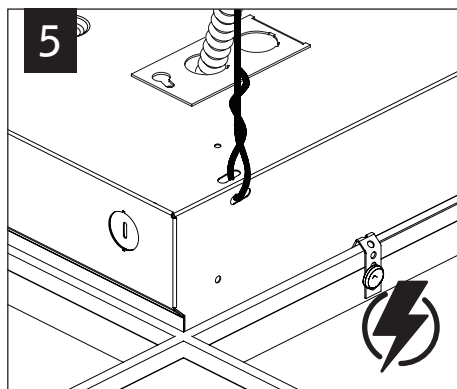
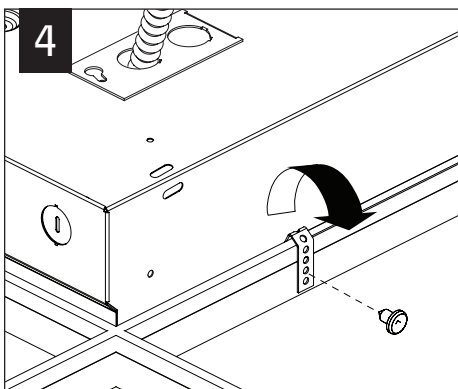


ATTENTION

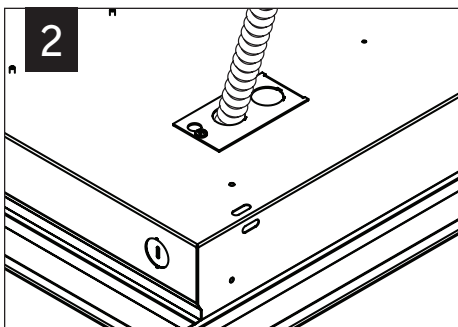
SLOT TEE GRID



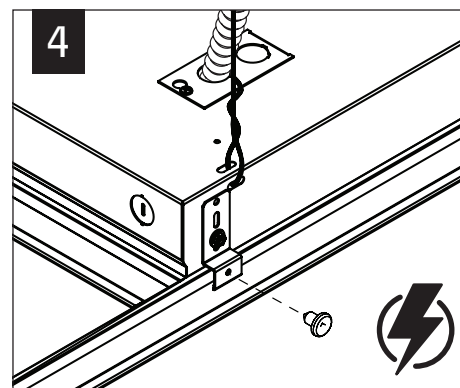
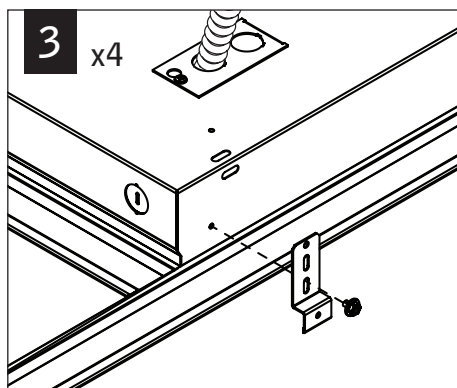
MAKE ELECTRICAL CONNECTIONS



FLAT TEE GRID

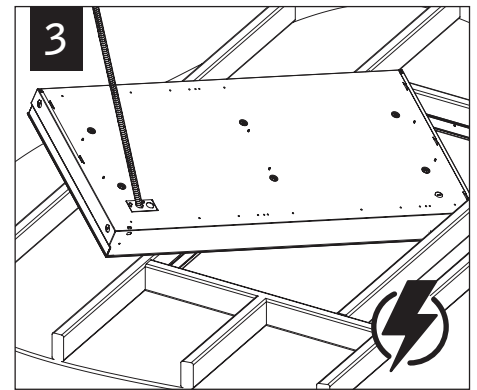
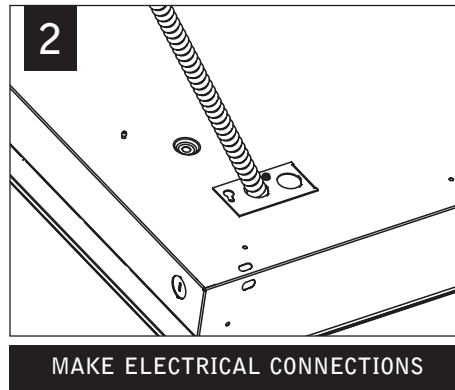
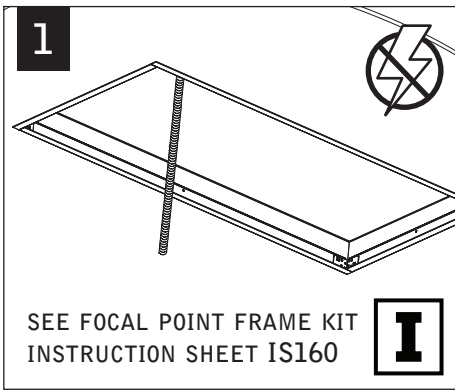


MAKE ELECTRICAL CONNECTIONS

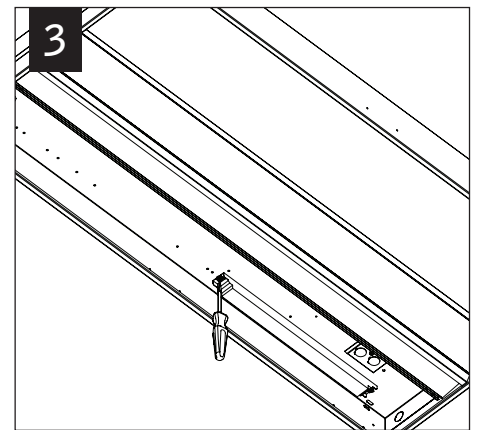
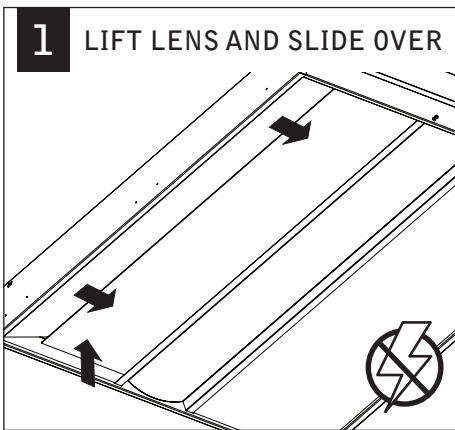


Luminaires must be installed by a qualified electrician (check with local and national codes for proper installation).
To prevent electrical shock, disconnect electrical supply before installation or servicing.

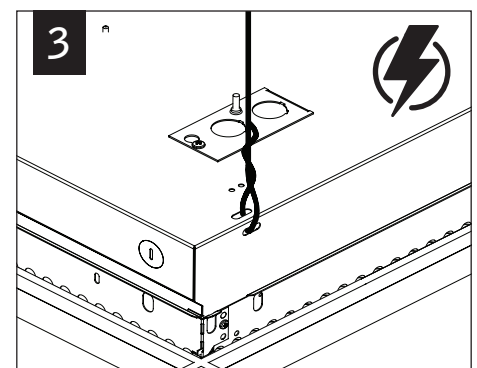
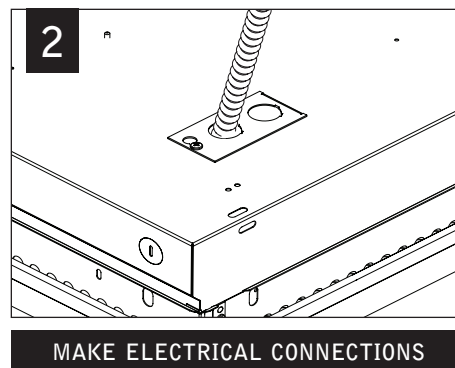
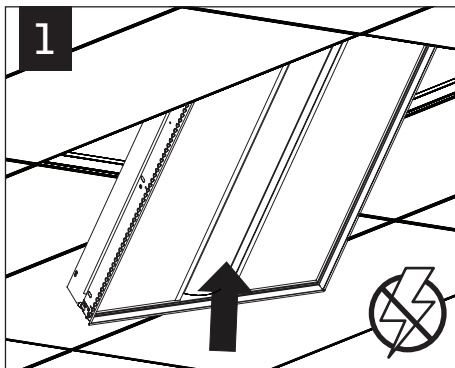
DRYWALL INSTALLATION



SERVICE



AIR RETURN INSTALLATION



Luminaires must be installed by a qualified electrician (check with local and national codes for proper installation).
To prevent electrical shock, disconnect electrical supply before installation or servicing.

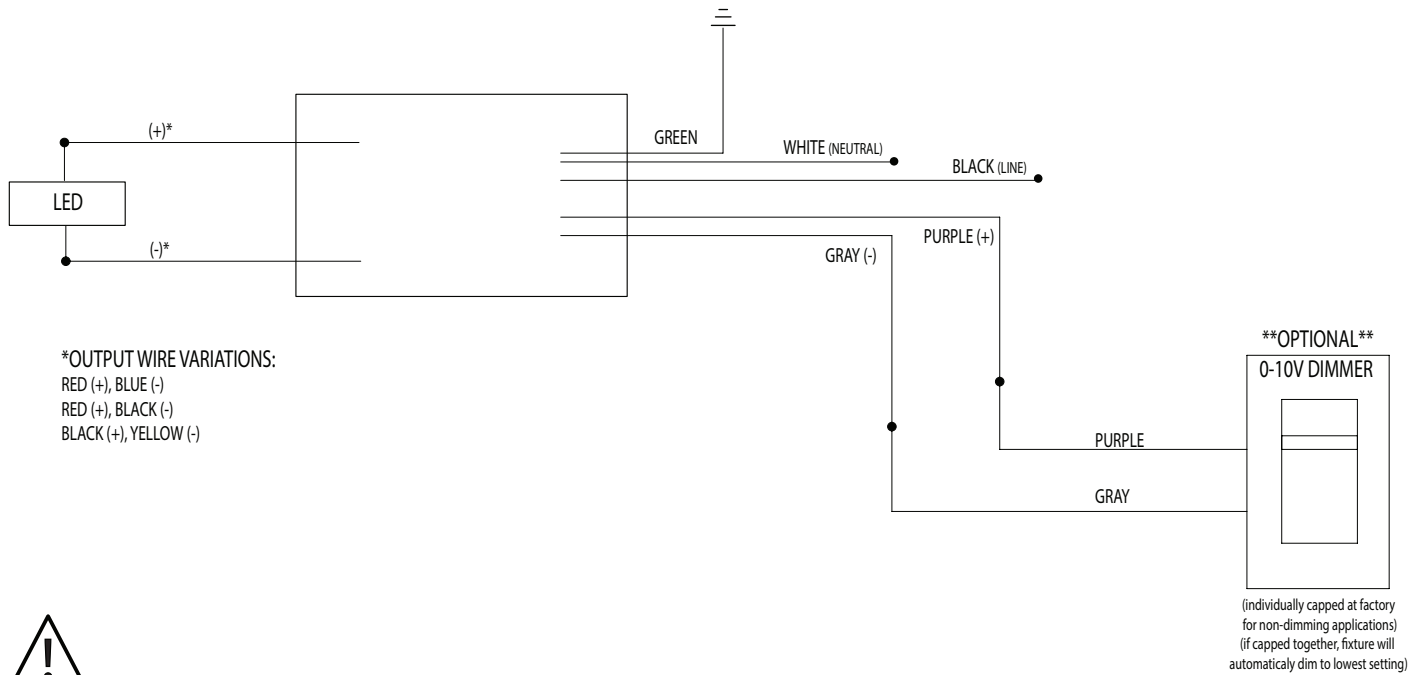
EMERGENCY



SEE BATTERY MANUFACTURER
INSTRUCTIONS

EMERGENCY MAXIMUM MOUNTING HEIGHT:
18.00'

0-10V DIMMING & NON-DIMMING STANDARD WIRING



REFERENCE DRIVER MANUFACTURER'S SPEC SHEETS FOR DRIVER SPECIFIC WIRING DIAGRAMS.
EMERGENCY LUMINAIRE WIRED ACCORDING TO BATTERY MANUFACTURER'S INSTRUCTIONS.