

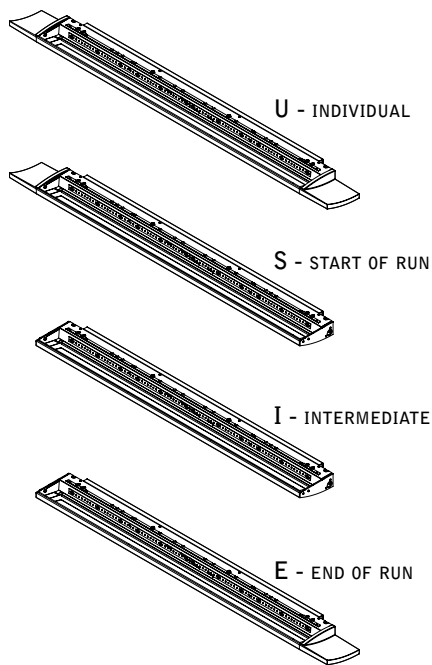
verve™ IV led wall mount

FV4LW



FOCAL POINT®

FOCAL POINT



PARTS LISTS

HANGING KIT

- OVAL HEAD SCREW (72079)
- #8-32 DOME HEAD SCREW (72029)
- CANOPY (18431)
- MOUNTING PLATE (18430)

JOINING HARDWARE

- #8-32 DOME HEAD SCREW (72029)
- #8-32 KEPS NUT (71012)
- JOINER PLATE (18424)

KEY

- POWER OFF
- POWER ON
- ATTENTION

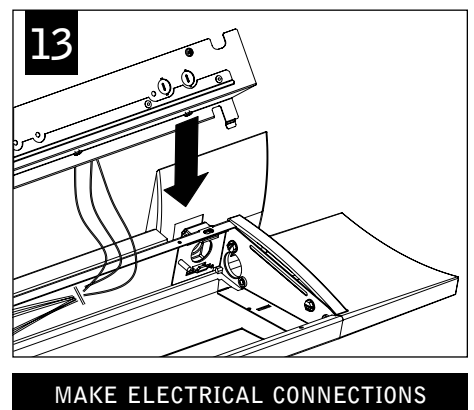
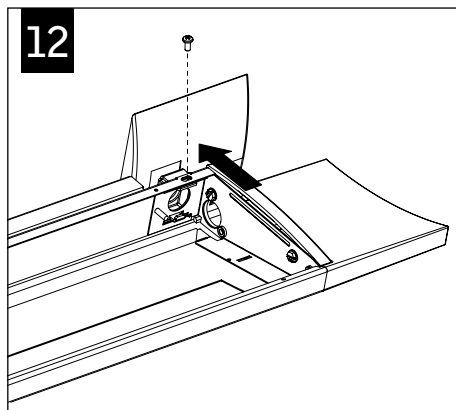
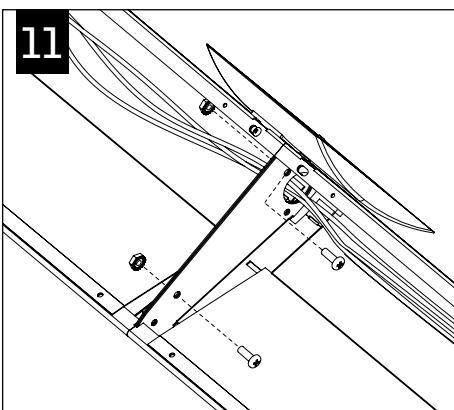
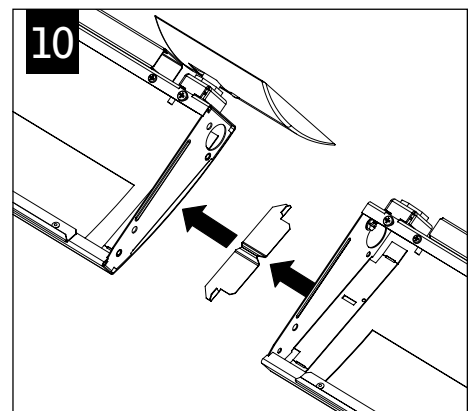
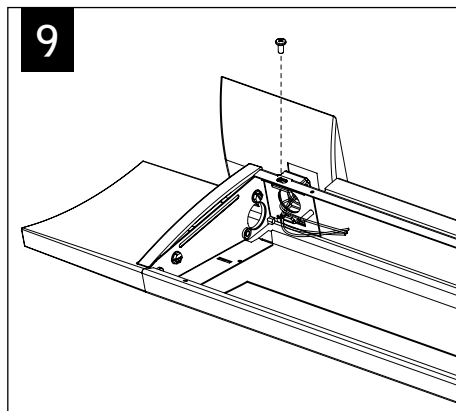
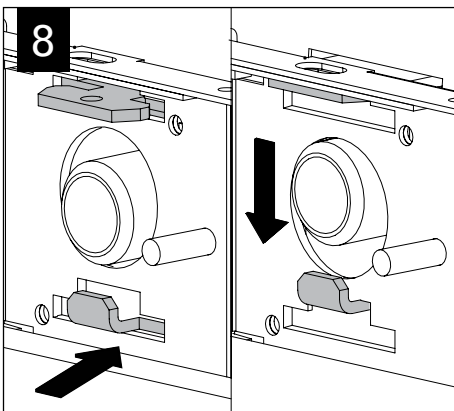
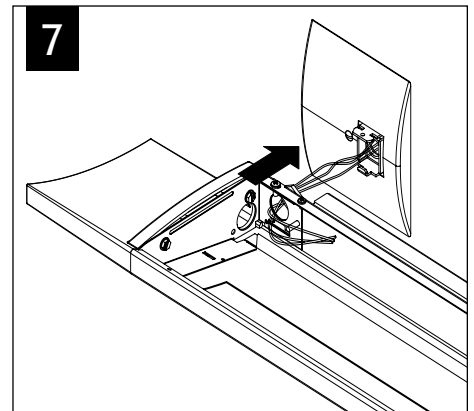
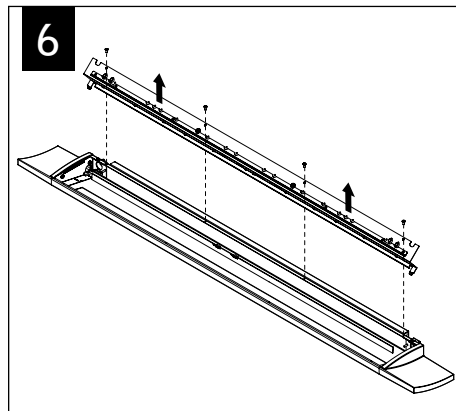
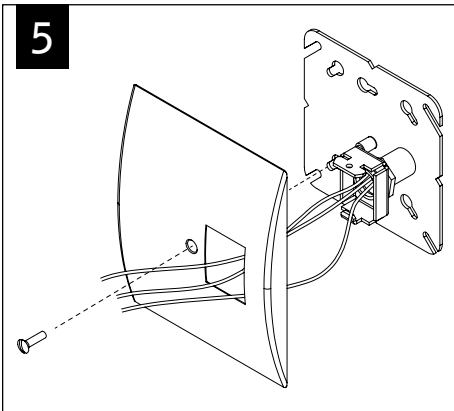
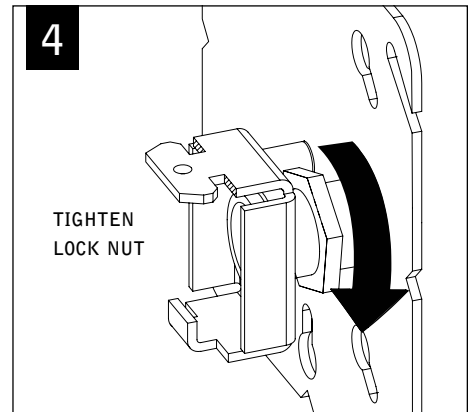
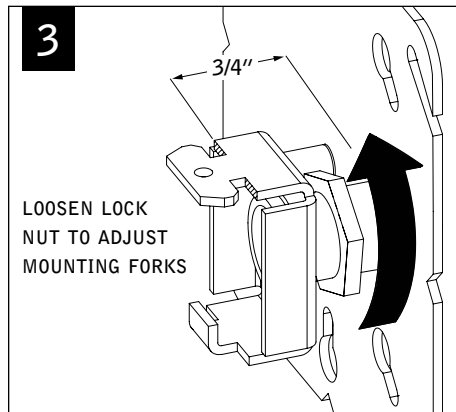
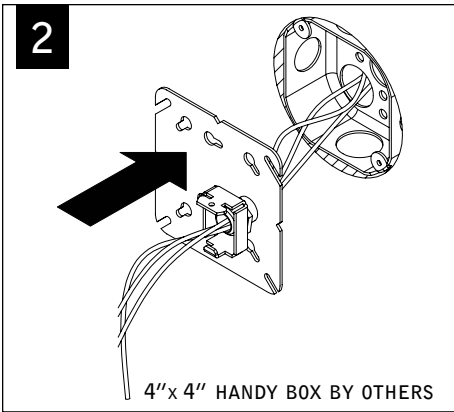
1

FIXTURE LENGTH	A	B	C	D	E	F
4'	4'-0"					
8'	8'-0"					
12'	4'-0"	4'-0"	4'-0"			
16'	8'-0"	8'-0"	-			
20'	8'-0"	4'-0"	8'-0"			
24'	8'-0"	8'-0"	8'-0"			
28'	8'-0"	8'-0"	8'-0"	4'-0"		
32'	8'-0"	8'-0"	8'-0"	8'-0"		
36'	8'-0"	8'-0"	8'-0"	8'-0"	4'-0"	
40'	8'-0"	8'-0"	8'-0"	8'-0"	8'-0"	
44'	8'-0"	8'-0"	8'-0"	8'-0"	8'-0"	4'-0"
48'	8'-0"	8'-0"	8'-0"	8'-0"	8'-0"	8'-0"

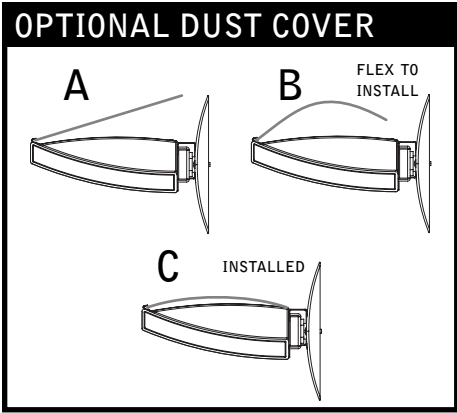
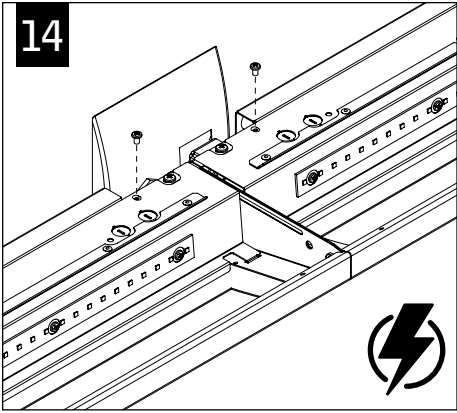
INSTALL LUMINAIRES FROM LEFT TO RIGHT. NOTE ORIENTATION OF INDIVIDUAL/START OF RUN MOUNTING PLATE.



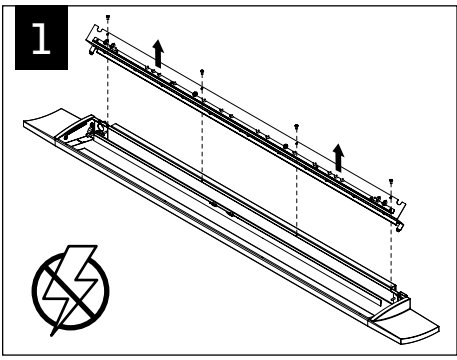
Luminaires must be installed by a qualified electrician (check with local and national codes for proper installation).
To prevent electrical shock, disconnect electrical supply before installation or servicing.



Luminaires must be installed by a qualified electrician (check with local and national codes for proper installation).
To prevent electrical shock, disconnect electrical supply before installation or servicing.



DRIVER SERVICE



Contractor is responsible for adequately reinforcing walls and/or ceilings to support luminaire weight. Focal Point, LLC accepts no responsibility for inadequately reinforced walls and/or ceilings. The information contained in this drawing is the sole property of Focal Point, LLC. Any reproduction in part or whole without the written permission of Focal Point, LLC is prohibited.