

Verve™ IV LED

FV4LS



FOCAL POINT®

BEFORE YOU BEGIN

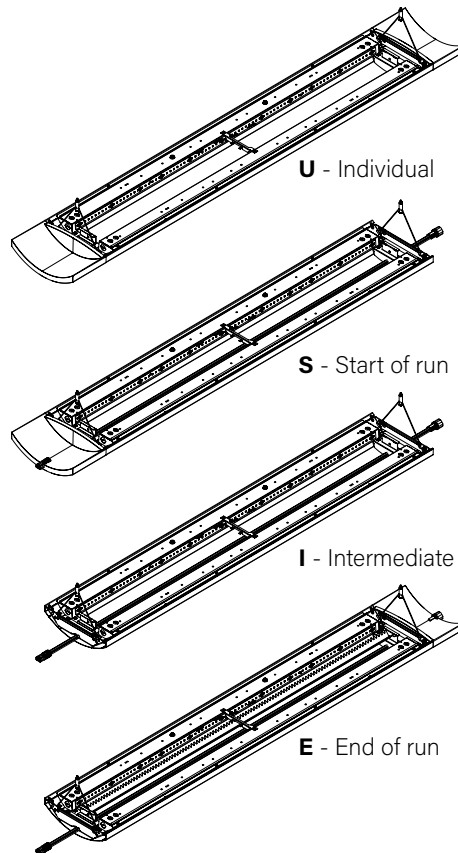
- Luminaires must be installed by a qualified electrician (check with local and national codes for proper installation).
- To prevent electrical shock, disconnect electrical supply before installation or servicing.
- Contractor is responsible for adequately reinforcing walls and/or ceilings to support fixture weight.
- Focal Point, LLC accepts no responsibility for inadequately reinforced walls and/or ceilings.
- The information contained in this drawing is the sole property of Focal Point, LLC. Any reproduction in part or whole without the written permission of Focal Point, LLC is prohibited.

INSTRUCTION KEY

- ATTENTION
- SEE ADDITIONAL INSTRUCTIONS
- POWER OFF
- POWER ON

COMPONENT KEY

FOCAL POINT



Optional dust cover
8.25" W (+/- .10")



LOCKING SCREW ALLOWS FOR Y-CABLE ADJUSTMENT

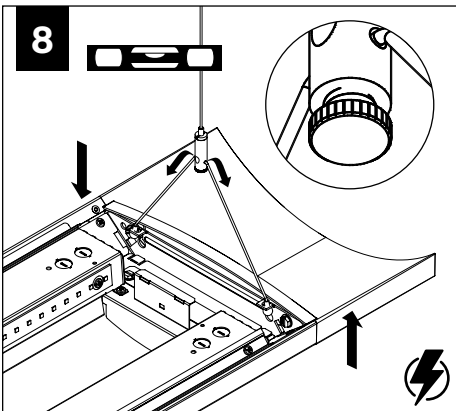
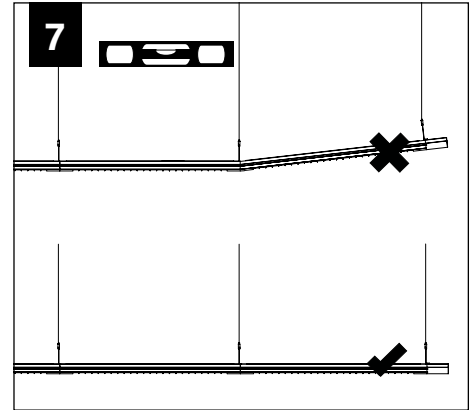
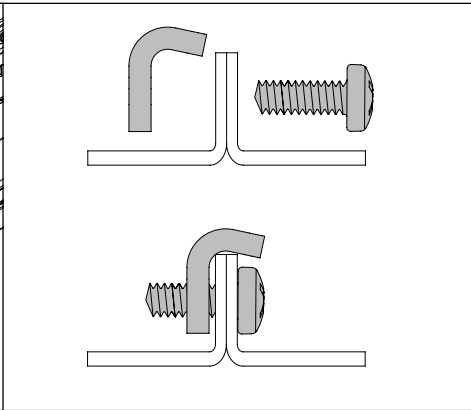
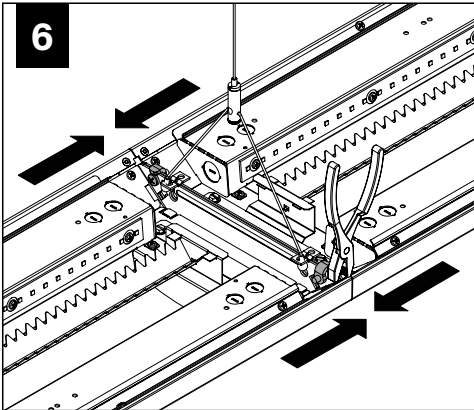
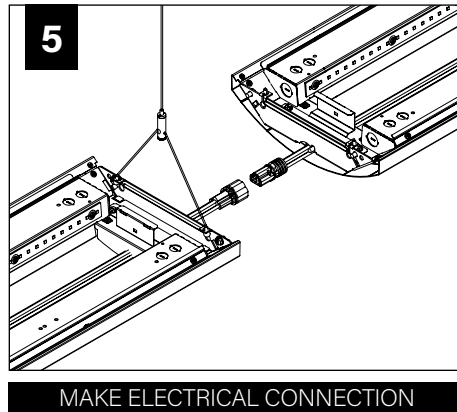
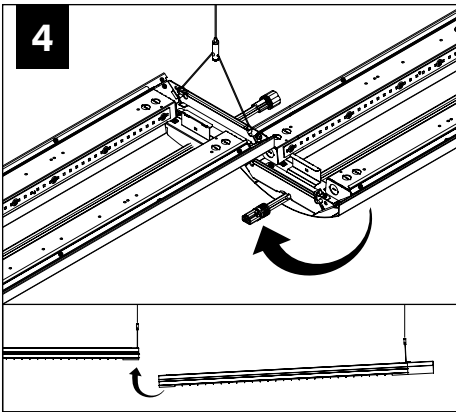
1

KEEP LUMINAIRE IN ORIGINAL CARTON UNTIL READY TO INSTALL. DO NOT REST ON THE GROUND.

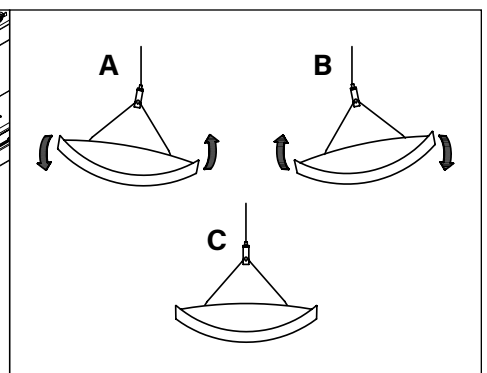
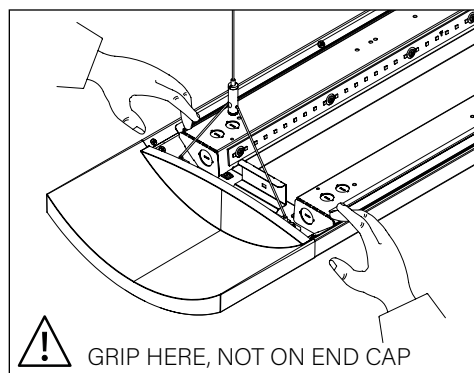
2

FOLLOW FOCAL POINT INSTRUCTIONS FOR UNIVERSAL SUSPENSION SYSTEM ASSEMBLY.
SEE IS0166

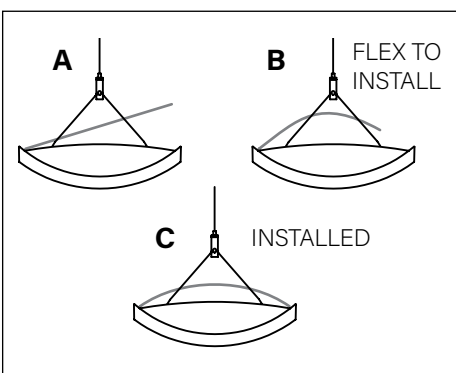
3



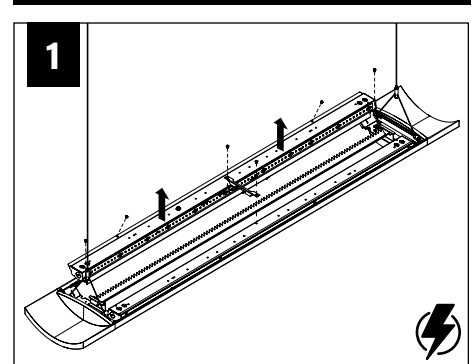
IF LUMINAIRE/RUN IS TWISTED



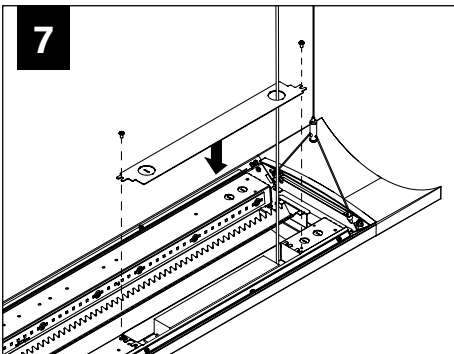
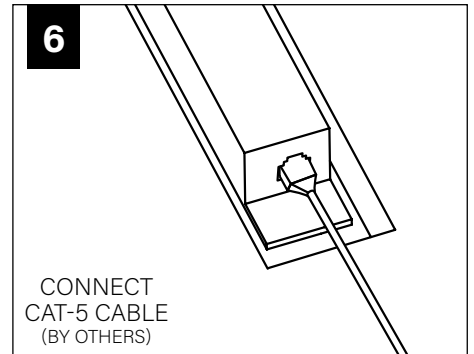
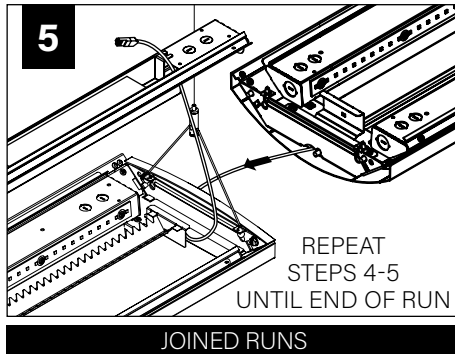
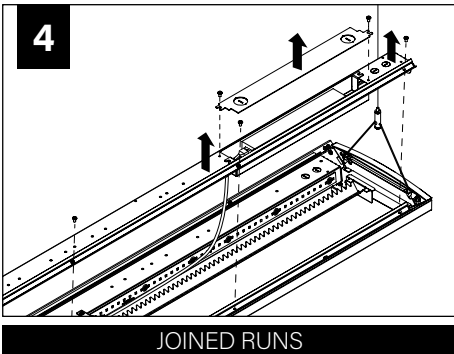
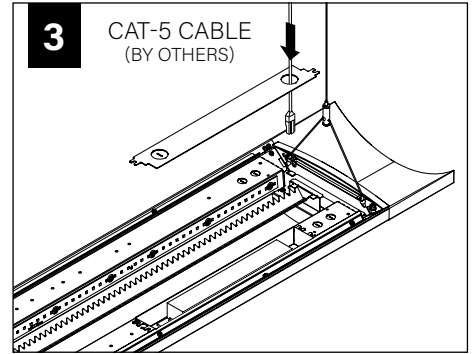
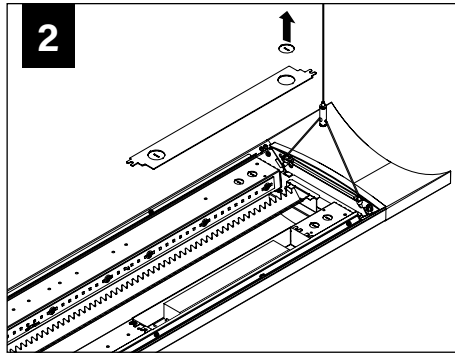
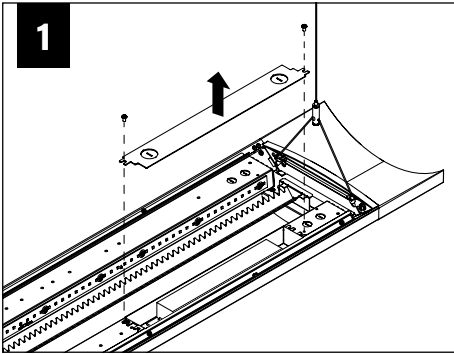
OPTIONAL DUST COVER



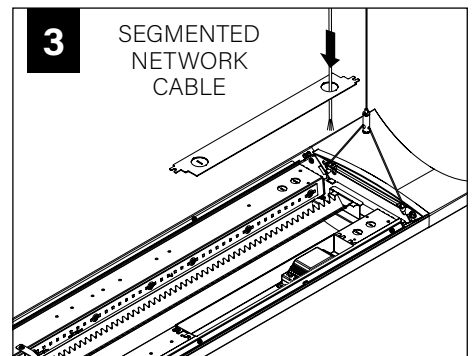
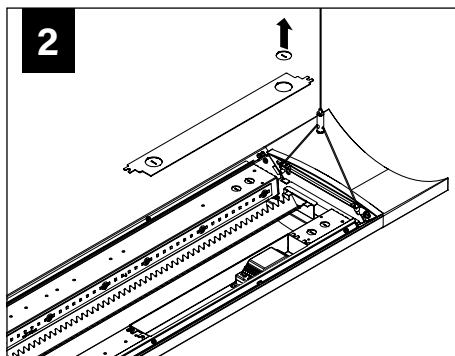
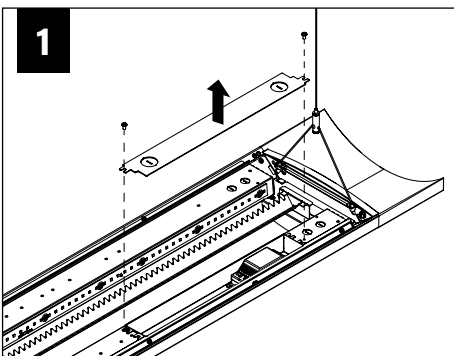
DRIVER SERVICE

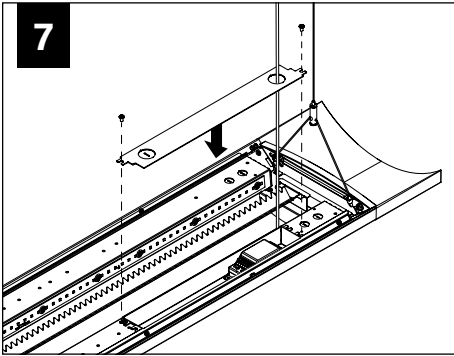
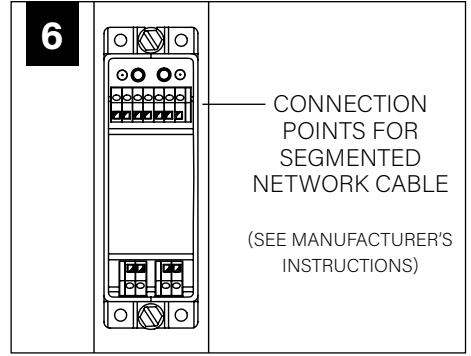
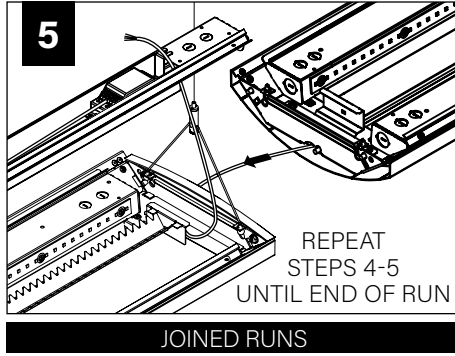
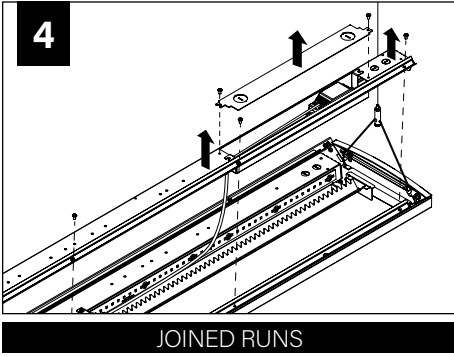


ACUITY nLIGHT



WATTSTOPPER





HUBBELL NX

