

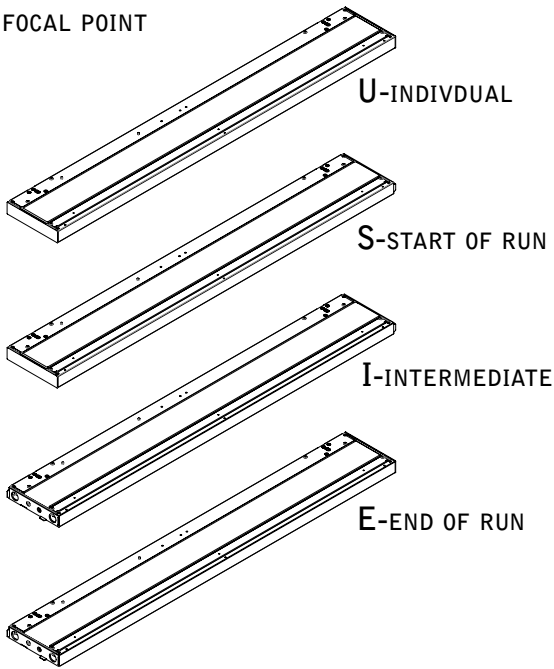
twelve™ led wall mount

FTWLW



FOCAL POINT®

FOCAL POINT

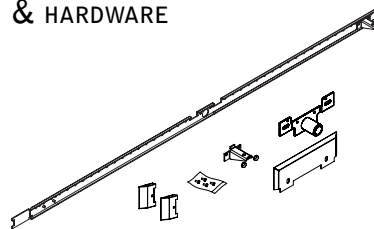


LUMINAIRE WEIGHTS

4' - 12LBS

8' - 23LBS

MOUNTING RAIL
& HARDWARE

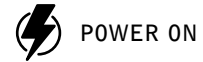


J-BOX & WALL FASTENERS
PROVIDED BY OTHERS

KEY



POWER OFF



POWER ON



LEVEL

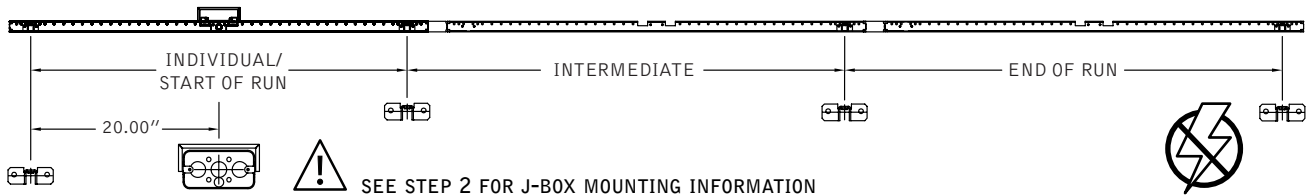


ATTENTION

1



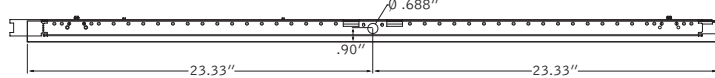
DIMENSIONS SHOWN ARE FROM THE ROOM SIDE OBSERVING THE WALL



SEE STEP 2 FOR J-BOX MOUNTING INFORMATION

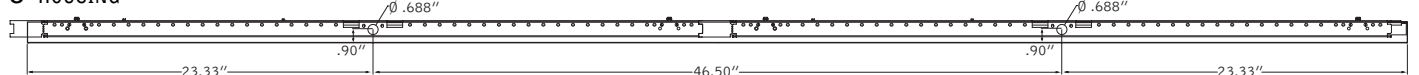
RUN LENGTH	WALL RAILS REQUIRED		
	INDIVIDUAL/START OF RUN	INTERMEDIATE(S)	END OF RUN
4'	1		
8'	2		
12'	2	1	
16'	2	2	
20'	2	1	2
24'	2	2	2
28'	2	4	1
32'	2	4	2

4' HOUSING

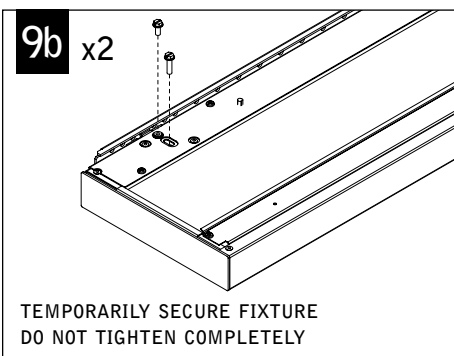
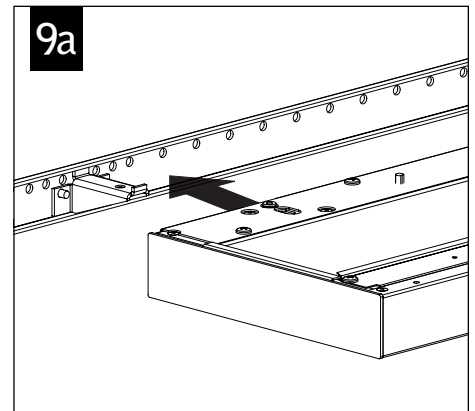
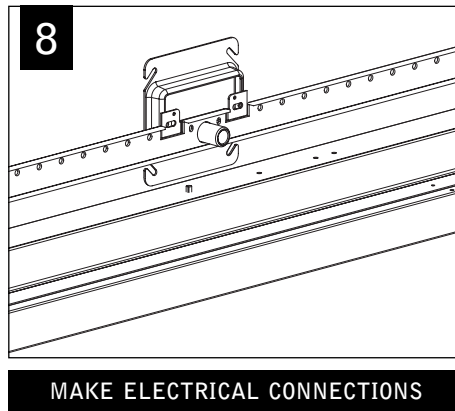
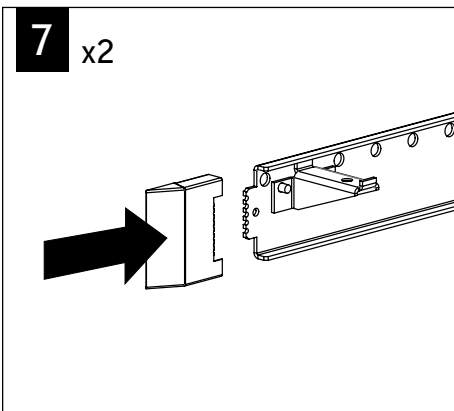
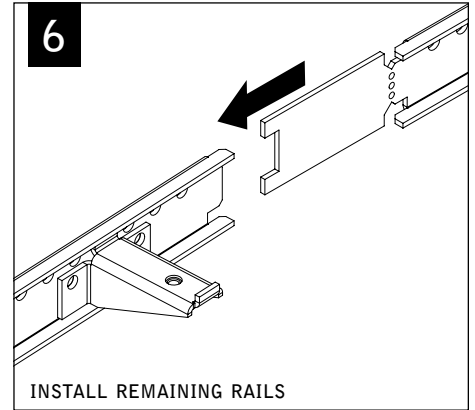
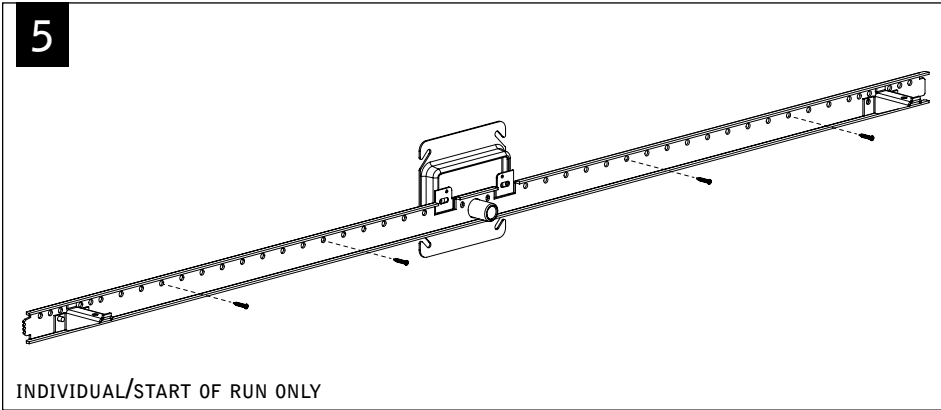
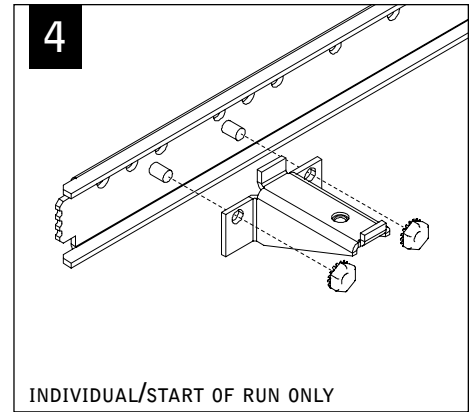
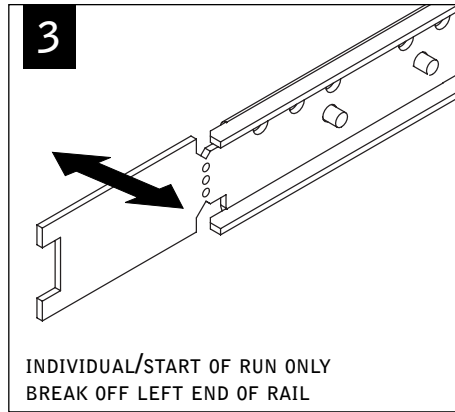
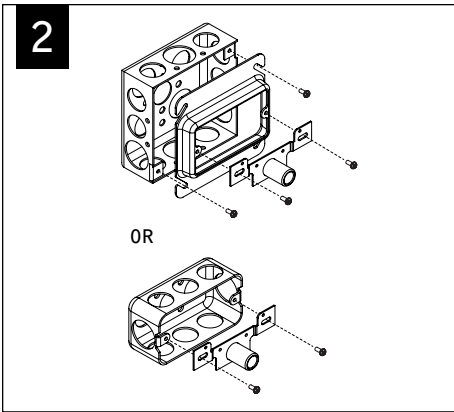


RAIL MOUNTS .39" ABOVE
THE BOTTOM OF LUMINAIRE

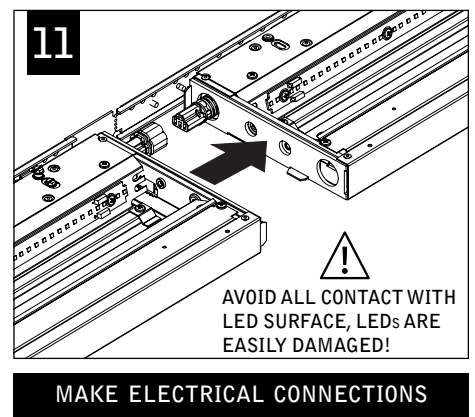
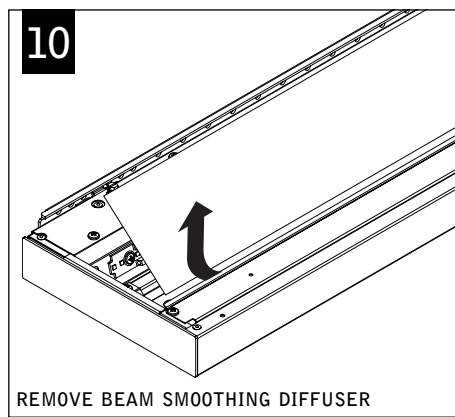
8' HOUSING



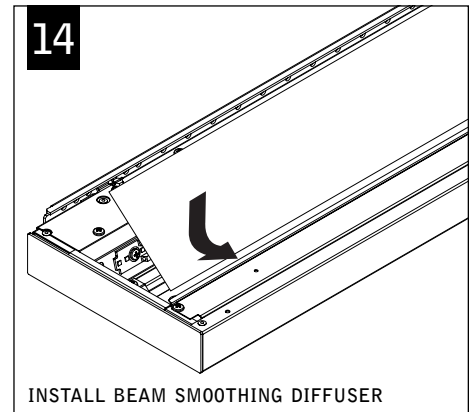
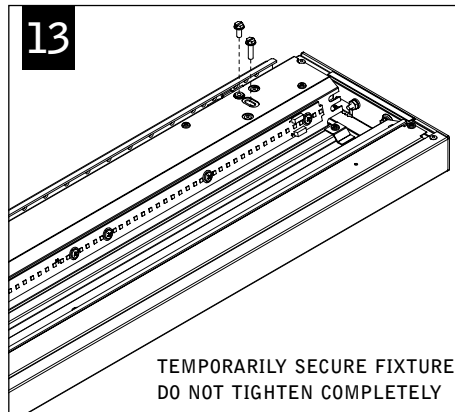
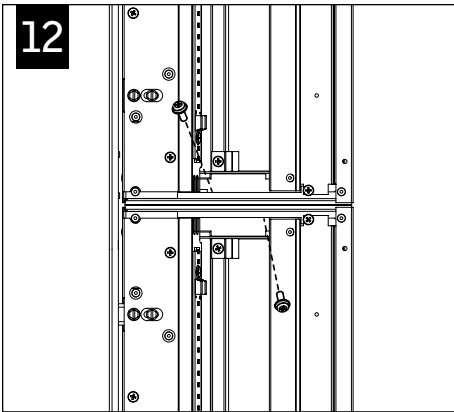
Luminaires must be installed by a qualified electrician (check with local and national codes for proper installation).
To prevent electrical shock, disconnect electrical supply before installation or servicing.



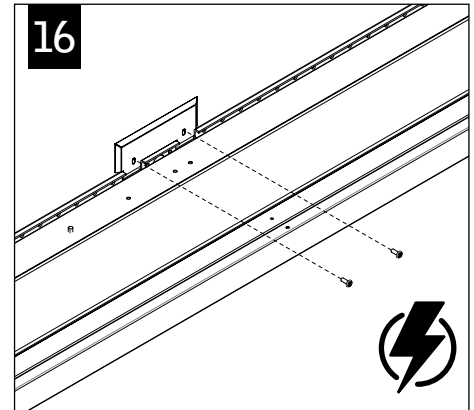
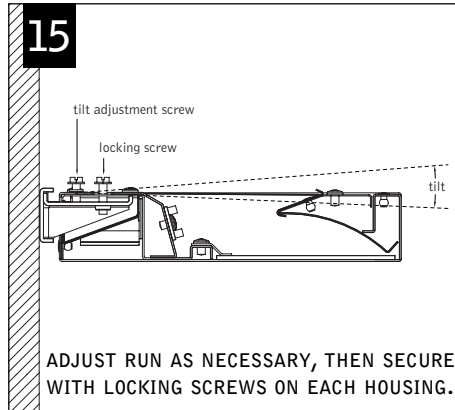
INDIVIDUAL HOUSINGS SKIP TO STEP 15



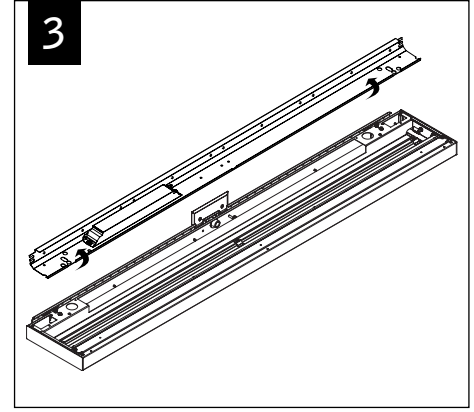
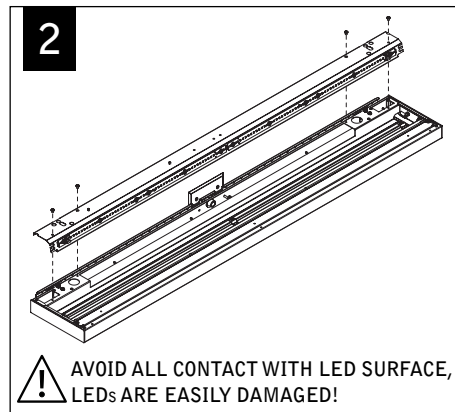
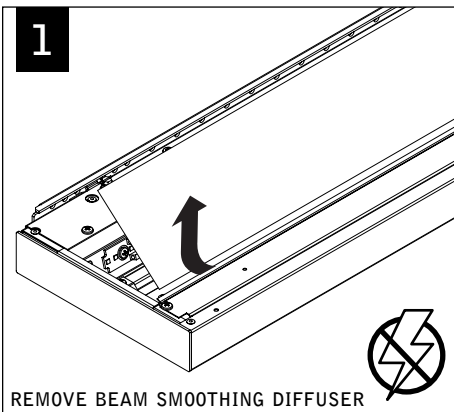
Luminaires must be installed by a qualified electrician (check with local and national codes for proper installation).
To prevent electrical shock, disconnect electrical supply before installation or servicing.



REPEAT STEPS 10-14 UNTIL
RUN IS COMPLETE



DRIVER SERVICE



Contractor is responsible for adequately reinforcing walls and/or ceilings to support luminaire weight. Focal Point, LLC accepts no responsibility for inadequately reinforced walls and/or ceilings. The information contained in this drawing is the sole property of Focal Point, LLC. Any reproduction in part or whole without the written permission of Focal Point, LLC is prohibited.