

Seem® 6 LED

FSM6L-TF | FSM6L-NF | Trim Flange | No Flange



FOCAL POINT®

BEFORE YOU BEGIN

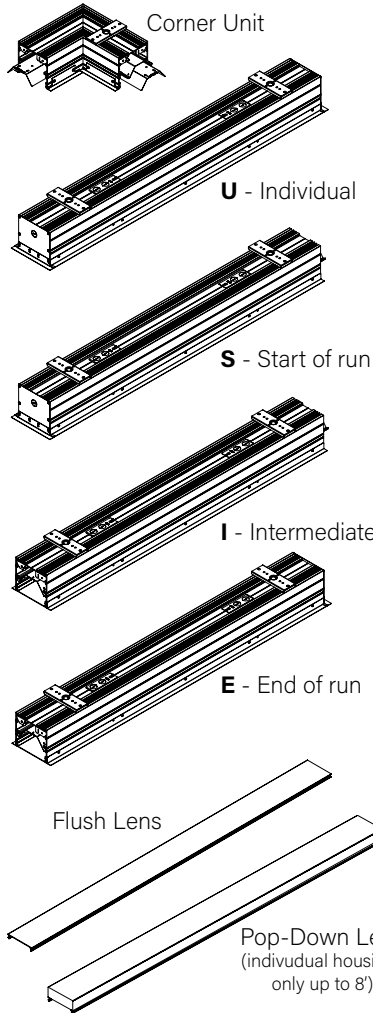
- Luminaires must be installed by a qualified electrician (check with local and national codes for proper installation).
- To prevent electrical shock, disconnect electrical supply before installation or servicing.
- Contractor is responsible for adequately reinforcing walls and/or ceilings to support fixture weight.
- Focal Point, LLC accepts no responsibility for inadequately reinforced walls and/or ceilings.
- The information contained in this drawing is the sole property of Focal Point, LLC. Any reproduction in part or whole without the written permission of Focal Point, LLC is prohibited.

INSTRUCTION KEY

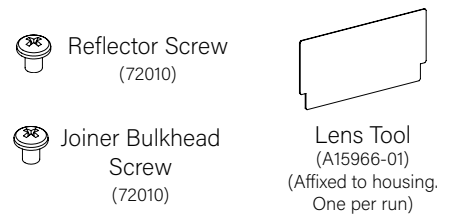
- ATTENTION**
- SEE ADDITIONAL INSTRUCTIONS**
- POWER OFF**
- POWER ON**

COMPONENT KEY

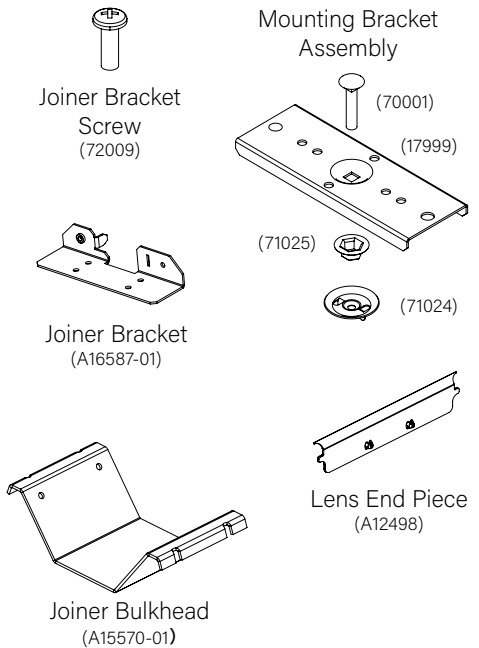
FOCAL POINT



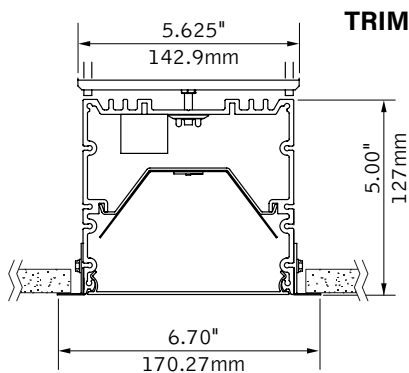
INCLUDED HARDWARE



PARTS SHIPPED INSTALLED



MOUNTING BRACKET MUST BE INSTALLED PRIOR TO DRYWALL/CEILING

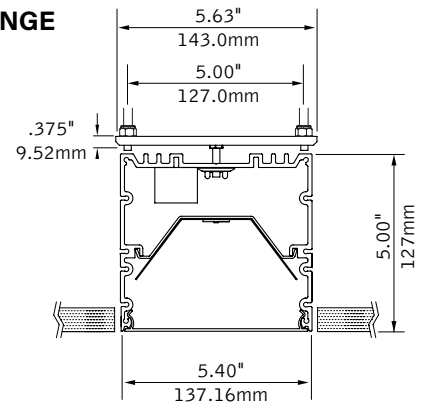


TRIM FLANGE






MOUNTING BRACKET MUST BE SECURED TO STRUCTURE ABOVE.

1/4" - 20 CARRIAGE BOLT MAY BE SUPPLIED BY OTHERS FOR GREATER ADJUSTABILITY.

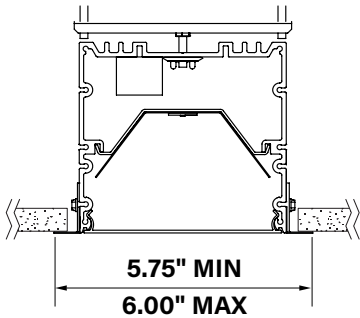


NO FLANGE

MOUNTING LOCATIONS

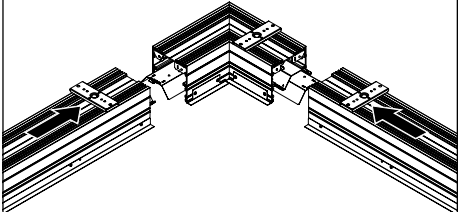
	HOUSING LENGTH	A	B	C	 MOUNTING LOCATION CHART IS AN APPROXIMATE GUIDE ONLY.
	2'	1"	21"	22"	
	3'	1"	33"	34"	
	4'	6"	35"	36"	
	5'	6"	47"	48"	
	6'	6"	59"	60"	
	7'	6"	71"	72"	
	8'	6"	83"	84"	


CEILING CUTOUT - TRIM FLANGE



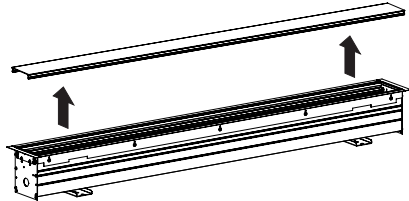
CEILING CUTOUT LENGTH =
NOMINAL RUN LENGTH MINUS 5/16" (+/- 1/16")


EXAMPLE:
12' RUN LENGTH = 11' 11-3/4" CUTOUT LENGTH



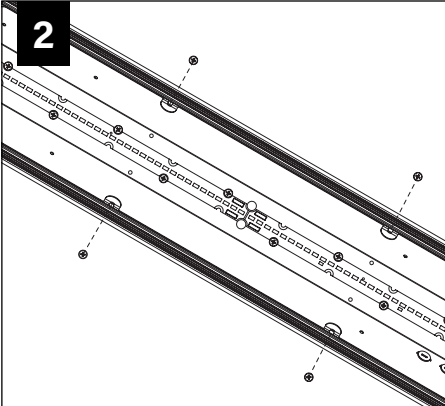
 CORNER UNIT MUST BE ASSEMBLED PRIOR TO CEILING INSTALLATION.

1

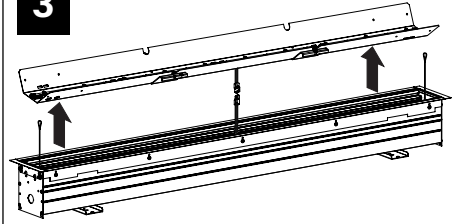



 AVOID ALL CONTACT WITH LED SURFACE, LEDs ARE EASILY DAMAGED!

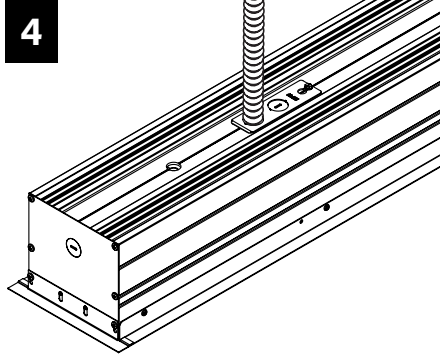
2



3

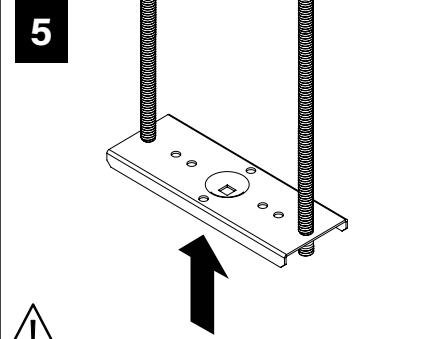




4



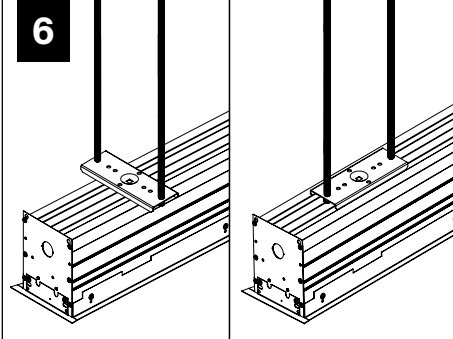
MAKE ELECTRICAL CONNECTION

5

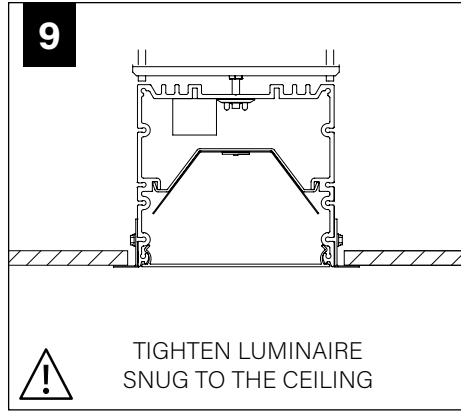
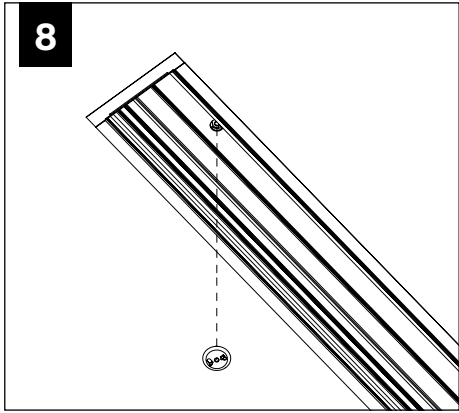
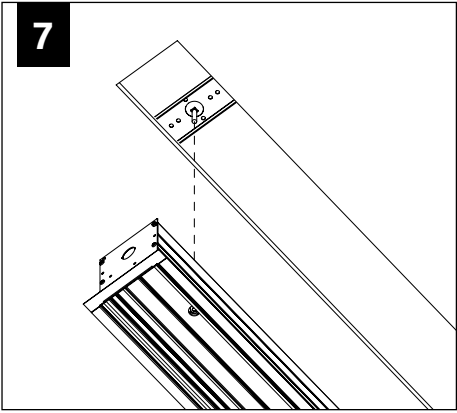


 SECURE MOUNTING BRACKET TO STRUCTURE ABOVE. 1/4" - 20 CARRIAGE BOLT RECOMMENDED (BY OTHERS)

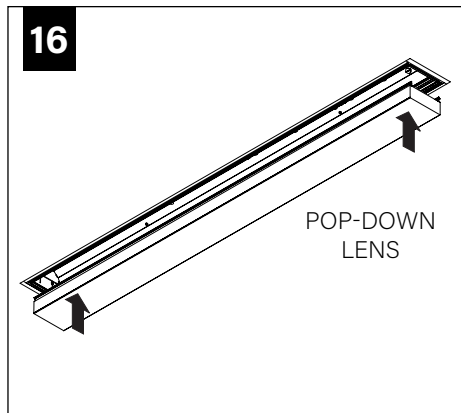
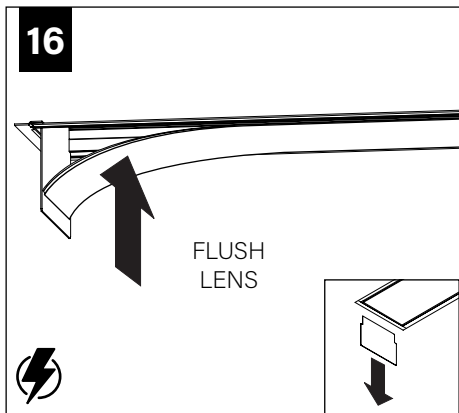
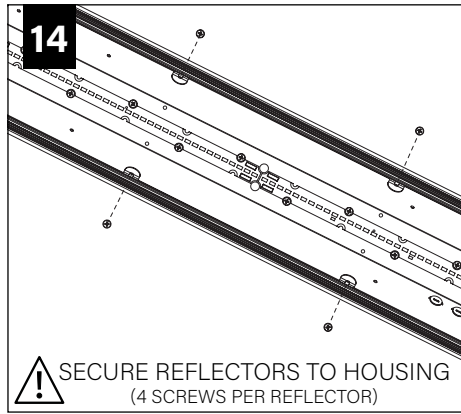
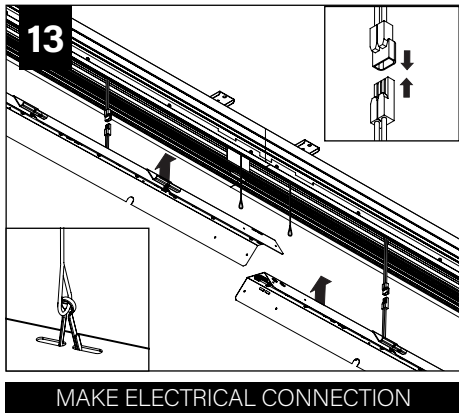
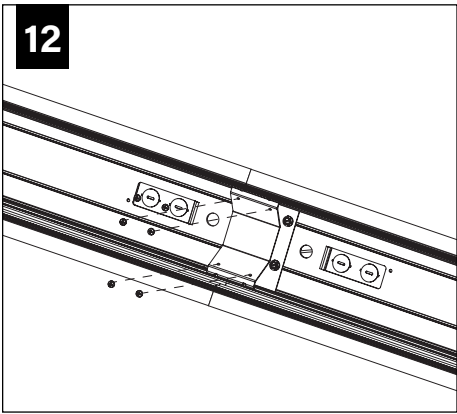
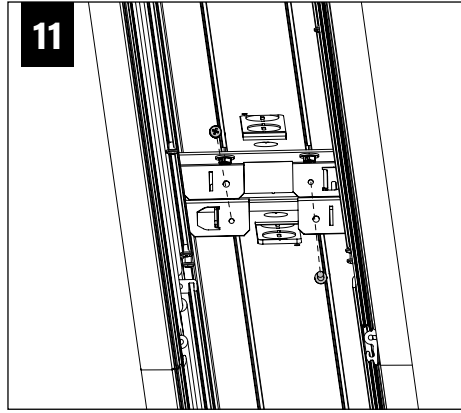
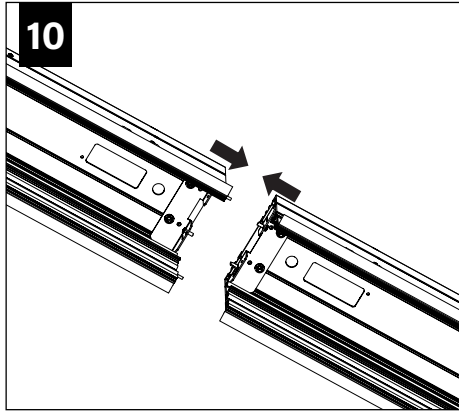
6



HOUSING CAN BE INSTALLED PERPENDICULARLY OR PARALLEL TO MOUNTING BRACKET



REPEAT STEPS 5-9 UNTIL ALL UNITS ARE IN THE CEILING
INDIVIDUAL INSTALLATIONS
SKIP TO STEP 13



EMERGENCY



SEE BATTERY MANUFACTURER
INSTRUCTIONS

EMERGENCY BATTERY
MAXIMUM MOUNTING HEIGHT: 18.00'

EMERGENCY CIRCUIT
MAXIMUM MOUNTING HEIGHT: 21.00'

DRIVER SERVICE

