

Seem® 4 LED Perimeter

FSM4PR-XFF | MUD-IN DRYWALL



BEFORE YOU BEGIN

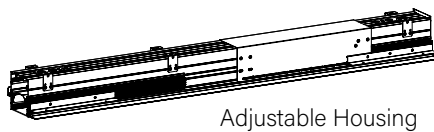
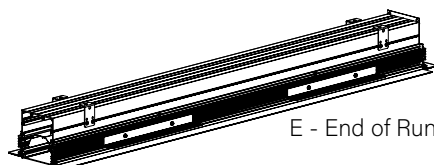
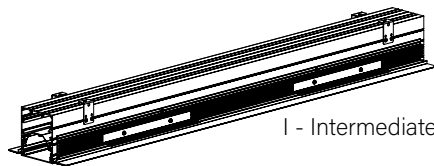
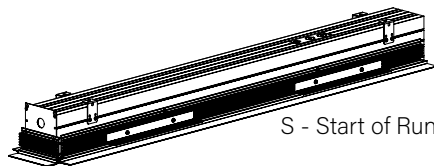
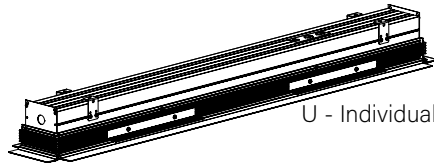
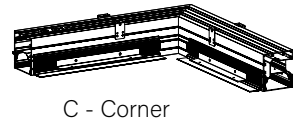
- Luminaires must be installed by a qualified electrician (check with local and national codes for proper installation).
- To prevent electrical shock, disconnect electrical supply before installation or servicing.
- Contractor is responsible for adequately reinforcing walls and/or ceilings to support fixture weight.
- Focal Point, LLC accepts no responsibility for inadequately reinforced walls and/or ceilings.
- The information contained in this drawing is the sole property of Focal Point, LLC. Any reproduction in part or whole without the written permission of Focal Point, LLC is prohibited.

INSTRUCTION KEY

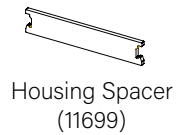
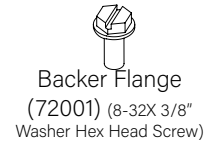
- ATTENTION**
- SEE ADDITIONAL INSTRUCTIONS**
- POWER OFF**
- POWER ON**

COMPONENT KEY

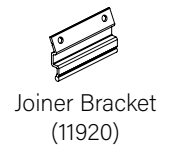
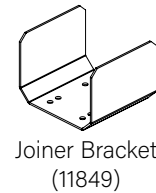
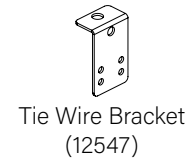
FOCAL POINT



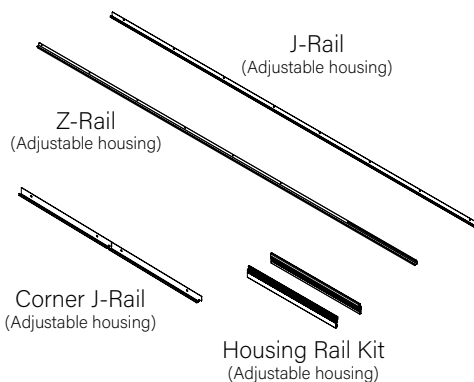
INCLUDED HARDWARE



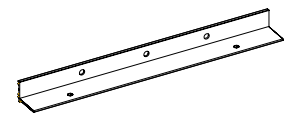
SHIPPED INSTALLED



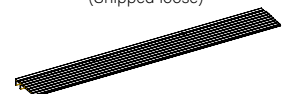
ADDITIONAL PARTS



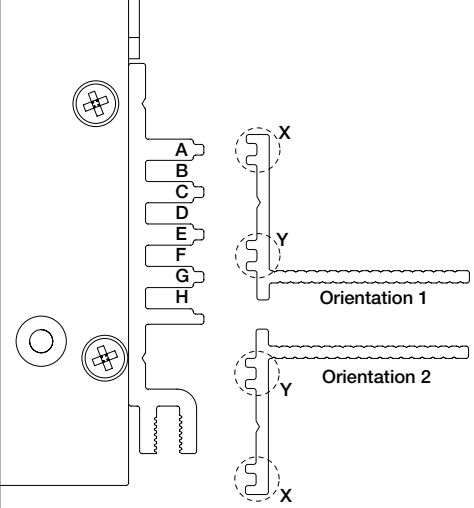
Backer Flange (May be pre-installed or shipped loose)



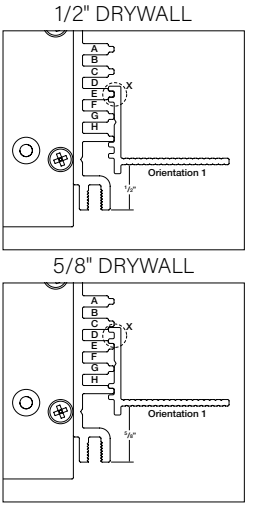
Mud Flange (Shipped loose)



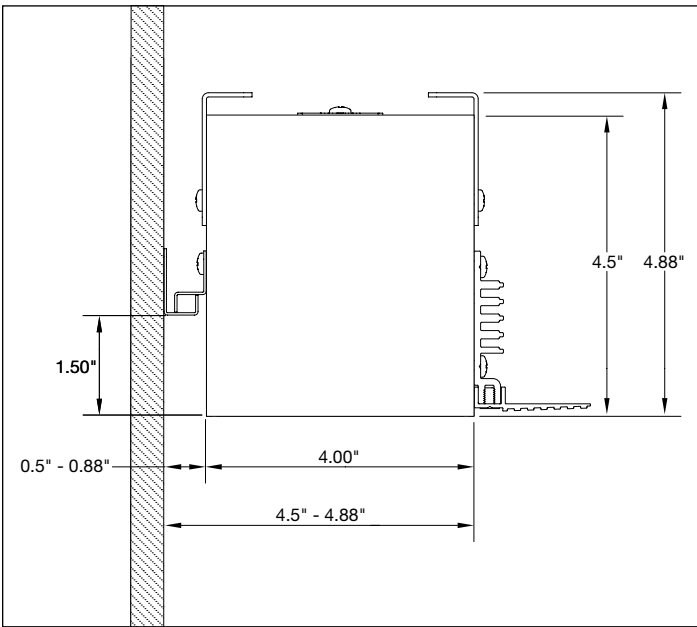
BACKER FLANGE PLACEMENT GUIDE



DRYWALL THICKNESS	ORIENTATION	GUIDE POINT	POSITION
3/8"	1	X	F
1/2"	1	X	E
5/8"	1	X	D
3/4"	1	X	C
7/8"	1	X	B
1"	1	X	A
1 1/8"	1	Y	G
1 1/4"	2	Y	F
1 3/8"	2	Y	E
1 1/2"	2	Y	D
1 5/8"	2	Y	C
1 3/4"	2	Y	B
1 7/8"	2	Y	A
2"	2	X	E
2 1/8"	2	X	D



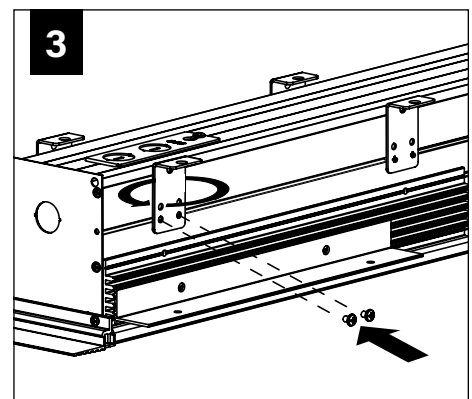
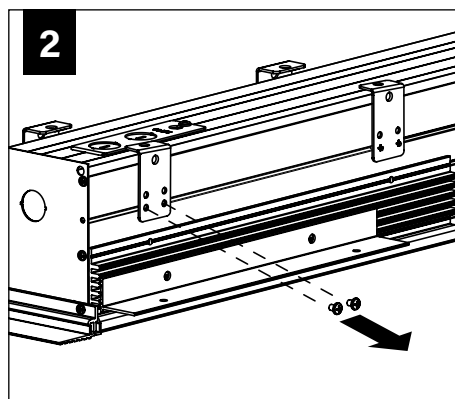
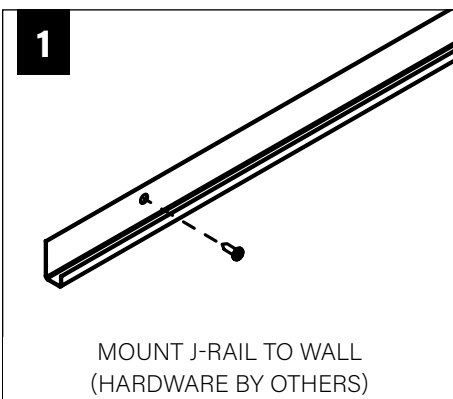
WALL/CEILING PREPARATION



FOCAL POINT RECOMMENDS
STARTING WITH CORNER
INSTALLATION IF APPLICABLE

BASIC INSTALLATION, STEPS 1-22
ADJUSTABLE HOUSING, PAGE 5
CORNERS, PAGE 6

BASIC INSTALLATION

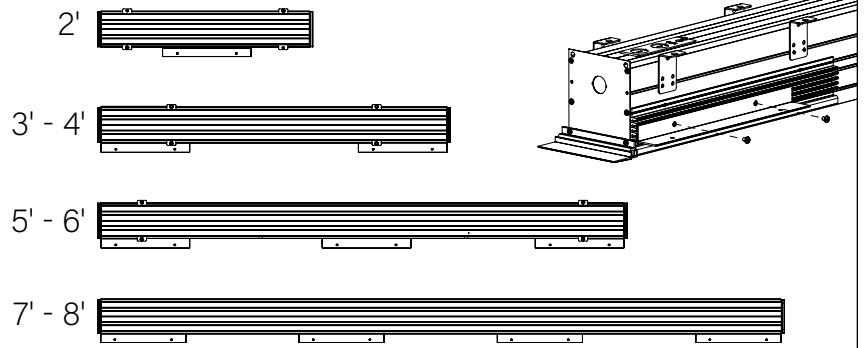


4

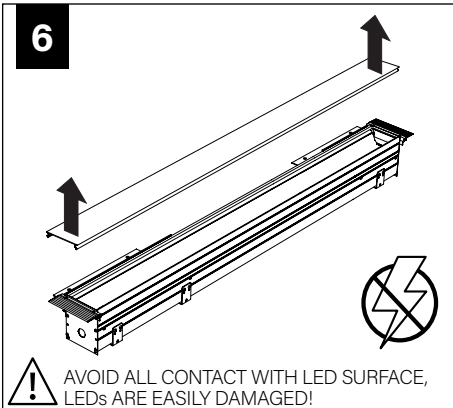
USING THE BACKER FLANGE
PLACEMENT GUIDE FROM PAGE 2
DETERMINE THE PROPER PLACE-
MENT OF THE BACKER FLANGE FOR
YOUR DRYWALL THICKNESS.

**IF BACKER FLANGES WERE
PRE-INSTALLED SKIP TO STEP 6**

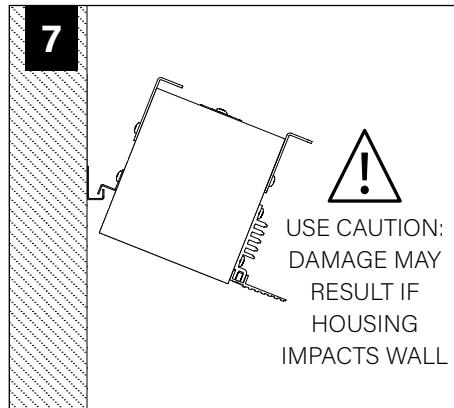
5



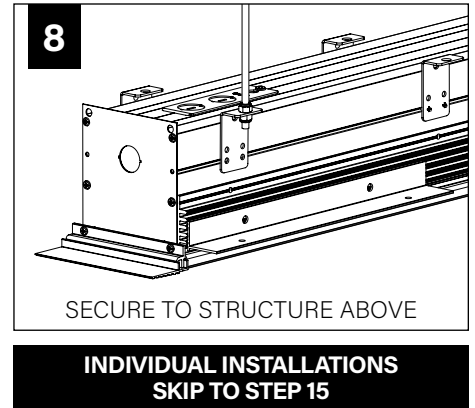
6



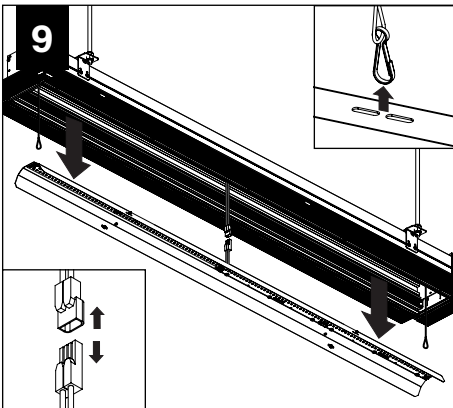
7



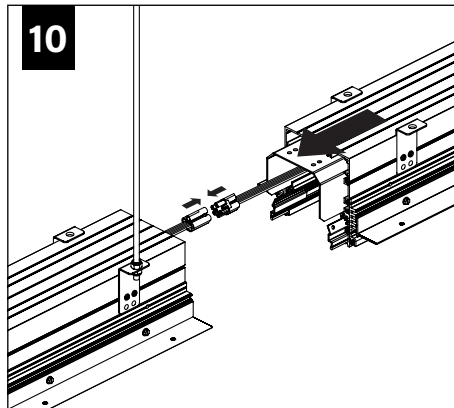
8



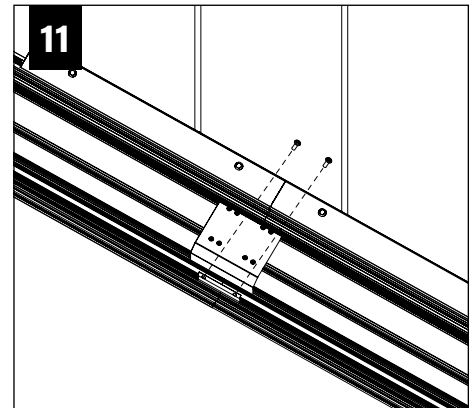
9



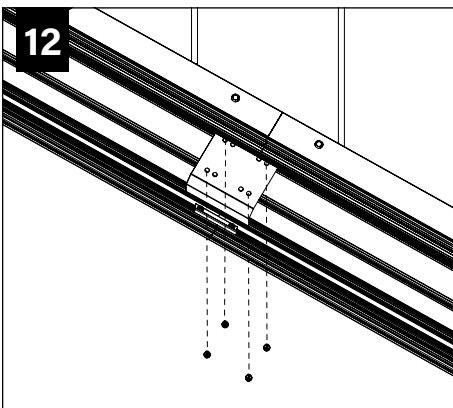
10



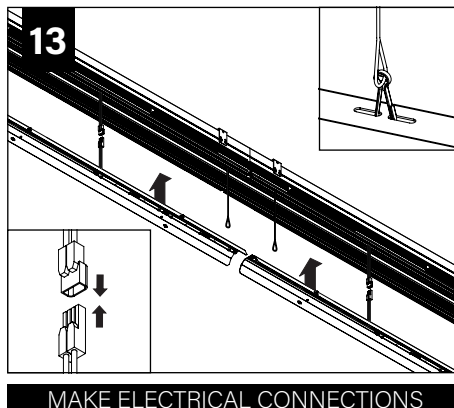
11



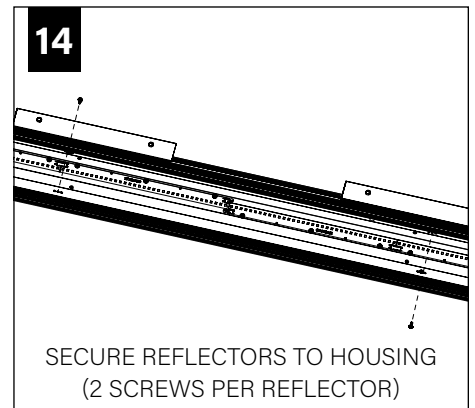
12



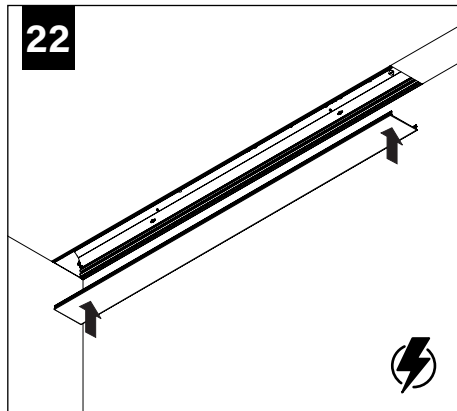
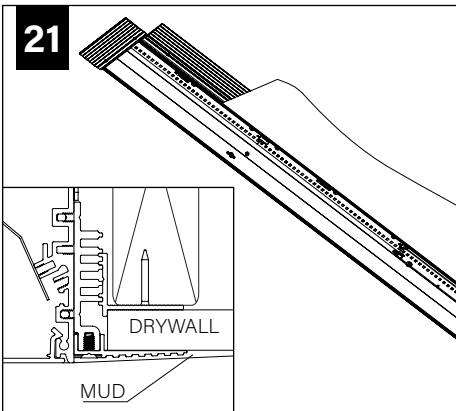
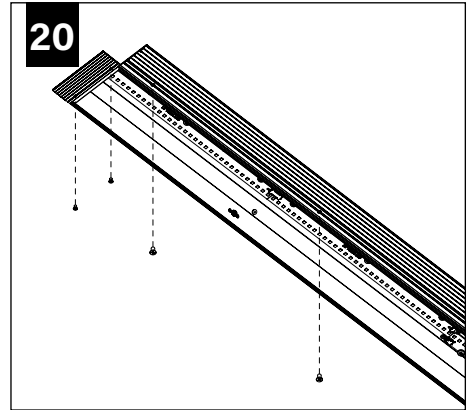
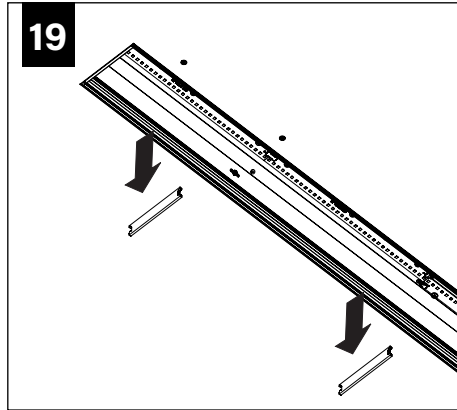
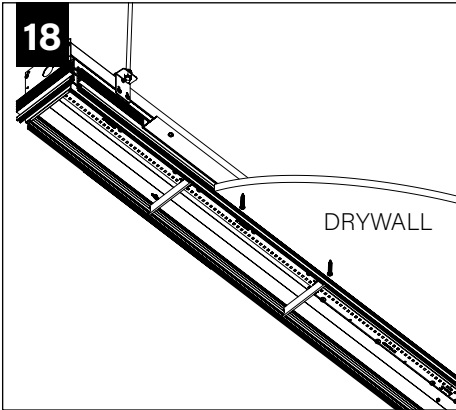
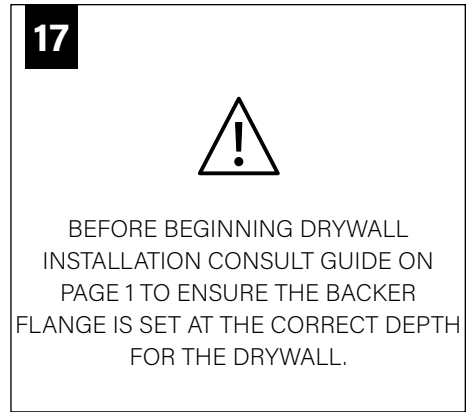
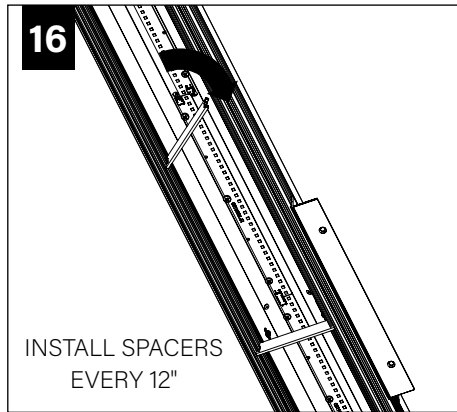
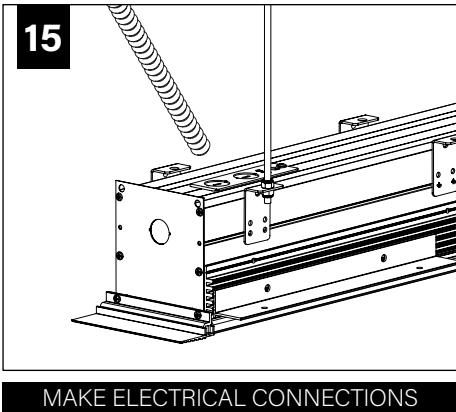
13



14



REPEAT STEPS 2 - 14 FOR EACH HOUSING SECTION



EMERGENCY



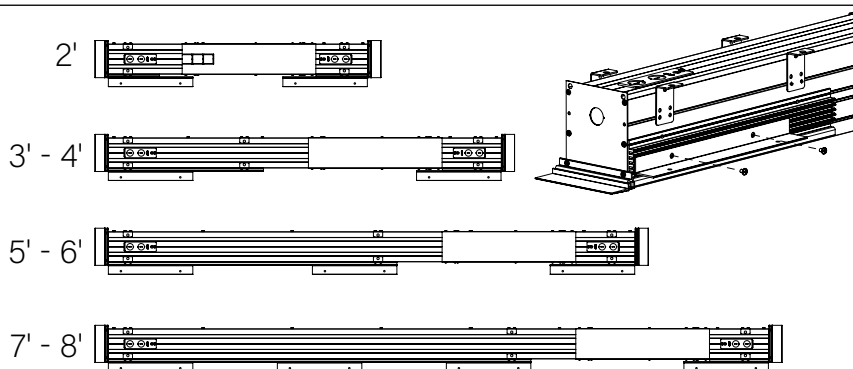
ADJUSTABLE HOUSING

1

USING THE BACKER FLANGE PLACEMENT GUIDE FROM PAGE 2 DETERMINE THE PROPER PLACEMENT OF THE BACKER FLANGE FOR YOUR DRYWALL THICKNESS.

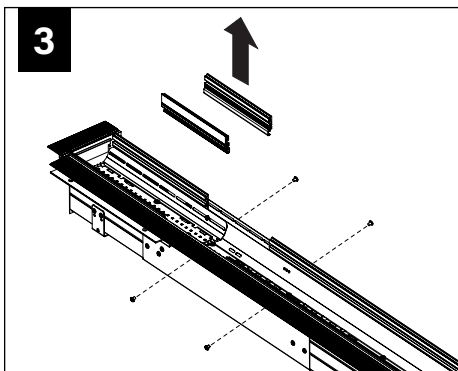
IF BACKER FLANGES WERE PRE-INSTALLED SKIP TO STEP 3

2

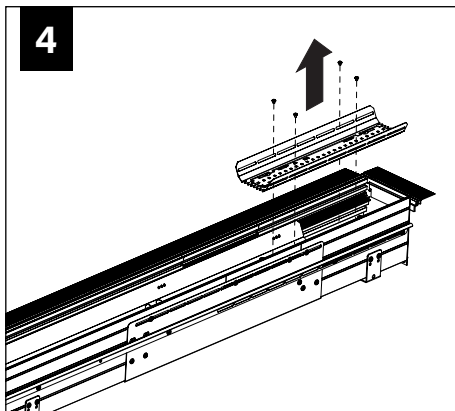


IF HOUSING LENGTH IS CORRECT SKIP TO STEP 11

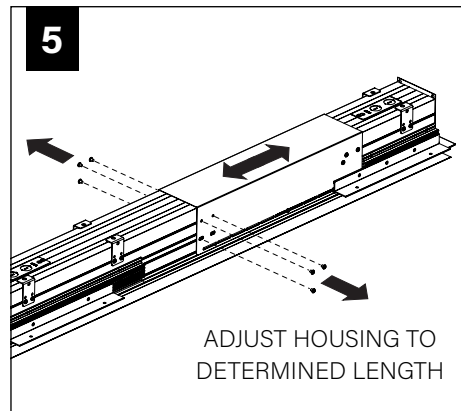
3



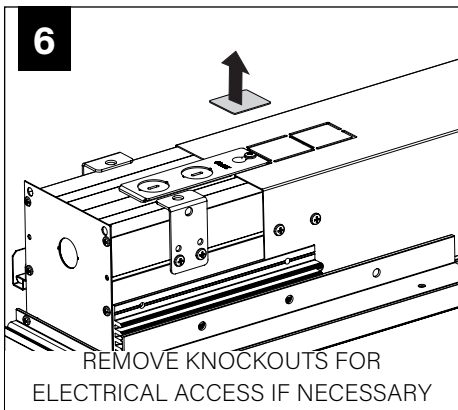
4



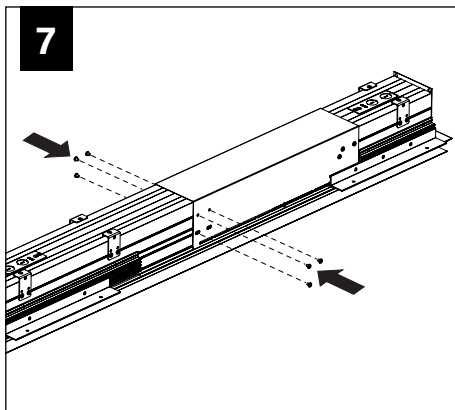
5



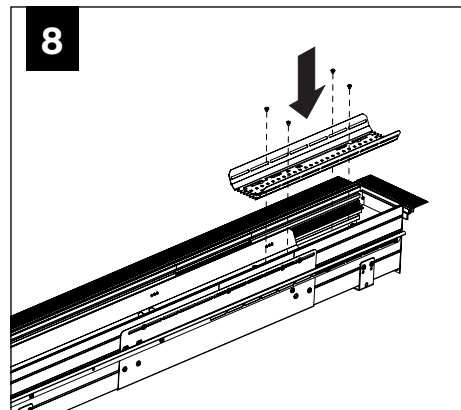
6



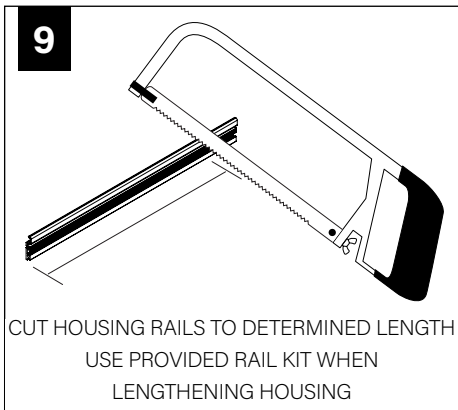
7



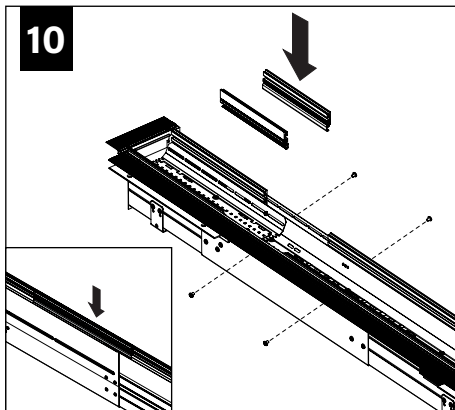
8



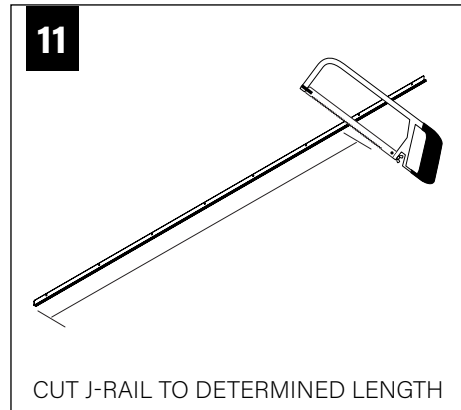
9

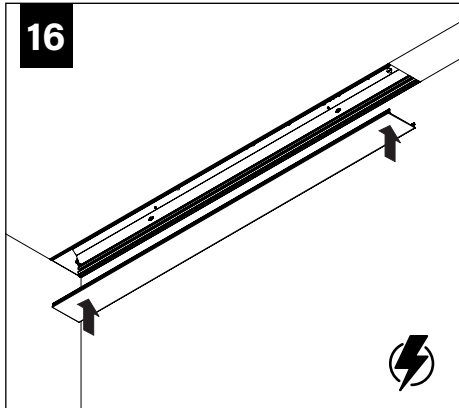
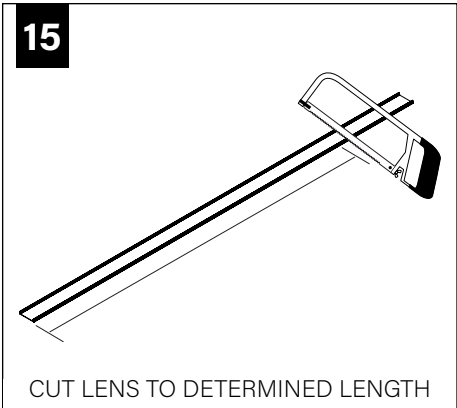
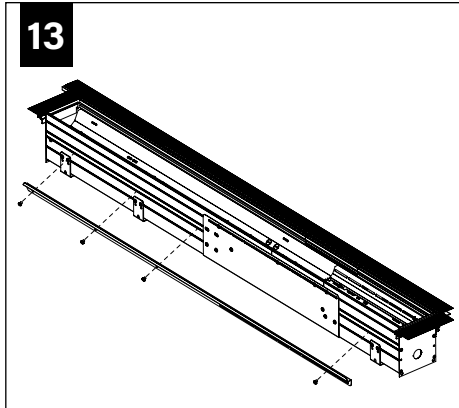
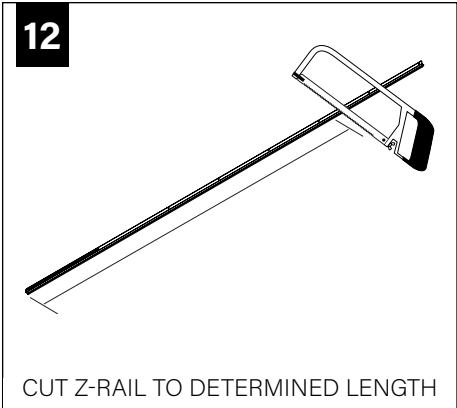


10

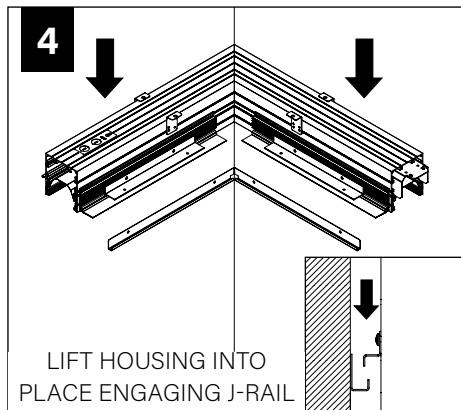
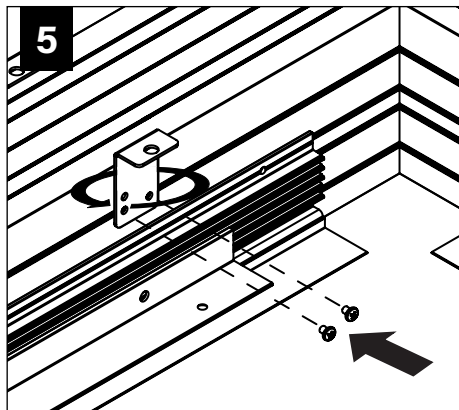
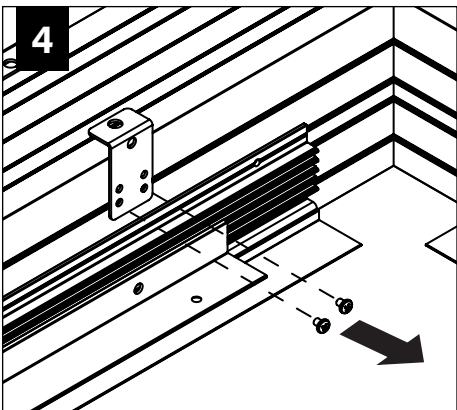
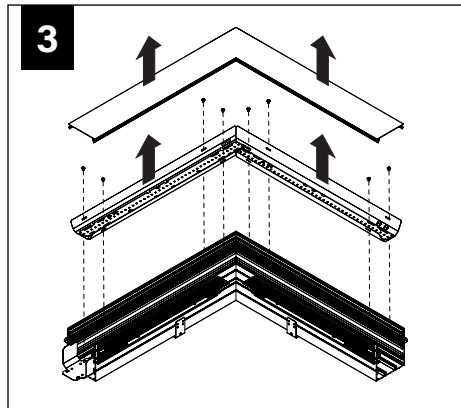
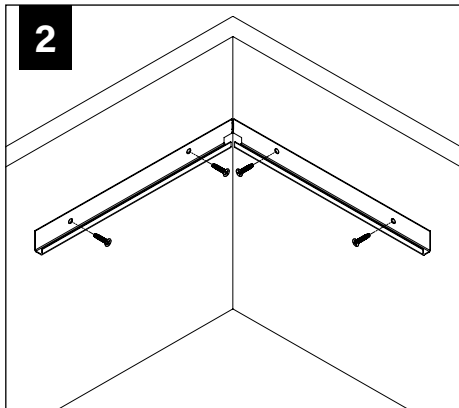
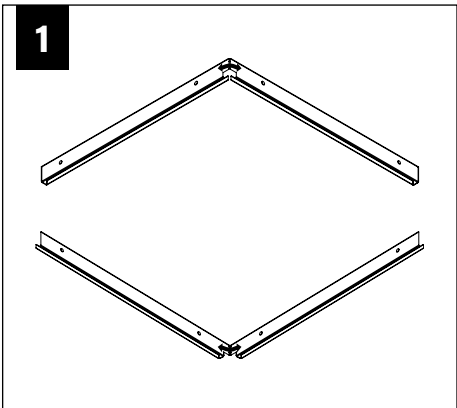


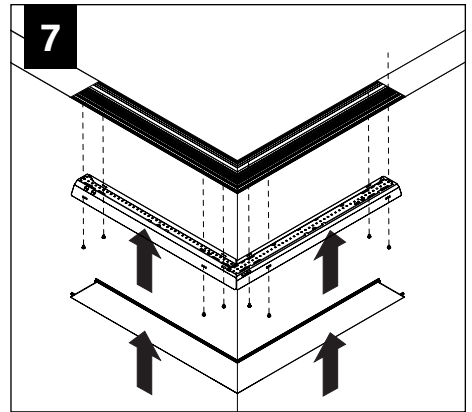
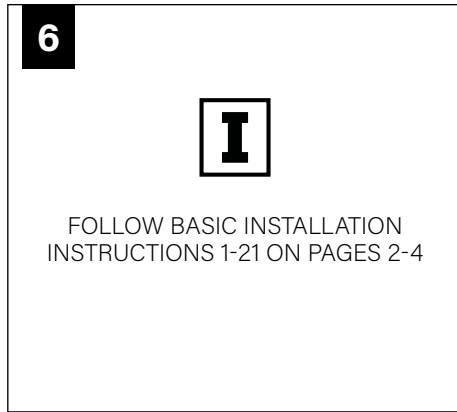
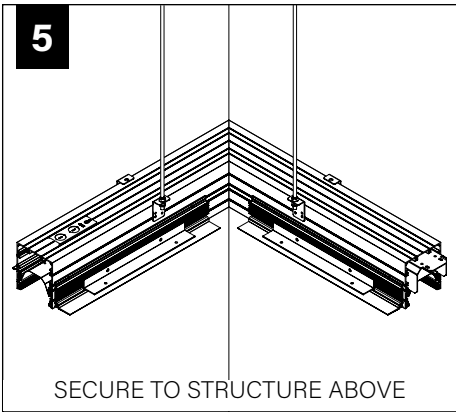
11





CORNERS





DRIVER SERVICE

