

Seem® 4 LED Perimeter

FSM4PR-TF | TRIM FLANGE



FOCAL POINT®

BEFORE YOU BEGIN

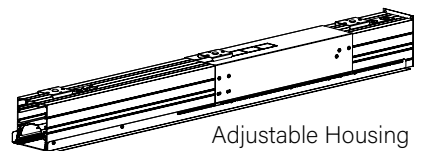
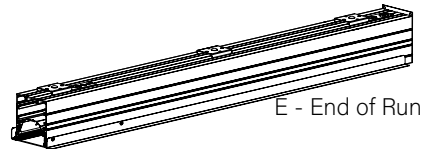
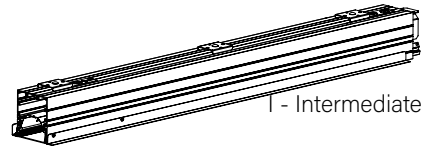
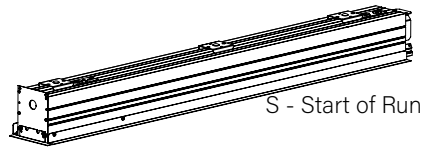
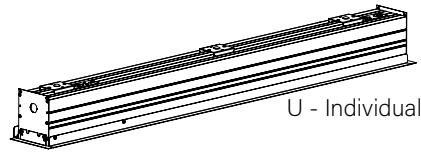
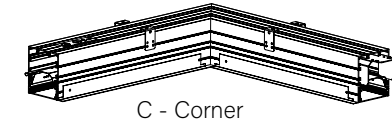
- Luminaires must be installed by a qualified electrician (check with local and national codes for proper installation).
- To prevent electrical shock, disconnect electrical supply before installation or servicing.
- Contractor is responsible for adequately reinforcing walls and/or ceilings to support fixture weight.
- Focal Point, LLC accepts no responsibility for inadequately reinforced walls and/or ceilings.
- The information contained in this drawing is the sole property of Focal Point, LLC. Any reproduction in part or whole without the written permission of Focal Point, LLC is prohibited.

INSTRUCTION KEY

- ATTENTION**
- SEE ADDITIONAL INSTRUCTIONS**
- POWER OFF**
- POWER ON**

COMPONENT KEY

FOCAL POINT

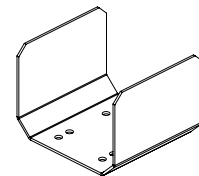
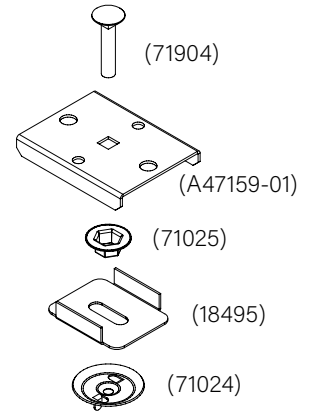


INCLUDED HARDWARE



SHIPPED INSTALLED

Mounting Bracket Assembly

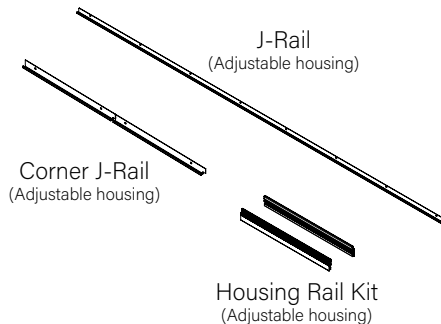


Joiner Bracket
(11849)



Joiner Bracket
(11920)

ADDITIONAL PARTS



MOUNTING LOCATIONS

STANDARD HOUSINGS



START OF RUN/INDIVIDUAL



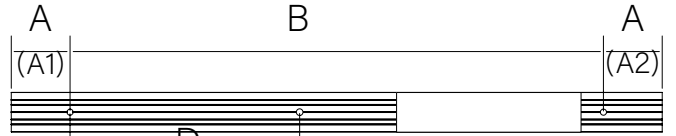
INTERMEDIATE/END OF RUN

HOUSING LENGTH	A	B	C
2'	1"	21"	22"
3'	1"	33"	34"
4'	6"	35"	36"
5'	6"	47"	48"
6'	6"	59"	60"
7'	6"	71"	72"
8'	6"	83"	84"

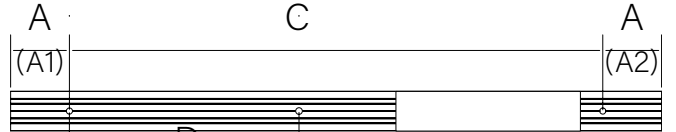


MOUNTING LOCATION CHART IS AN APPROXIMATE GUIDE ONLY.

ADJUSTABLE HOUSINGS



START OF RUN/INDIVIDUAL



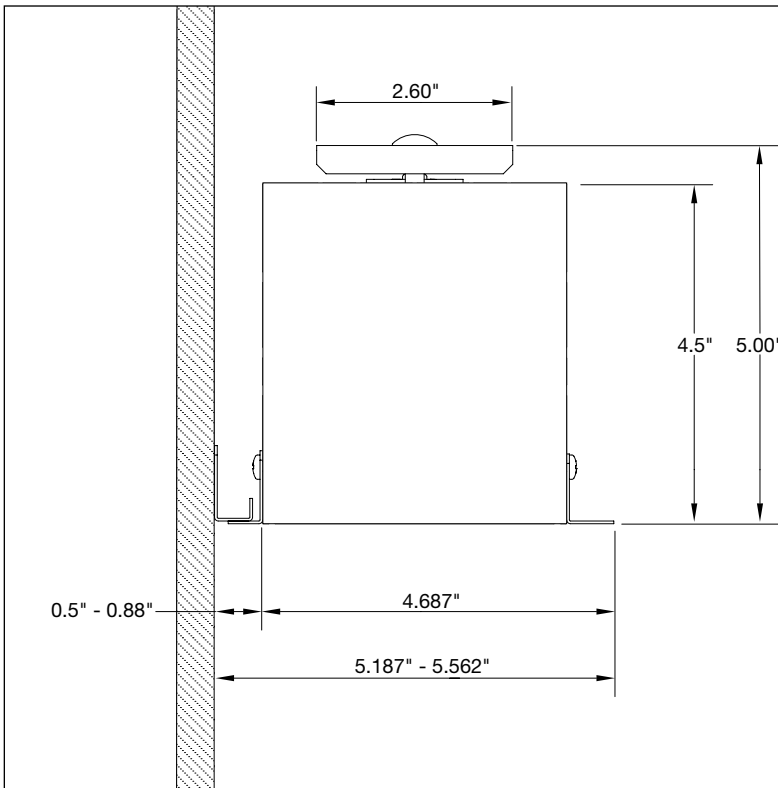
INTERMEDIATE/END OF RUN

HOUSING LENGTH	A		B	C	D
	(A1)	(A2)			
3'	3"	6"	26"	27"	-
4'	3"	6"	38"	39"	-
5'	6"		47"	48"	26"
6'	6"		59"	60"	32"
7'	6"		71"	72"	44"



MOUNTING LOCATION CHART IS AN APPROXIMATE GUIDE ONLY.

WALL/CEILING PREPARATION



MOUNTING BRACKET MUST BE INSTALLED PRIOR TO DRYWALL

MOUNTING BRACKET MUST BE SECURED TO STRUCTURE ABOVE.

1/4" - 20 CARRIAGE BOLT MAY BE SUPPLIED BY OTHERS FOR GREATER ADJUSTABILITY.

CEILING CUTOUT LENGTH =
NOMINAL RUN LENGTH MINUS 5/16" (+/- 1/16")

EXAMPLE:
12' RUN LENGTH = 11' 11-3/4" CUTOUT LENGTH

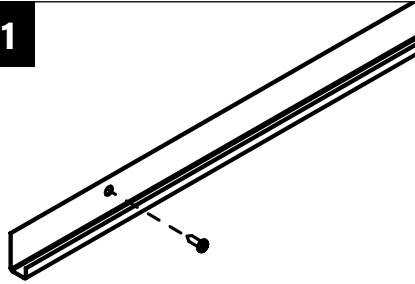
BASIC INSTALLATION



FOCAL POINT RECOMMENDS
STARTING WITH CORNER
INSTALLATION IF APPLICABLE

BASIC INSTALLATION, STEPS 1-13
ADJUSTABLE HOUSING, PAGE 4-5
CORNERS, PAGE 5-6

1



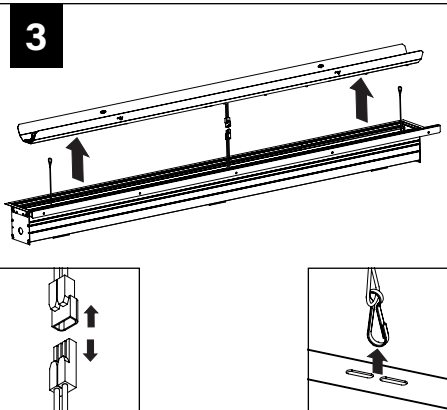
MOUNT J-RAIL TO WALL
(HARDWARE BY OTHERS)

2

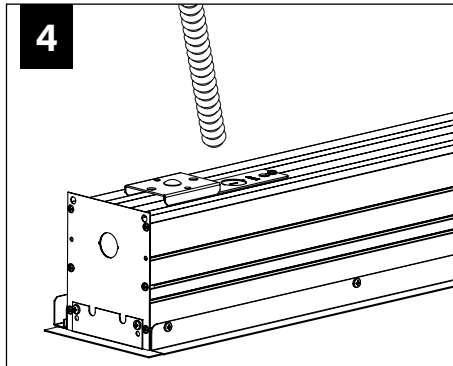


! AVOID ALL CONTACT WITH LED SURFACE,
LEDs ARE EASILY DAMAGED!

3

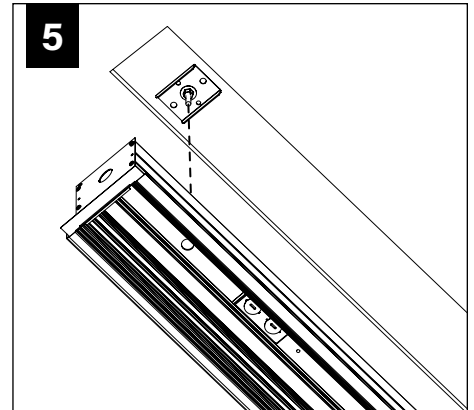


4

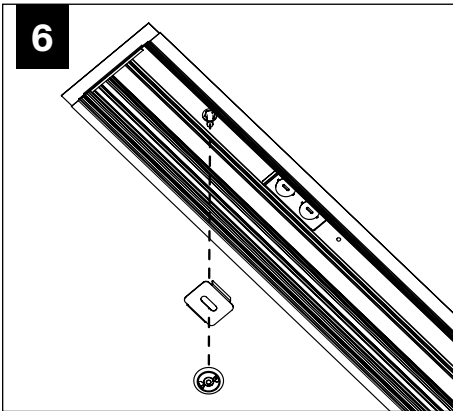


MAKE ELECTRICAL CONNECTIONS

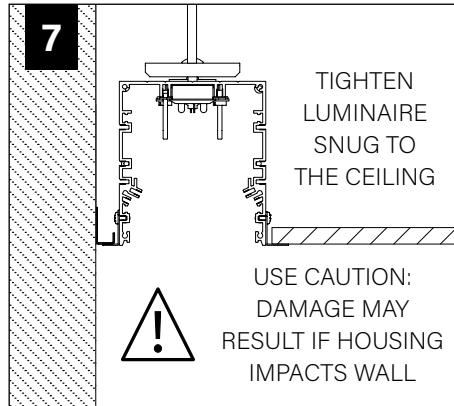
5



6



7

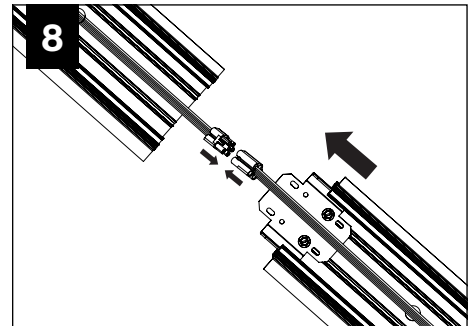


TIGHTEN
LUMINAIRE
SNUG TO
THE CEILING

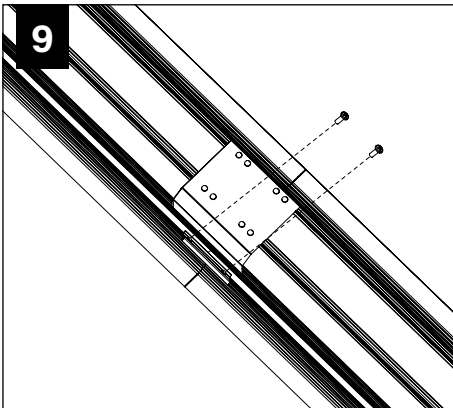
! USE CAUTION:
DAMAGE MAY
RESULT IF HOUSING
IMPACTS WALL

**INDIVIDUAL INSTALLATIONS
SKIP TO STEP 13**

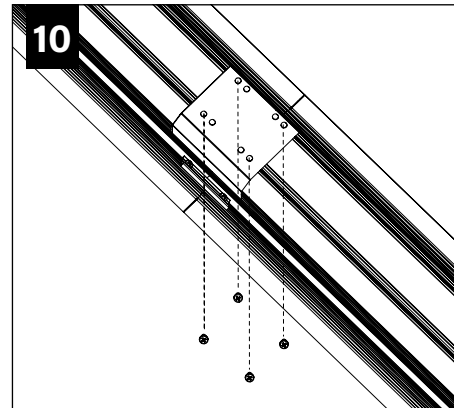
8



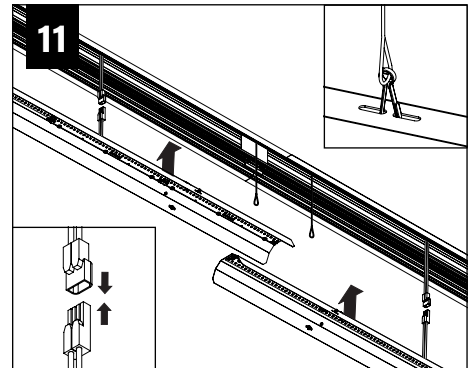
9



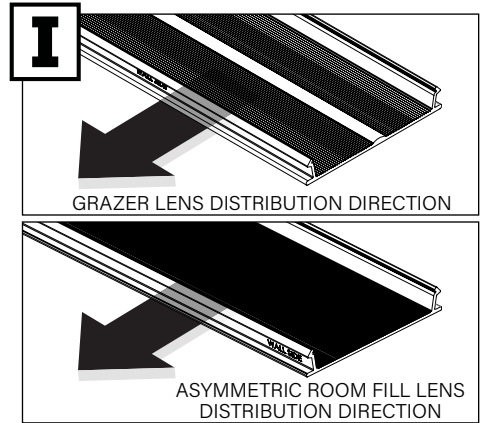
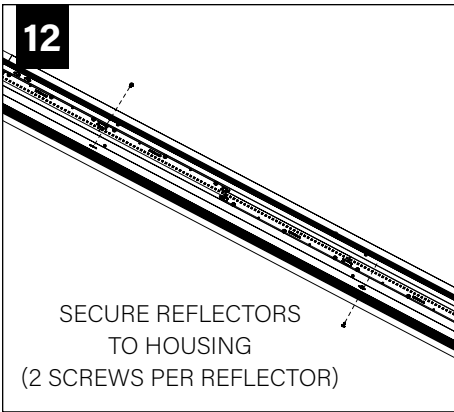
10



11



MAKE ELECTRICAL CONNECTIONS

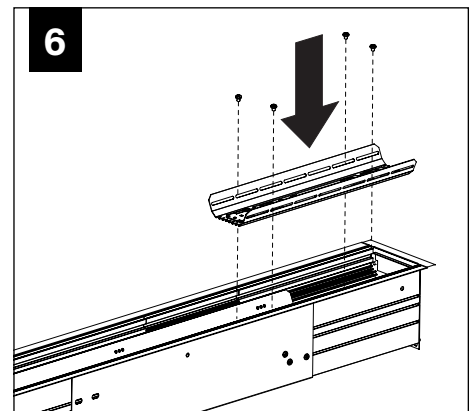
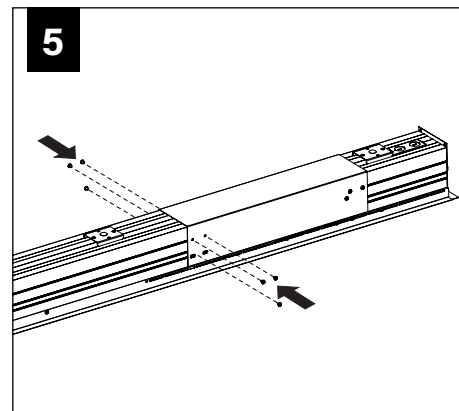
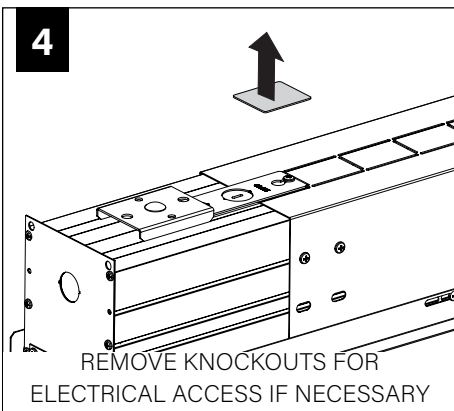
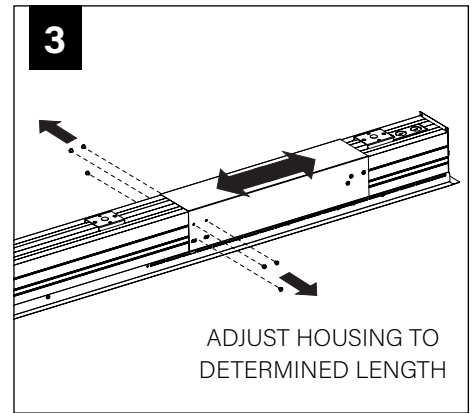
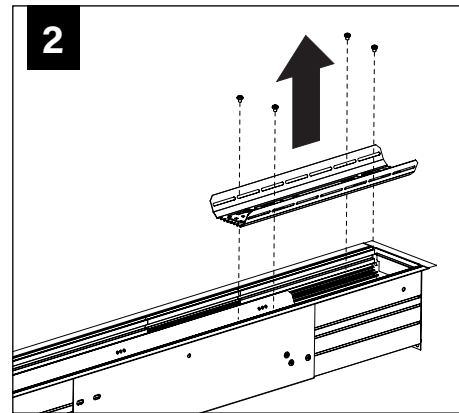
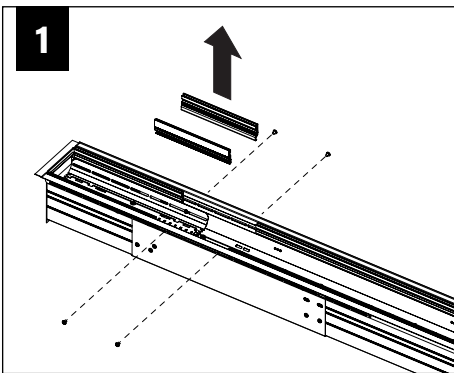


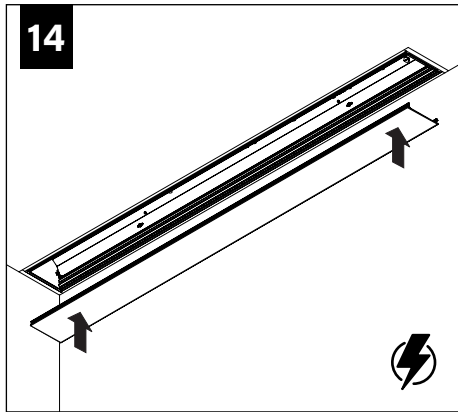
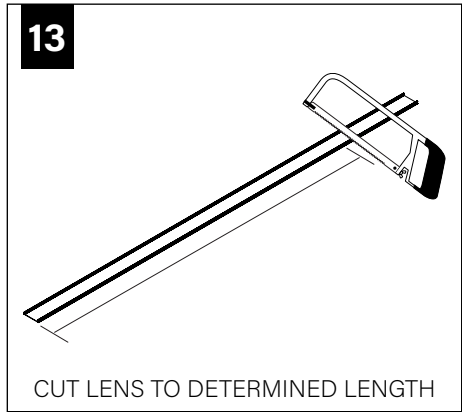
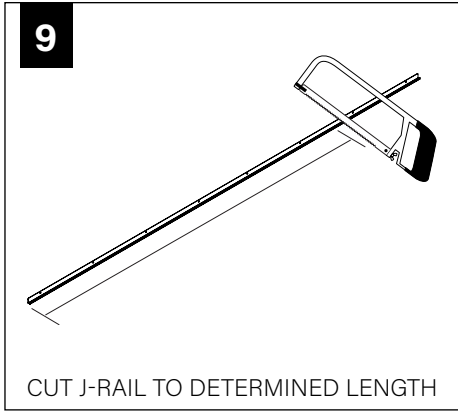
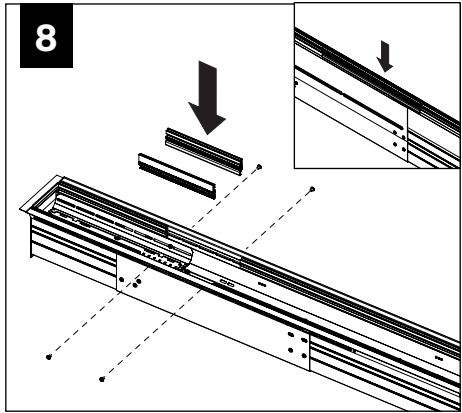
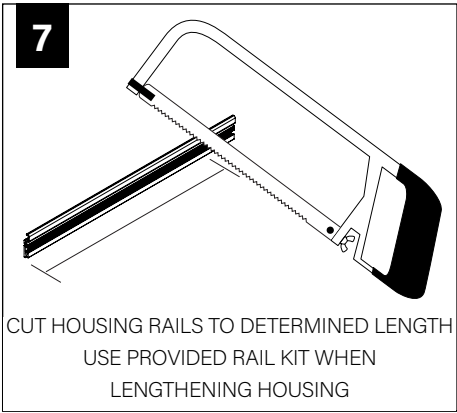
EMERGENCY



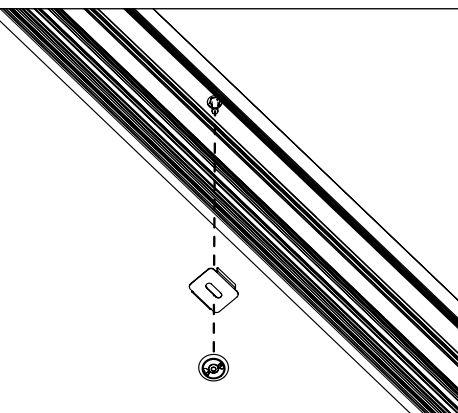
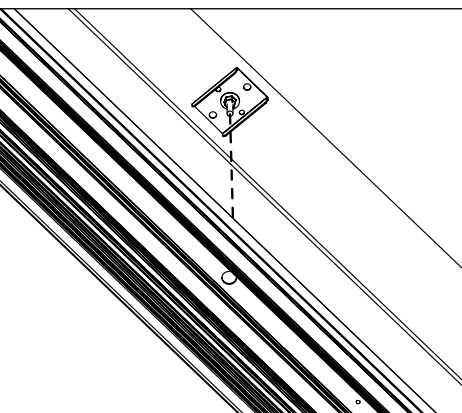
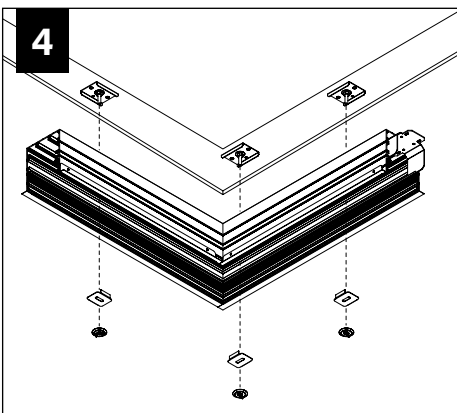
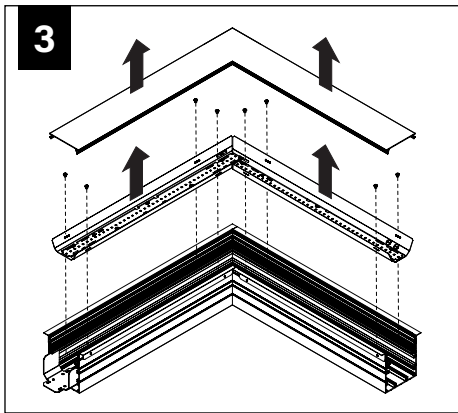
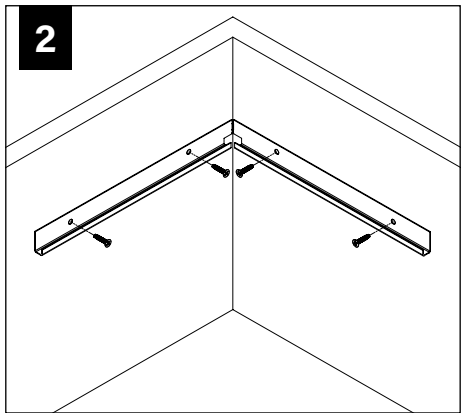
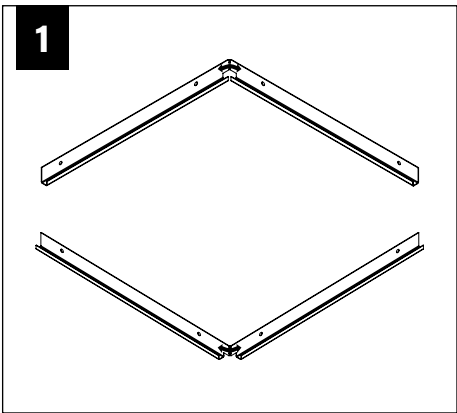
ADJUSTABLE HOUSING

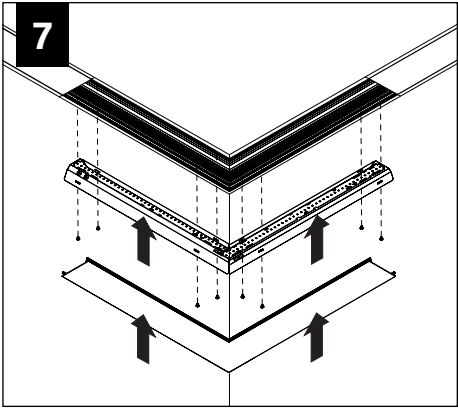
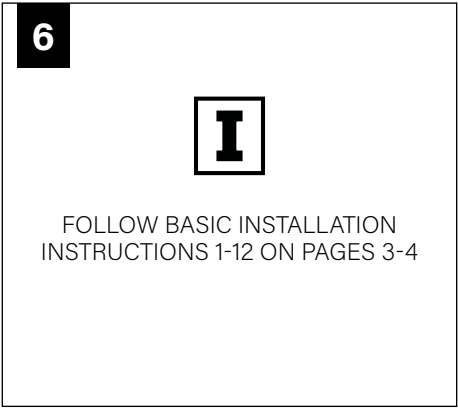
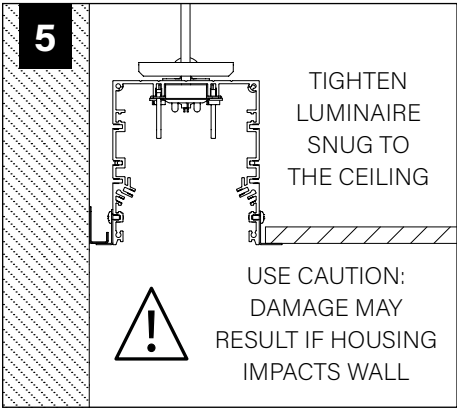
IF HOUSING LENGTH IS CORRECT SKIP TO STEP 9





CORNERS





DRIVER SERVICE

