

Seem® 4 LED Perimeter

FSM4PR | GRID/TRIMLESS DRYWALL

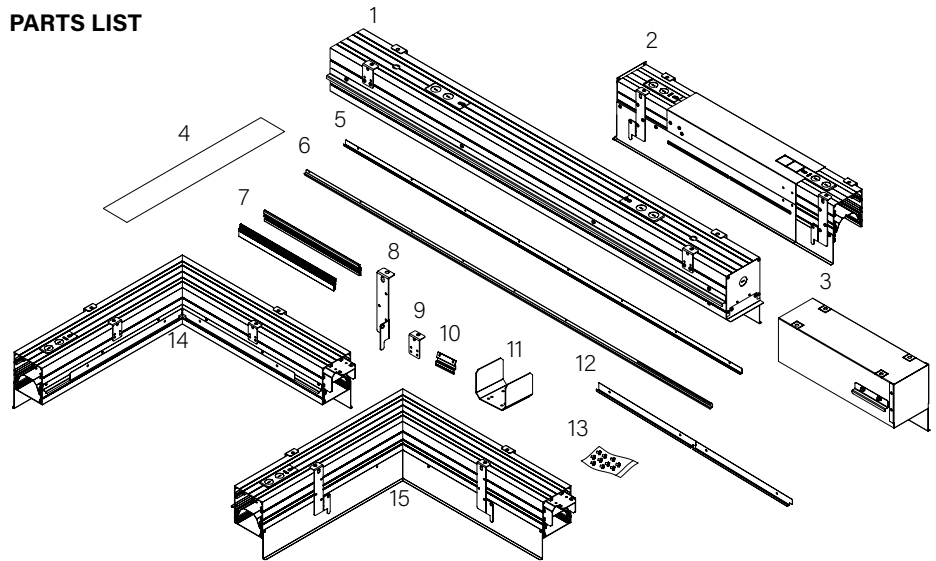


BEFORE YOU BEGIN

- Luminaires must be installed by a qualified electrician (check with local and national codes for proper installation).
- To prevent electrical shock, disconnect electrical supply before installation or servicing.
- Contractor is responsible for adequately reinforcing walls and/or ceilings to support fixture weight.
- Focal Point, LLC accepts no responsibility for inadequately reinforced walls and/or ceilings.
- The information contained in this drawing is the sole property of Focal Point, LLC. Any reproduction in part or whole without the written permission of Focal Point, LLC is prohibited.





COMPONENT KEY

PARTS LIST

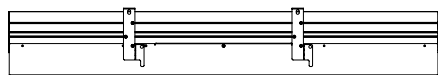


1 Housing	8 Tie-wire/grid bracket	BY OTHERS: Grid ceiling - 15/16" or 9/16" flat tee main runner required for finish edge.
2 Adjustable housing	9 Tie-wire bracket	
3 Sliding sleeve (ss) (shipped installed. SSB indicates a sliding sleeve at both ends)	10 Joiner bracket	
4 Finish plate	11 Joiner bracket	
5 J-rail	12 Corner j-rail	
6 Z-rail	13 Hardware bag	
7 Housing rail kit	14 Outside corner	
	15 Inside corner	

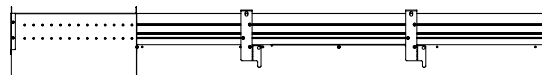
INSTRUCTION KEY

-  **ATTENTION**
-  **SEE ADDITIONAL INSTRUCTIONS**
-  **POWER OFF**
-  **POWER ON**

HOUSING TYPES - 4' SHOWN



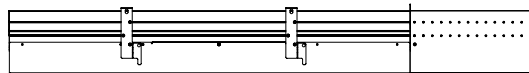
INDIVIDUAL (MAY INCLUDE SLIDING SLEEVES)



START (SHOWN WITH SLIDING SLEEVE)



INTERMEDIATE



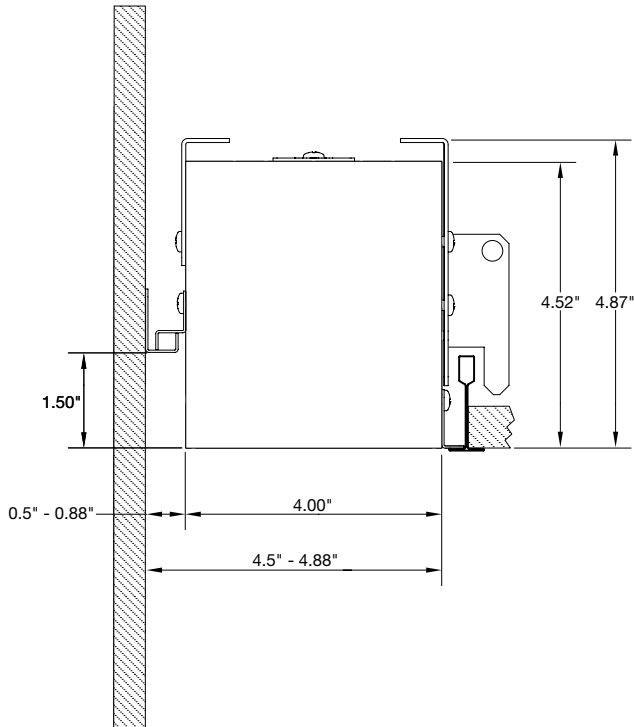
END (SHOWN WITH SLIDING SLEEVE)



ADJUSTABLE HOUSING

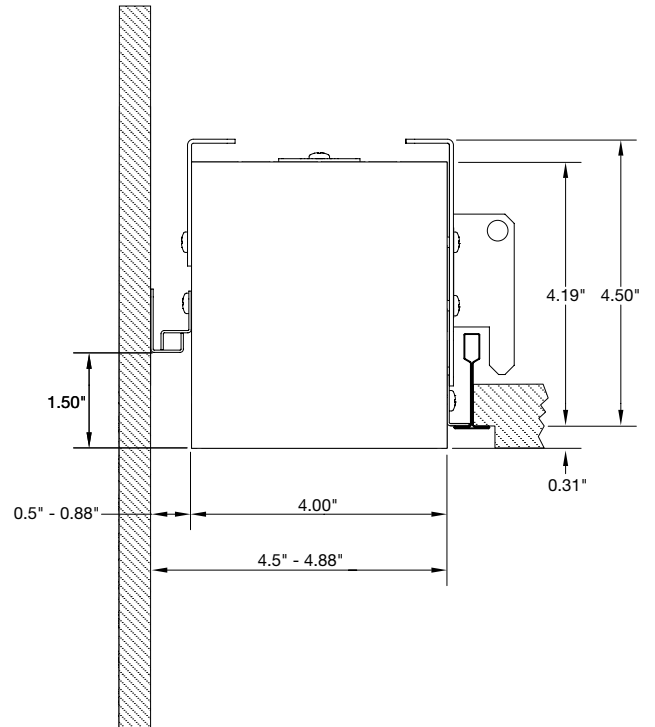
WALL/CEILING PREPARATION

Flush Lens Lay-In Grid



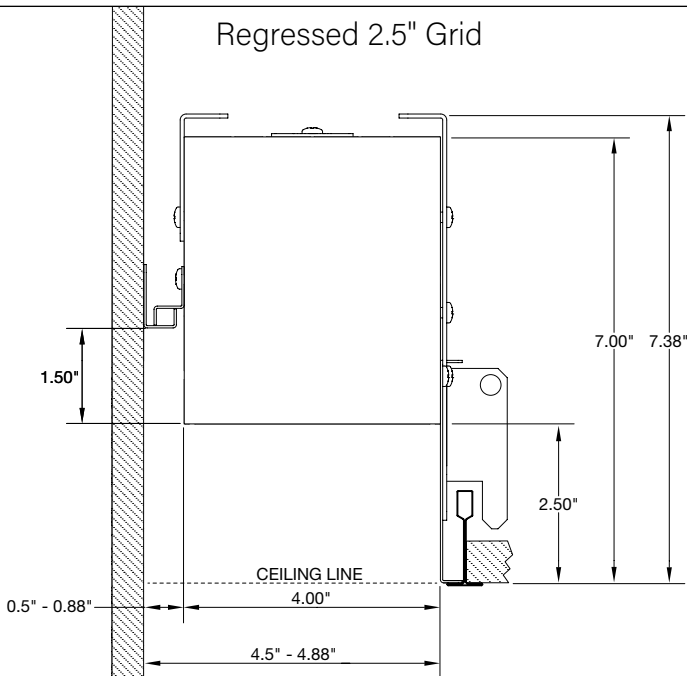
! GRID CEILING - 15/16" OR 9/16" FLAT TEE MAIN RUNNER REQUIRED FOR FINISH EDGE.

Flush Lens Slot Tee/Tegular



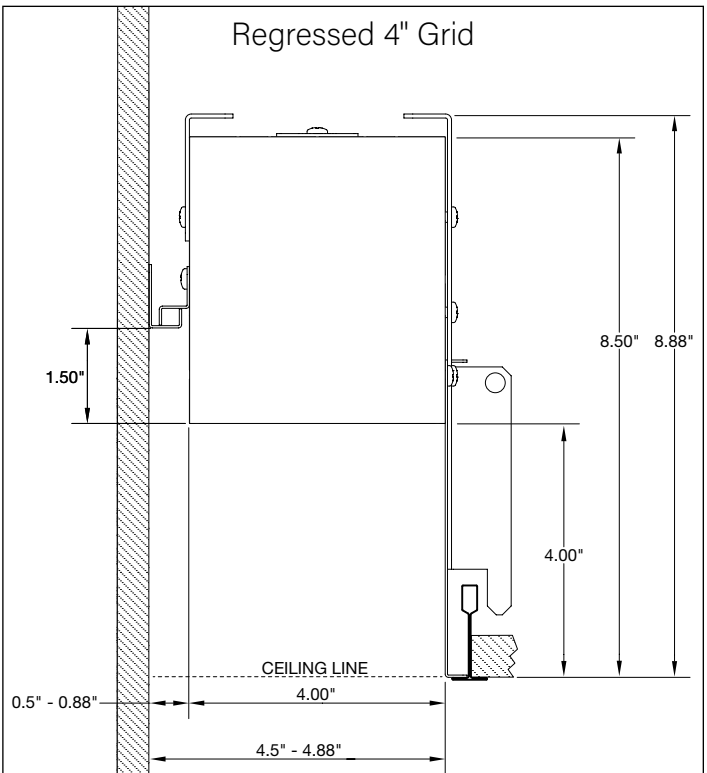
! GRID CEILING - 15/16" OR 9/16" FLAT TEE MAIN RUNNER REQUIRED FOR FINISH EDGE.

Regressed 2.5" Grid



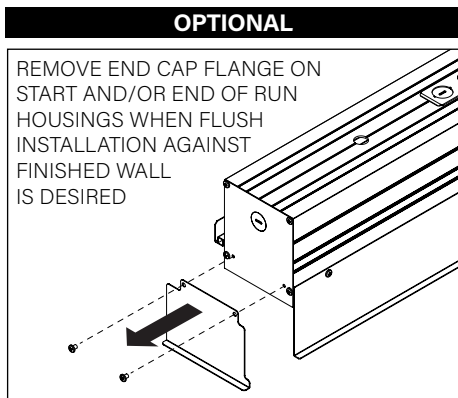
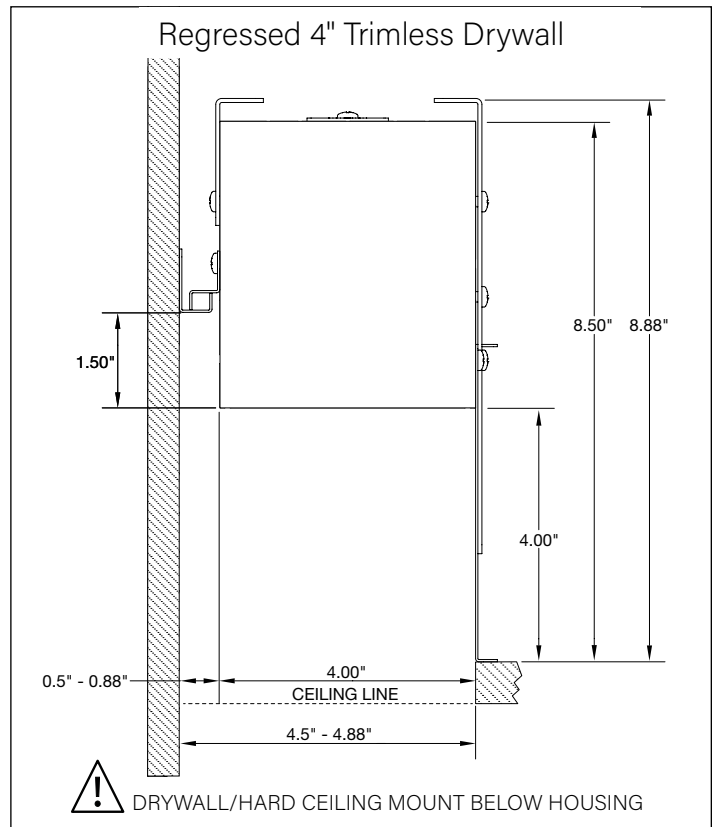
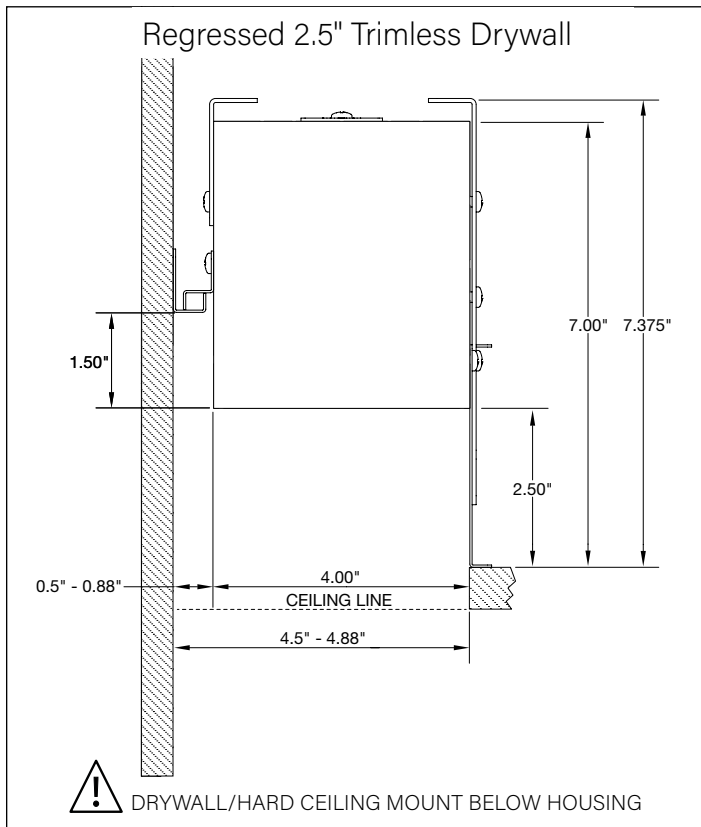
! GRID CEILING - 15/16" OR 9/16" FLAT TEE MAIN RUNNER REQUIRED FOR FINISH EDGE.

Regressed 4" Grid



! GRID CEILING - 15/16" OR 9/16" FLAT TEE MAIN RUNNER REQUIRED FOR FINISH EDGE.

WALL/CEILING PREPARATION

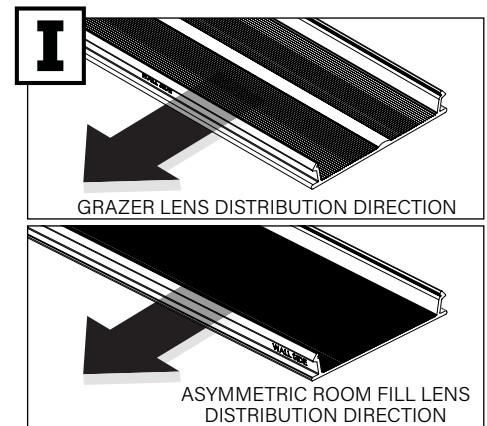


I

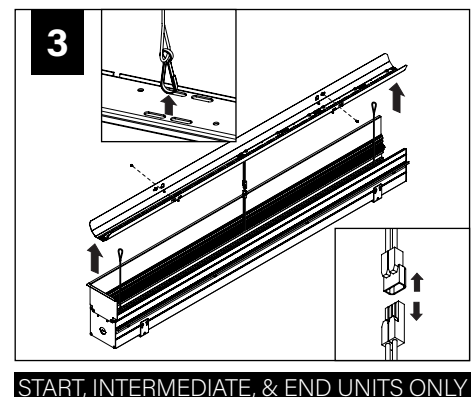
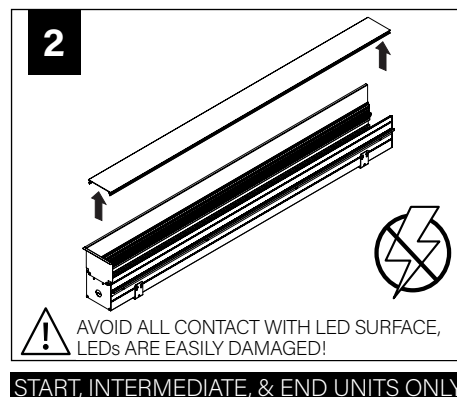
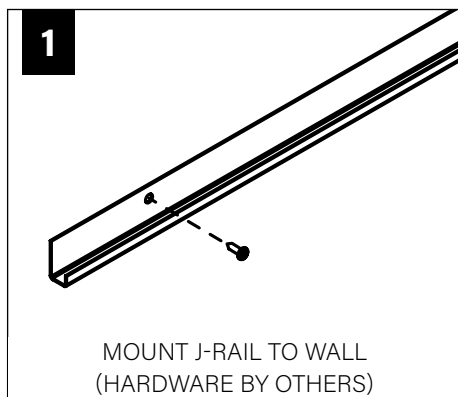
FOCAL POINT RECOMMENDS STARTING WITH CORNER INSTALLATION IF APPLICABLE

BASIC INSTALLATION, STEPS 1-13
ADJUSTABLE HOUSING, PAGE 3
SLIDING SLEEVES, PAGE 5
CORNERS, PAGE 6

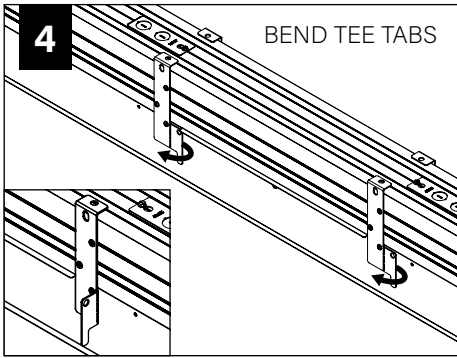
SLIDING SLEEVE PAIRS (SSB) START & END WITH A SLIDING SLEEVE



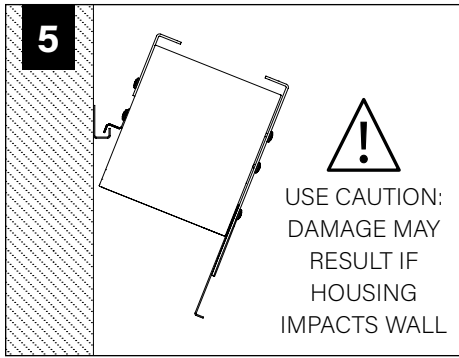
BASIC INSTALLATION



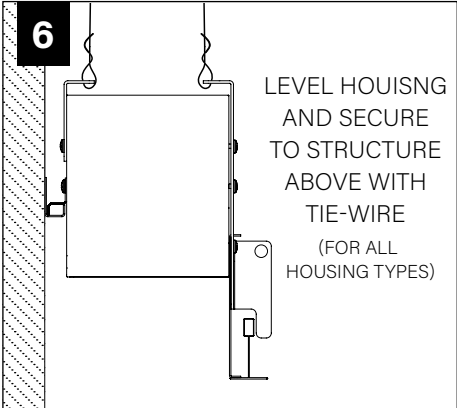
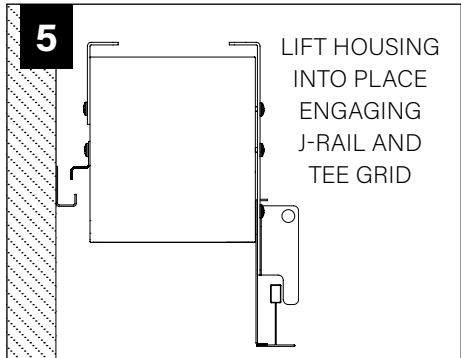
GRID



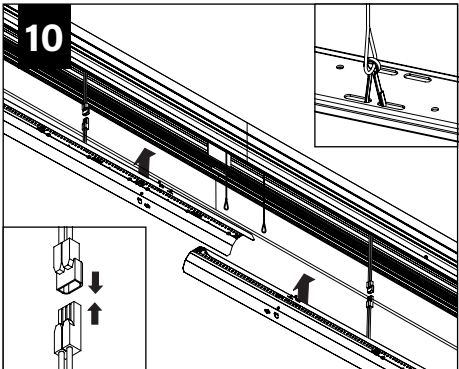
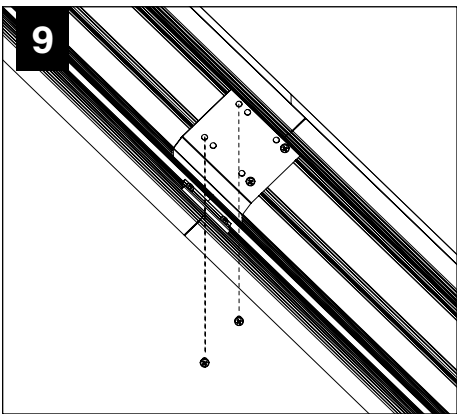
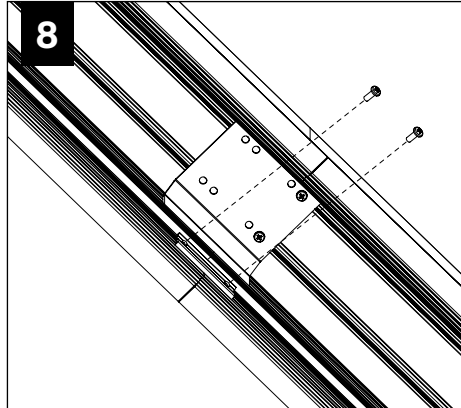
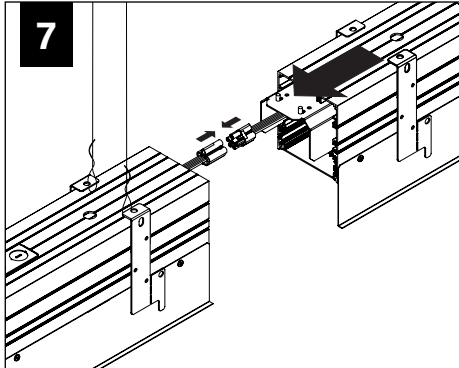
DRYWALL/HARD CEILING



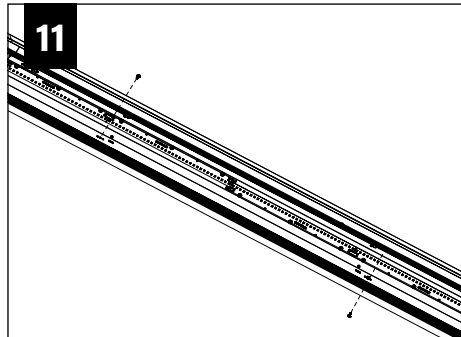
GRID



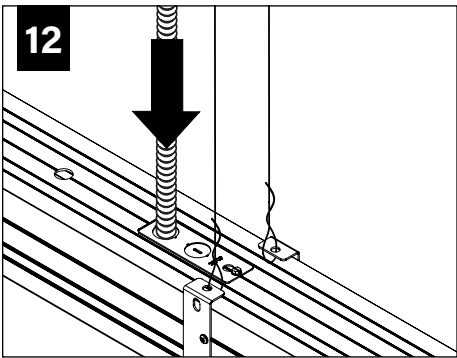
INDIVIDUAL HOUSING SKIP TO STEP 12



MAKE ELECTRICAL CONNECTIONS

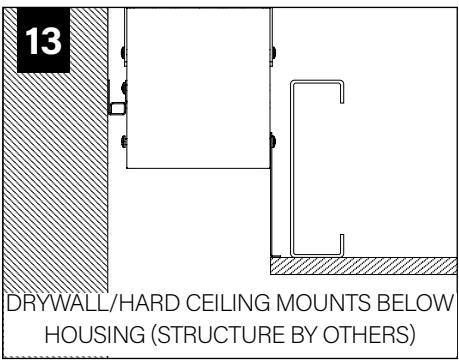


REPEAT STEPS 2 - 11 FOR EACH HOUSING SECTION



MAKE ELECTRICAL CONNECTIONS

DRYWALL/HARD CEILING



EMERGENCY

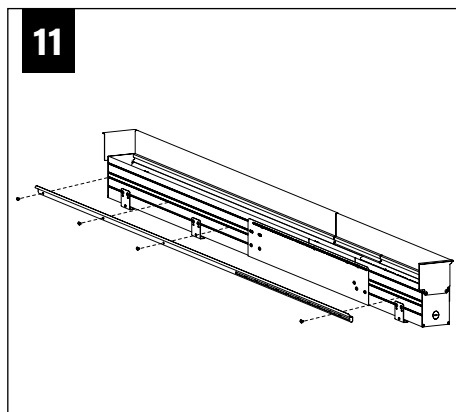
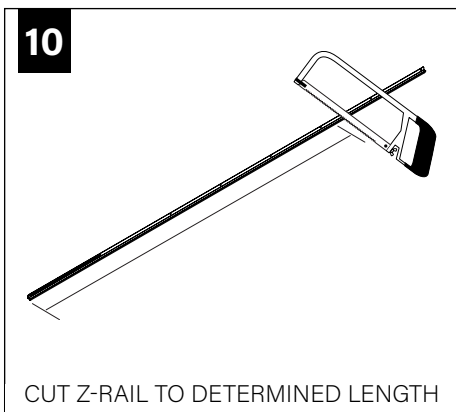
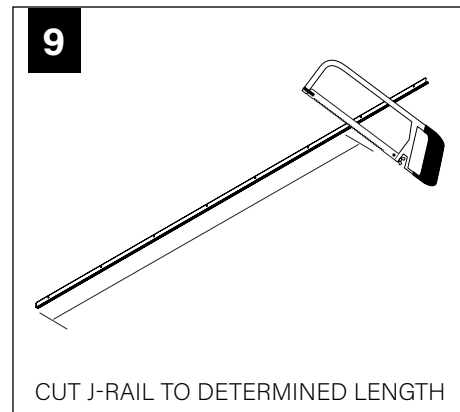
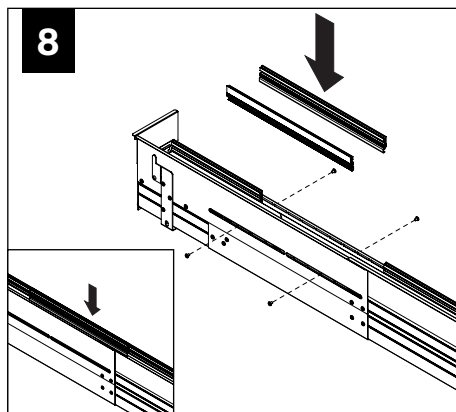
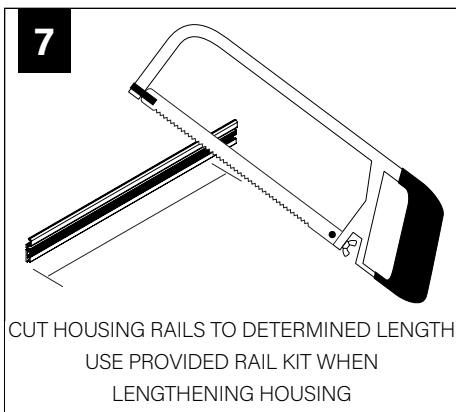
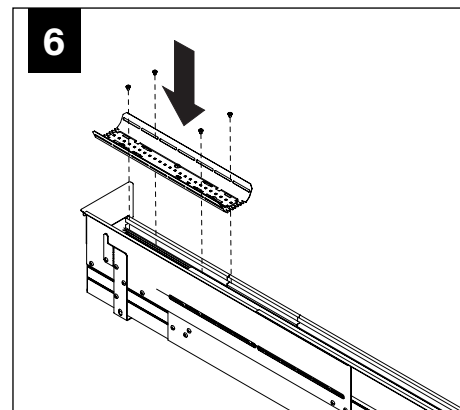
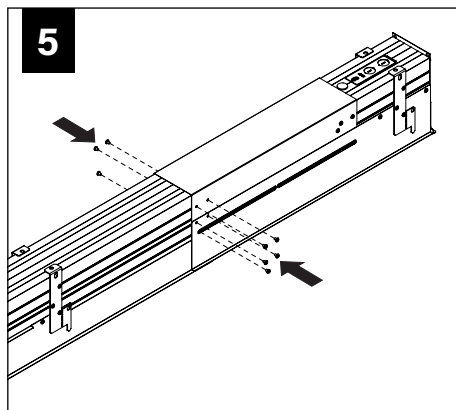
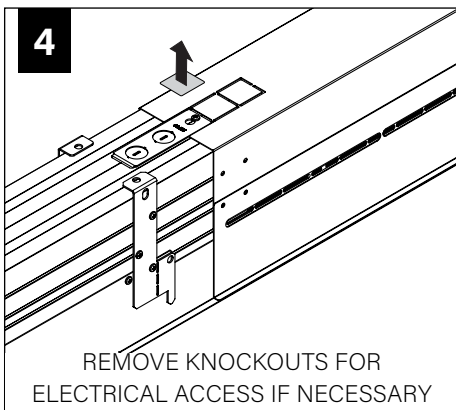
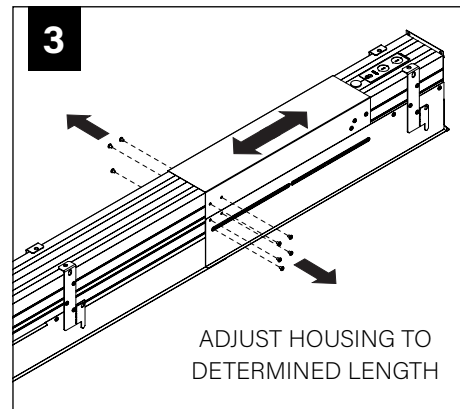
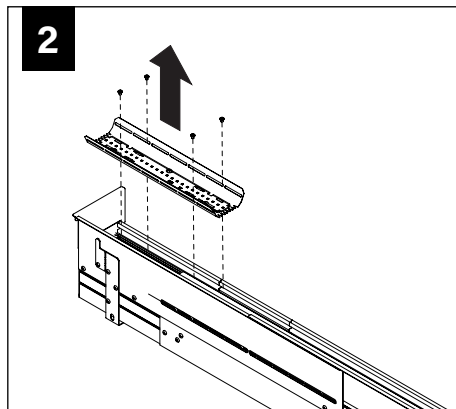
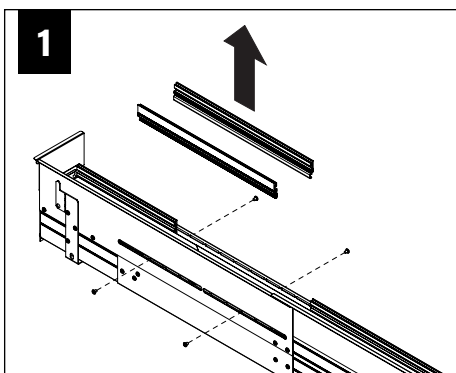
I

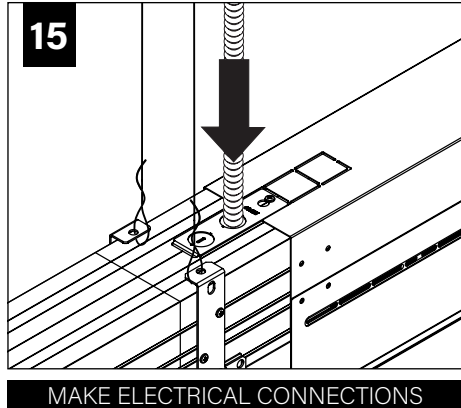
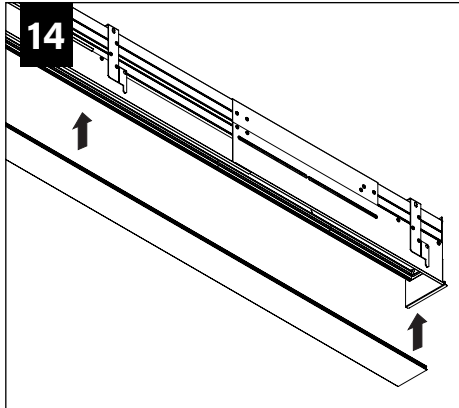
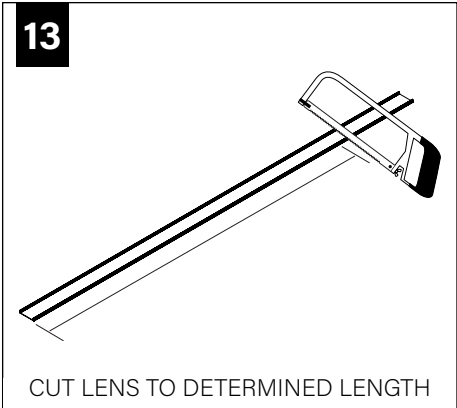
SEE BATTERY MANUFACTURER
INSTRUCTIONS

**EMERGENCY MAXIMUM MOUNTING HEIGHT
FROM FLOOR TO SURFACE OF LENS:
19.00'**

ADJUSTABLE HOUSING

IF HOUSING LENGTH IS CORRECT SKIP TO STEP 9





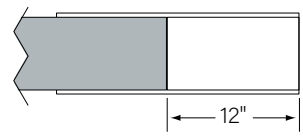
SLIDING SLEEVES

! MAX LENGTH 12" PER SLEEVE

! SLIDING SLEEVE DOES NOT INTEGRATE WITH ADJUSTABLE HOUSING

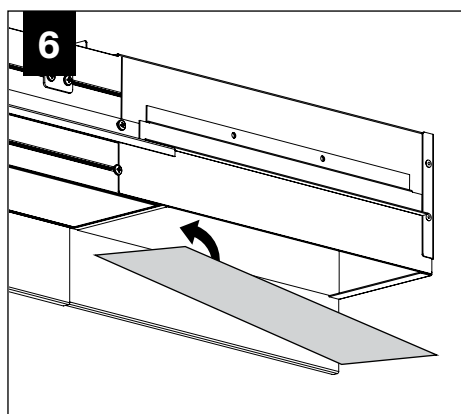
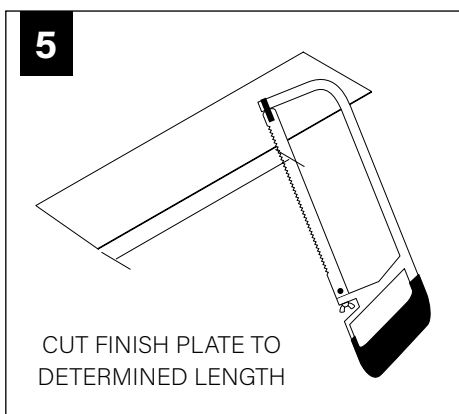
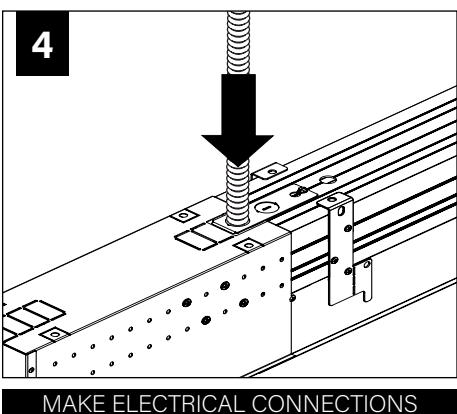
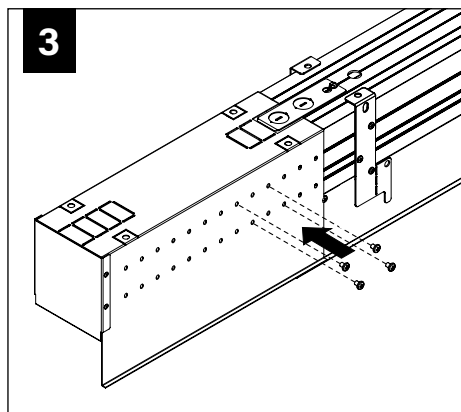
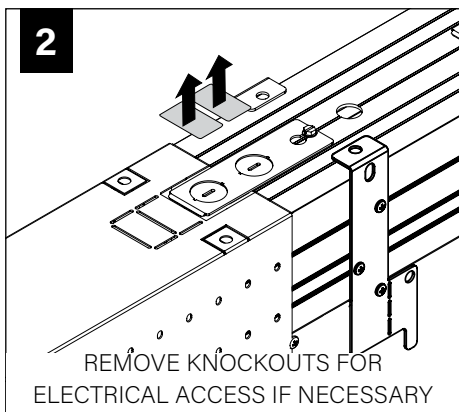
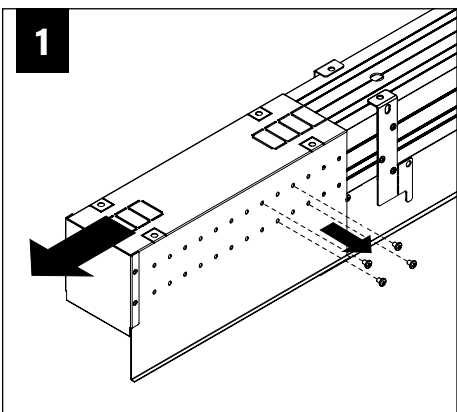
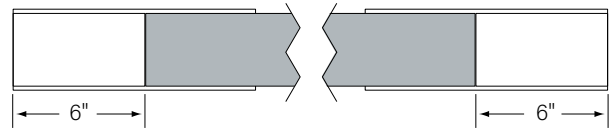
SINGLE SLIDING SLEEVE (SS):

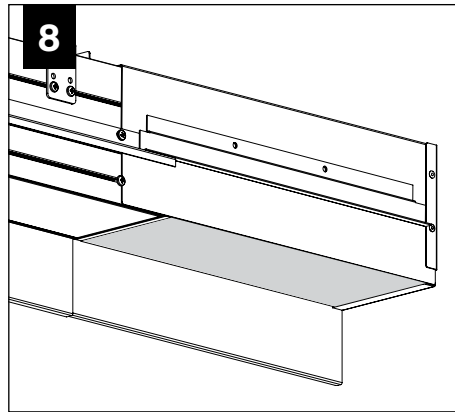
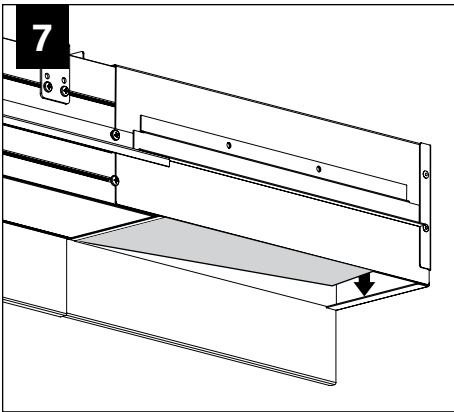
EXAMPLE:
21' RUN LENGTH - 20' HOUSING = 12" SLIDING SLEEVE



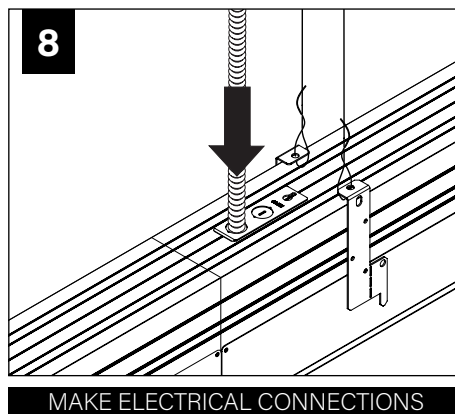
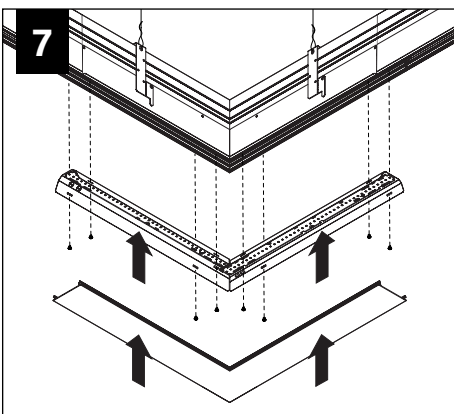
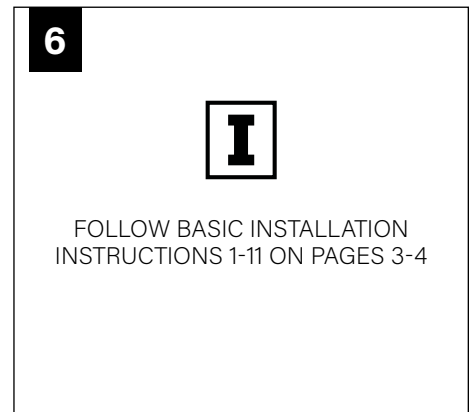
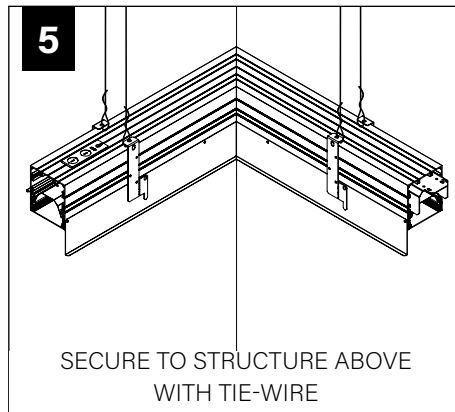
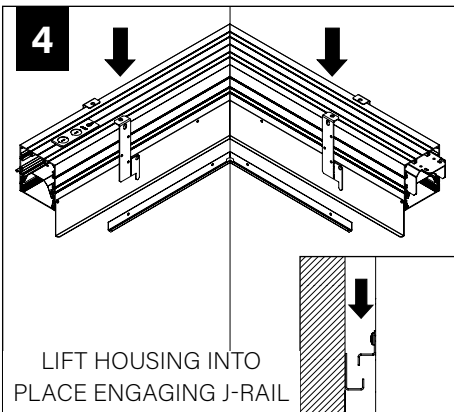
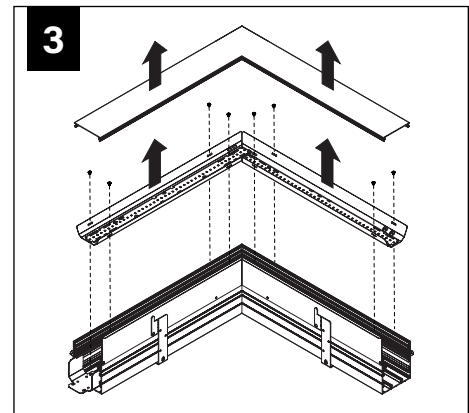
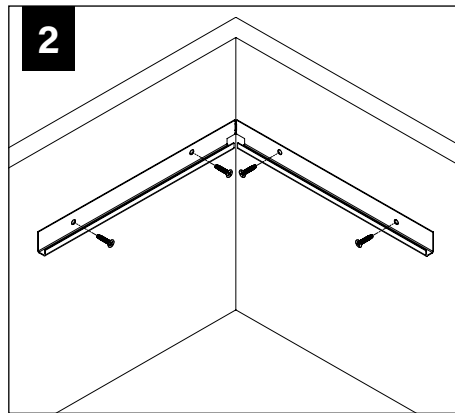
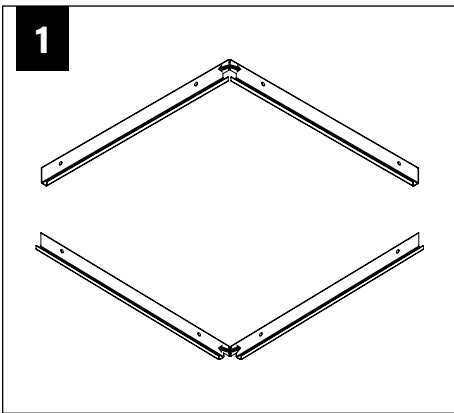
SLIDING SLEEVE PAIR (SSB):

EXAMPLE:
(21' RUN LENGTH - 20' HOUSING) / 2 = 6" SLIDING SLEEVE ON EACH END

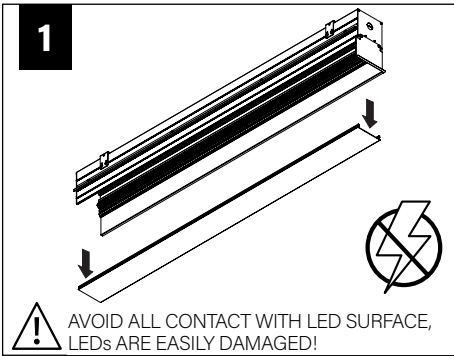




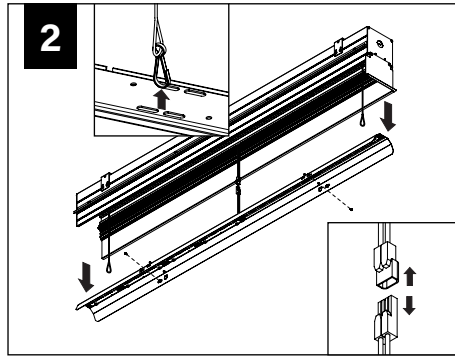
CORNERS



DRIVER SERVICE



START, INTERMEDIATE, & END UNITS ONLY

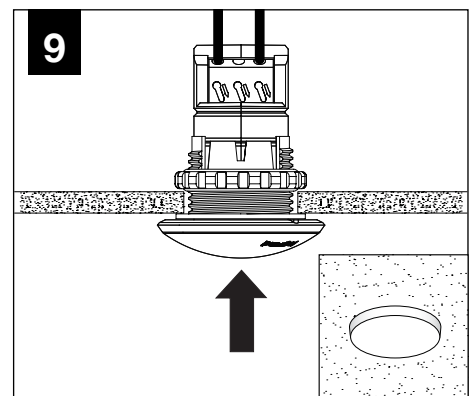
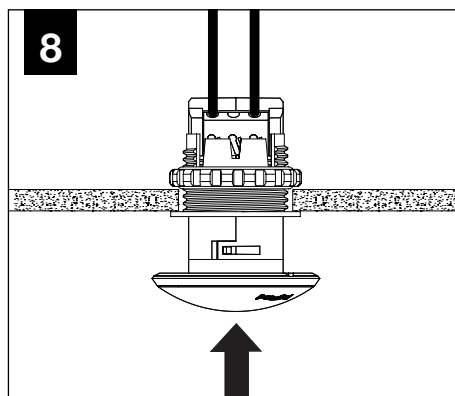
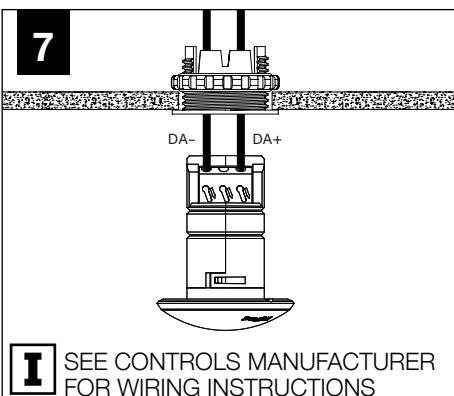
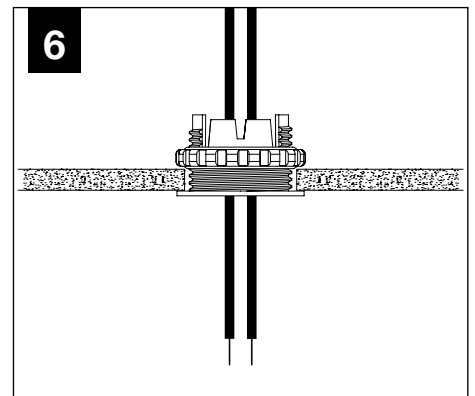
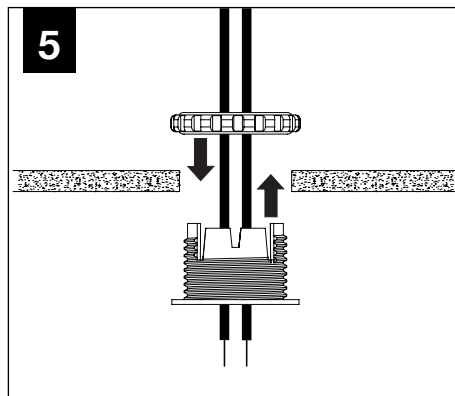
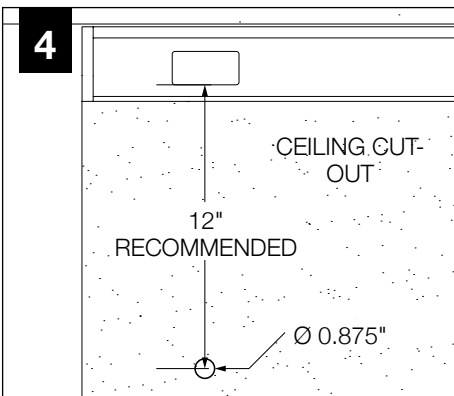
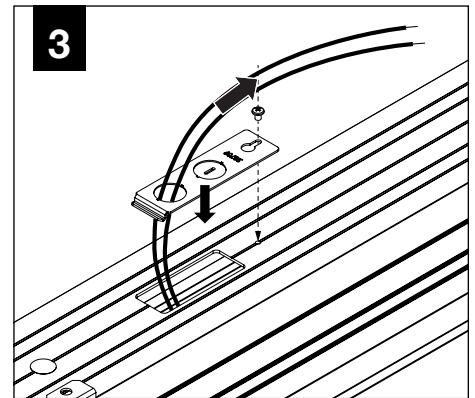
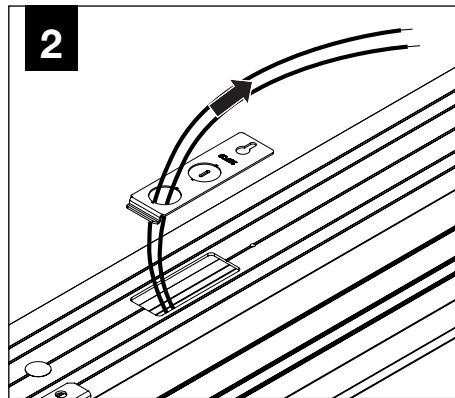
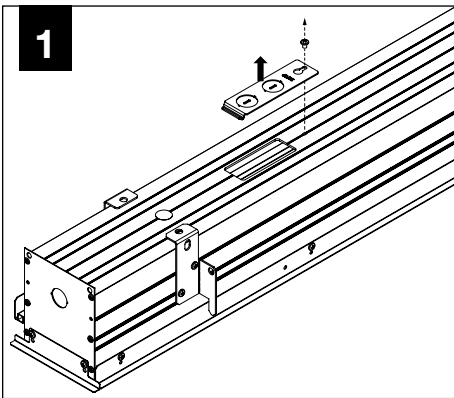


START, INTERMEDIATE, & END UNITS ONLY

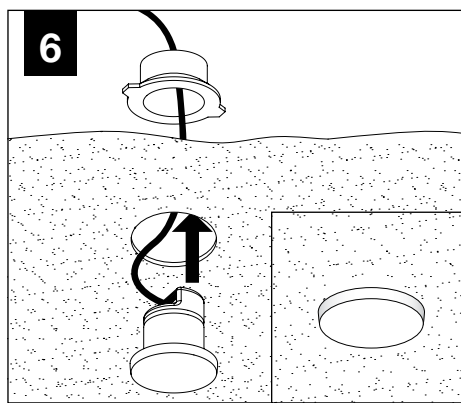
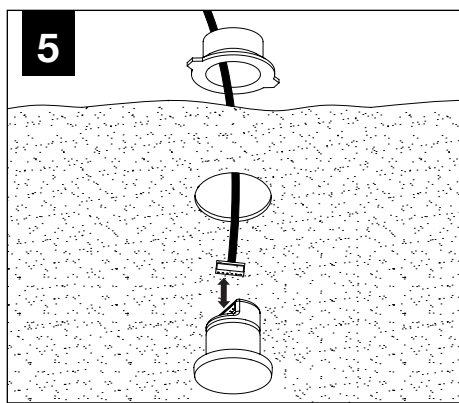
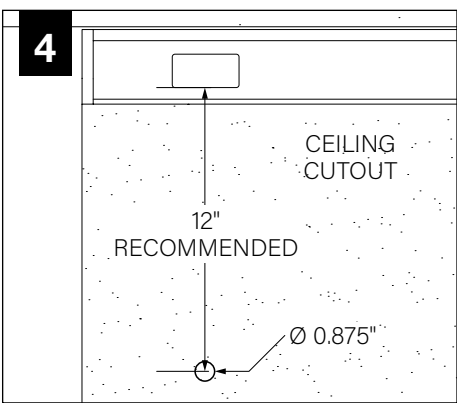
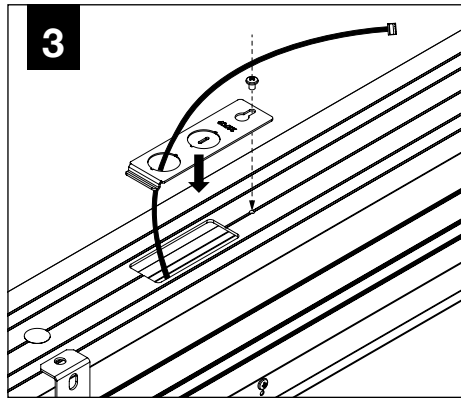
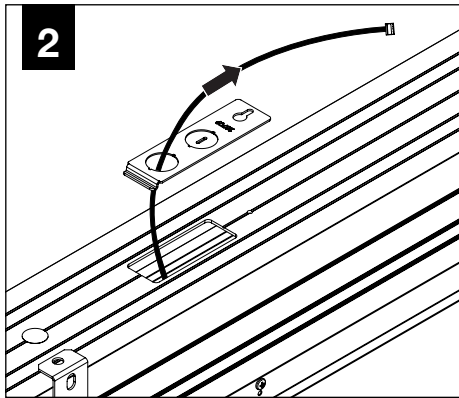
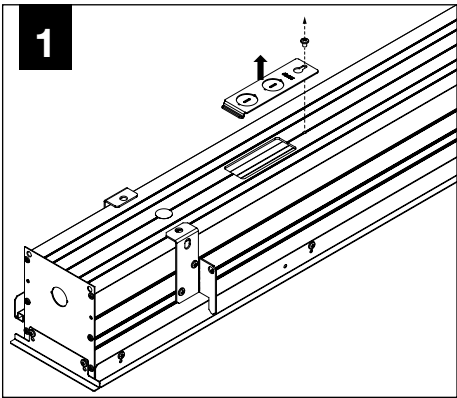


GRID ONLY

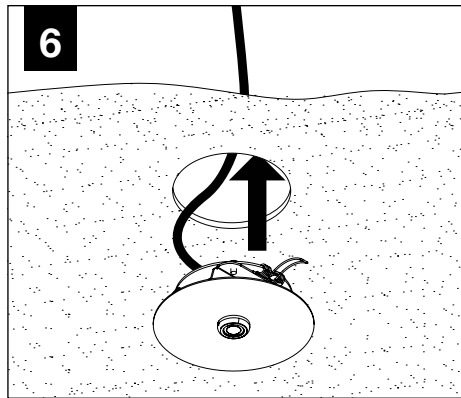
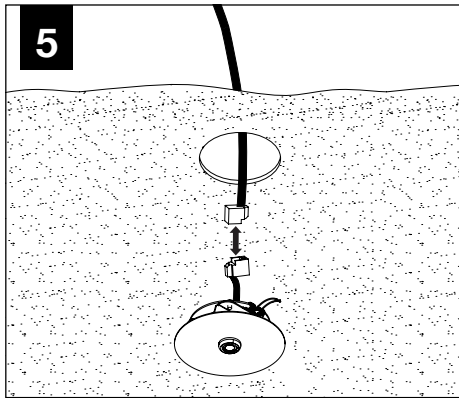
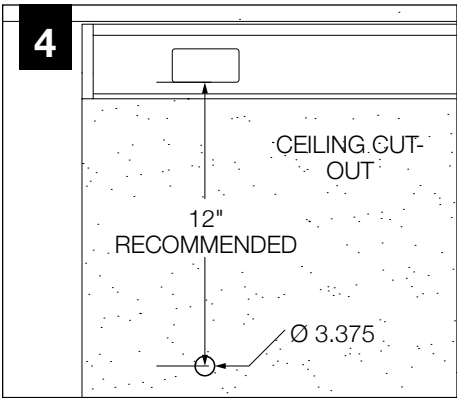
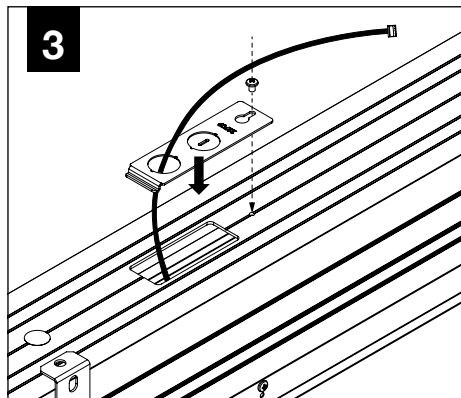
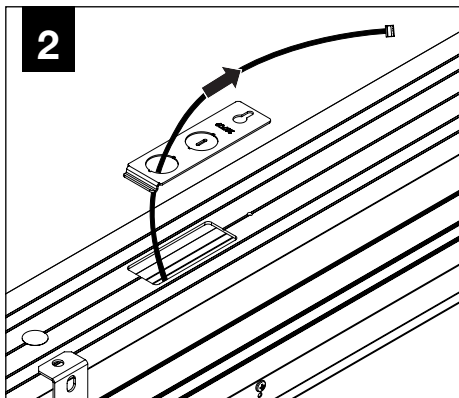
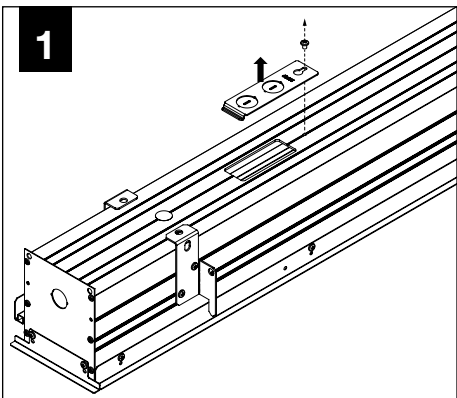
WATTSTOPPER



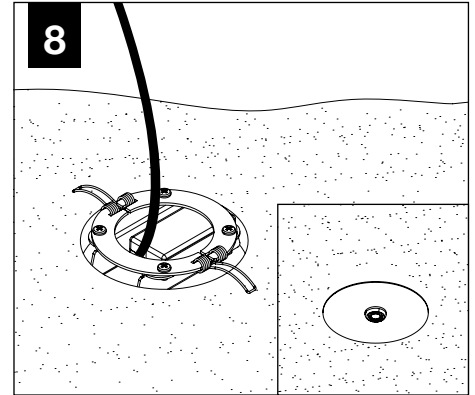
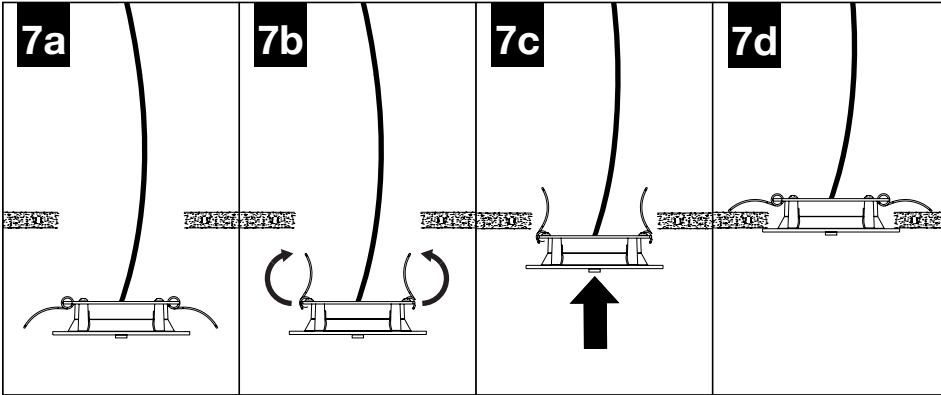
ENLIGHTED



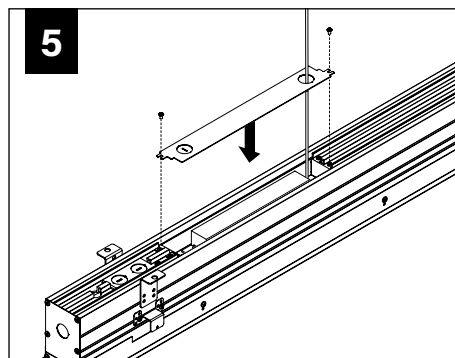
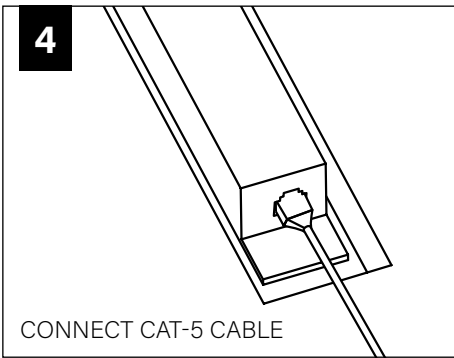
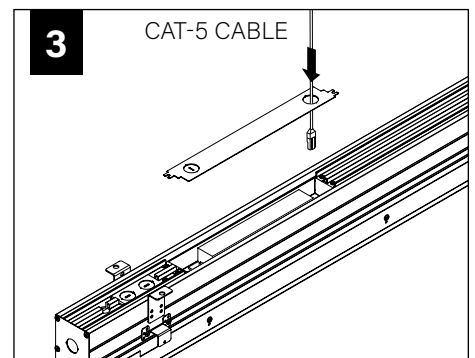
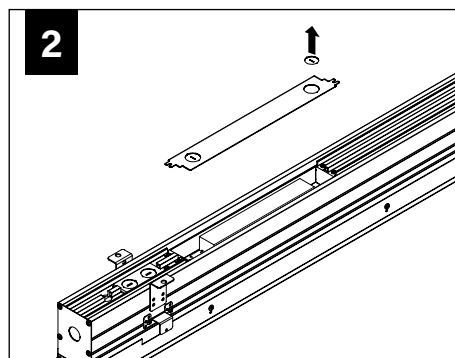
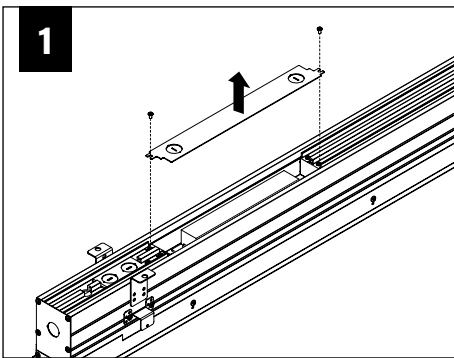
WAVELINX



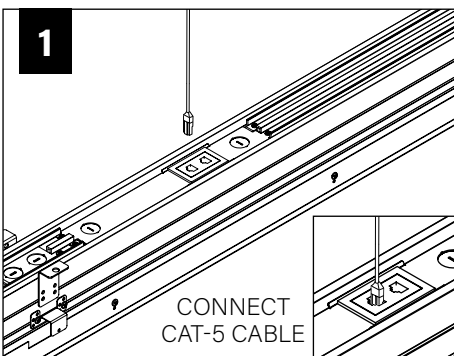
WAVELINX



ACUITY nLIGHT



WATTSTOPPER



HUBBELL NX

