

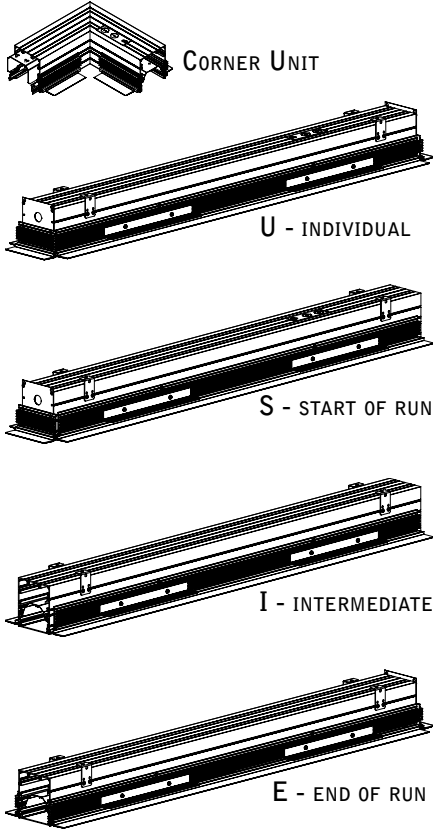
# seem 4™ LED mud-in drywall

FSM4L -XF



**! LUMINAIRE MUST BE INSTALLED PRIOR TO DRYWALL. !**  
**! CONFIGURATIONS ARE RUN SPECIFIC, PLEASE CONSULT FACTORY DRAWINGS BEFORE BEGINNING INSTALLATION. !**

## FOCAL POINT



## PARTS LISTS

### INCLUDED HARDWARE

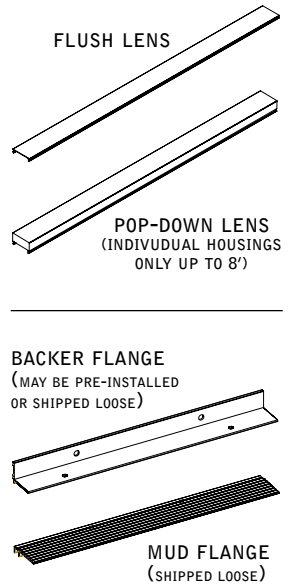
REFLECTOR (70008) (6-32 X 5/16 PAN-HEAD MACHINE SCREW)	MUD FLANGE (70005) (8-32 X 5/16" FLAT UNDERCUT HEAD SCREW)	BACKER FLANGE (72001) (8-32X 3/8" WASHER HEX HEAD SCREW)
HOUSING SPACER (11699)		

### SHIPPED INSTALLED

TIE-WIRE BRACKET SCREW (72010) (8-18 x 1/4 SELF TAPPING SCREW)	JOINER BRACKET (11849)
TIE WIRE BRACKET (12547)	JOINER BRACKET (11920)
JOINER BRACKET (REGRESS LENS) (A32110-01)	ALIGNMENT PIN (REGRESS LENS) (22372)
(72074)	ALIGNMENT BRACKET (REGRESS LENS) (A22092-01)
(A32074-01)	ALIGNMENT BRACKET SCREW (REGRESS LENS) (72029)

## KEY

- POWER OFF
- POWER ON
- ATTENTION



## BACKER FLANGE PLACEMENT GUIDE

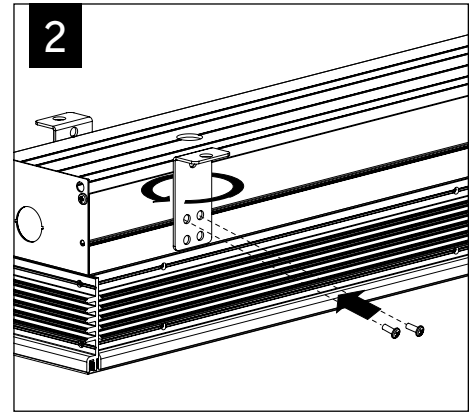
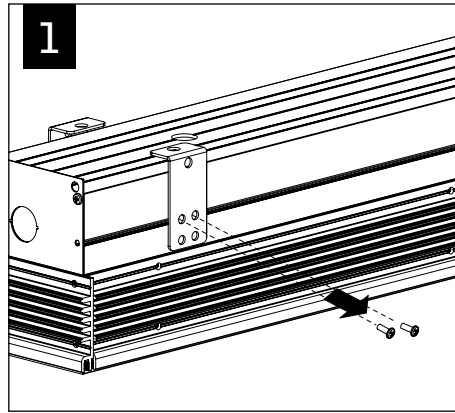
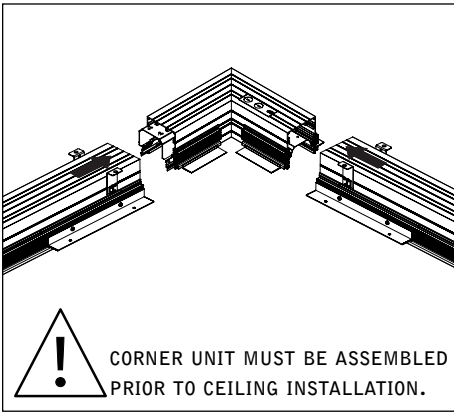
DRYWALL THICKNESS	ORIENTATION	GUIDE POINT	POSITION
3/8"	1	X	F
1/2"	1	X	E
5/8"	1	X	D
3/4"	1	X	C
7/8"	1	X	B
1"	1	X	A
1 1/8"	1	Y	G
1 1/4"	2	Y	F
1 3/8"	2	Y	E
1 1/2"	2	Y	D
1 5/8"	2	Y	C
1 3/4"	2	Y	B
1 7/8"	2	Y	A
2"	2	X	E
2 1/8"	2	X	D

**1/2" DRYWALL**

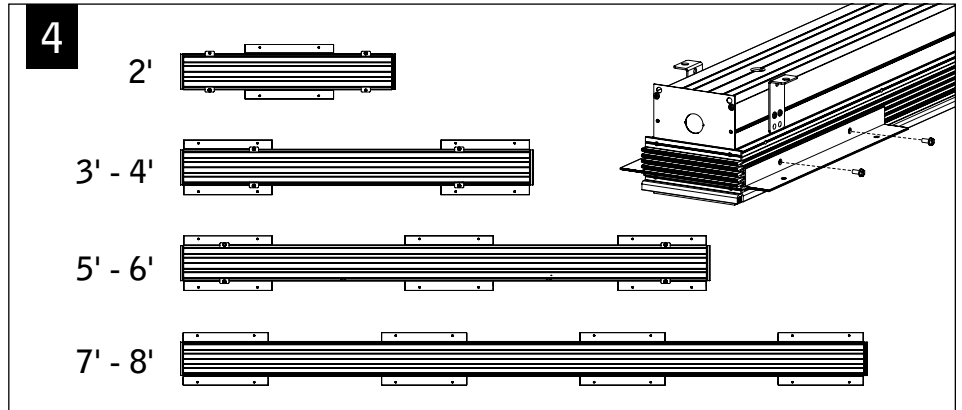
**5/8" DRYWALL**

Luminaires must be installed by a qualified electrician (check with local and national codes for proper installation).  
 To prevent electrical shock, disconnect electrical supply before installation or servicing.

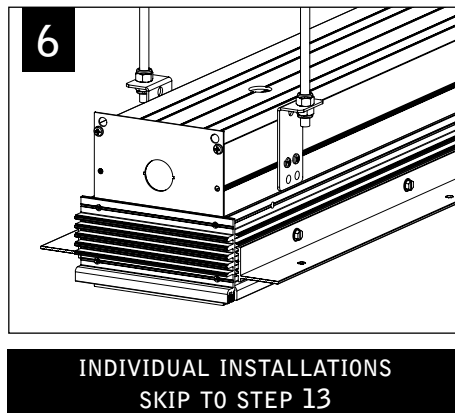
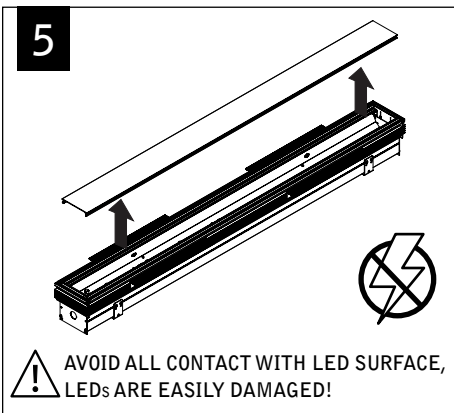
# CEILING INSTALLATION (SEE PAGE 4 FOR WALL INSTALLATION)



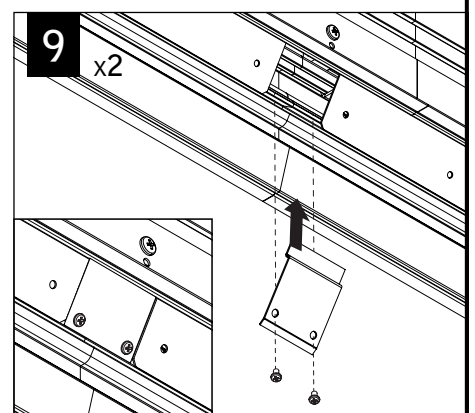
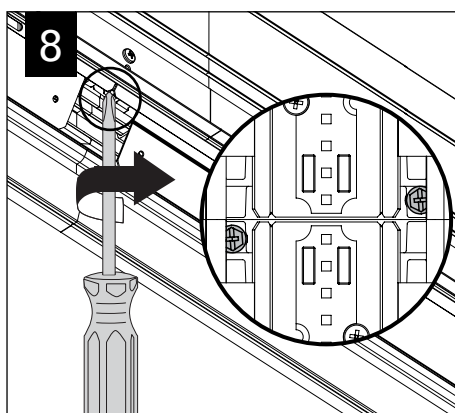
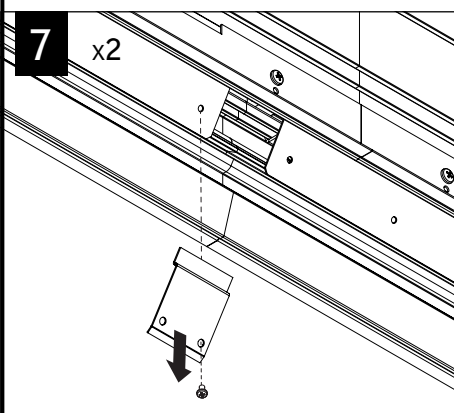
**3** USING THE BACKER FLANGE PLACEMENT GUIDE FROM PAGE 1 DETERMINE THE PROPER PLACEMENT OF THE BACKER FLANGE FOR YOUR DRYWALL THICKNESS.



IF BACKER FLANGES WERE PRE-INSTALLED SKIP TO STEP 5

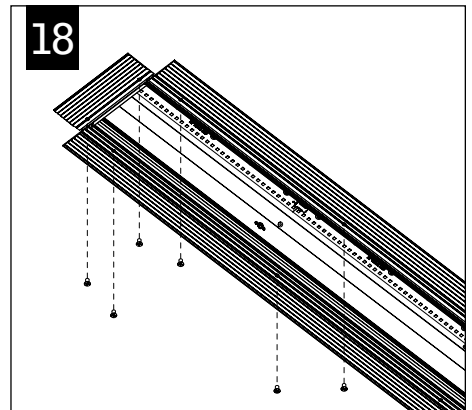
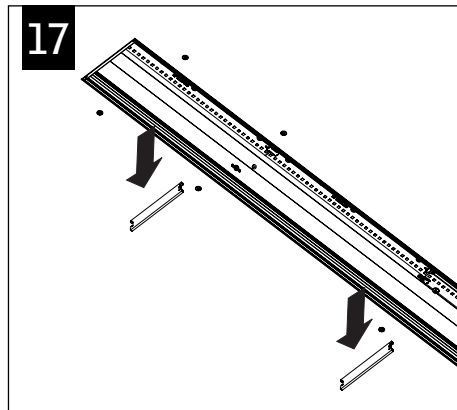
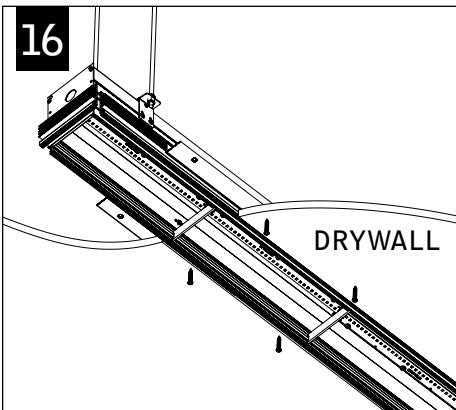
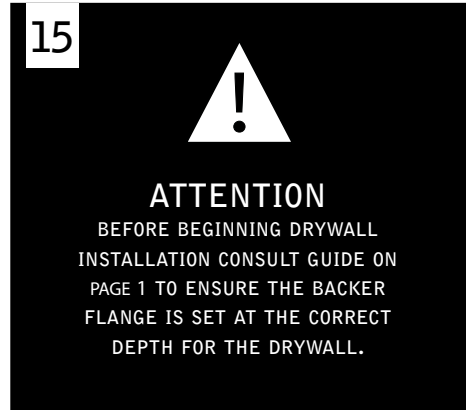
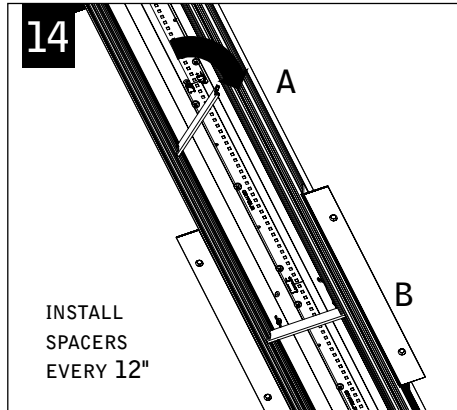
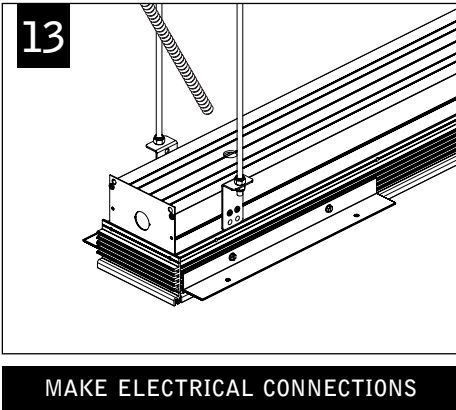
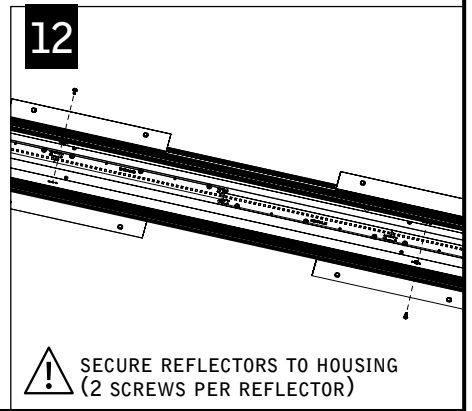
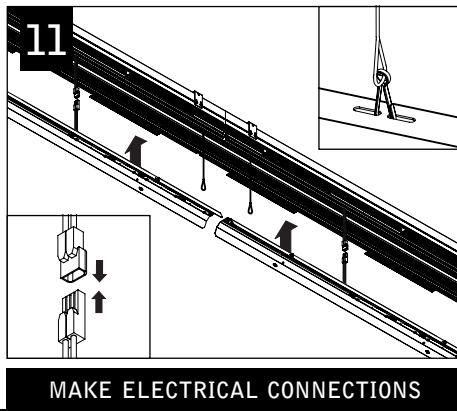
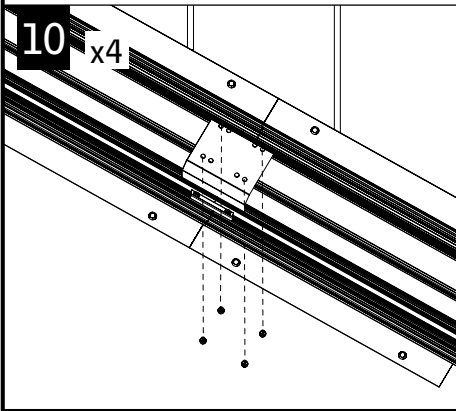
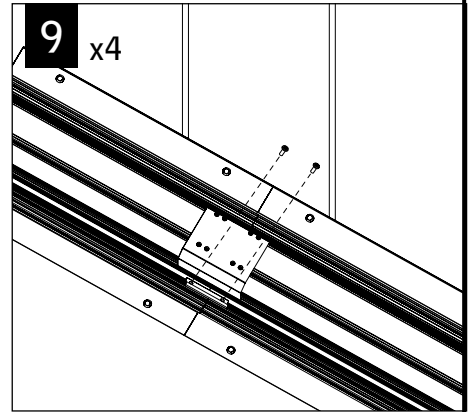
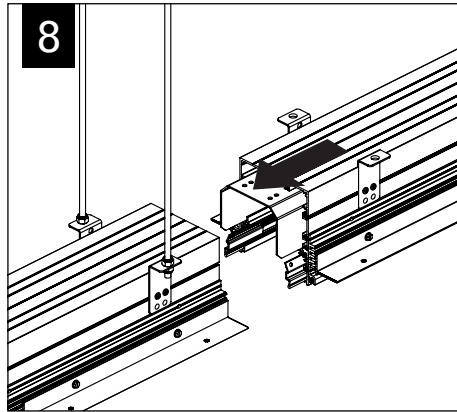
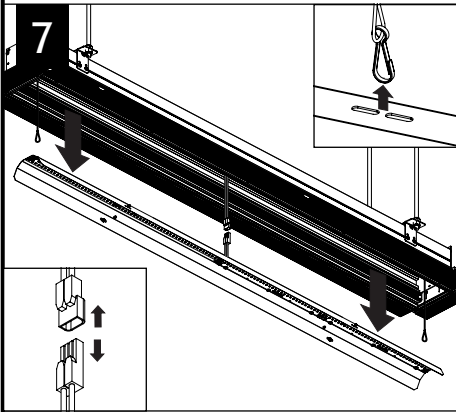


## REGRESS LENS

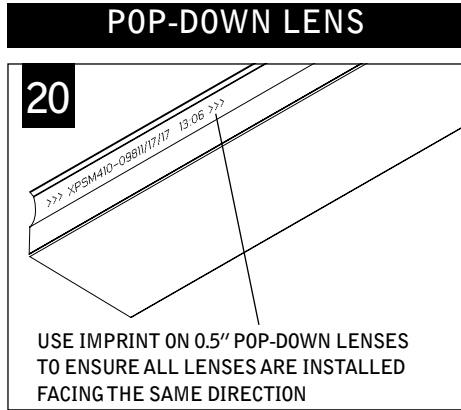
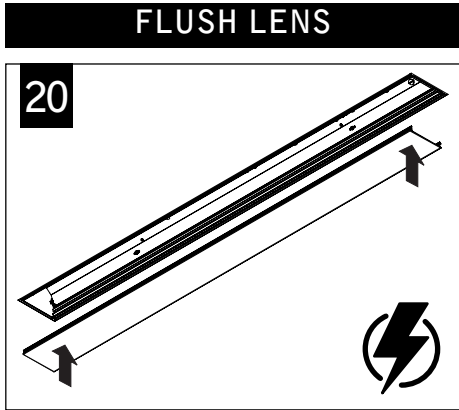
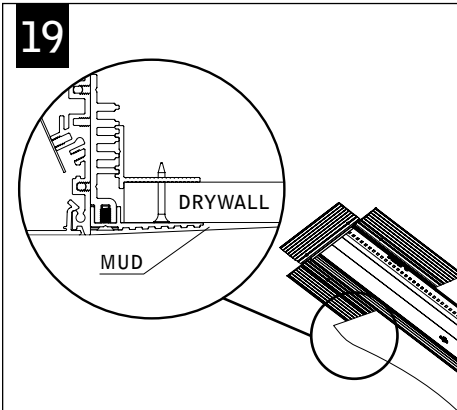


Luminaires must be installed by a qualified electrician (check with local and national codes for proper installation). To prevent electrical shock, disconnect electrical supply before installation or servicing.

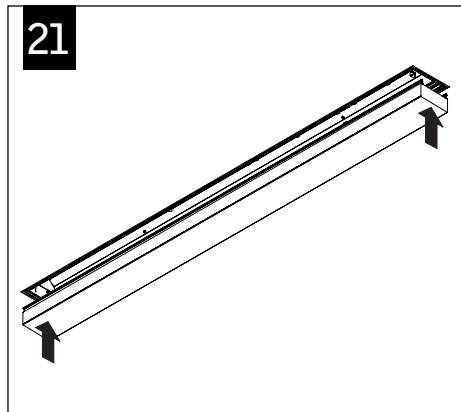
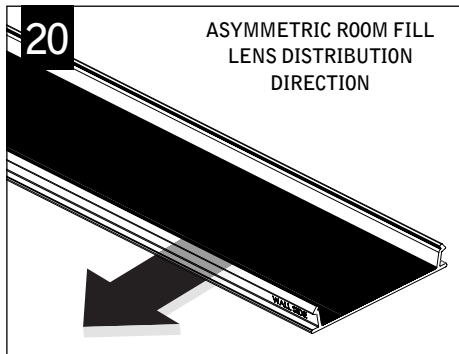
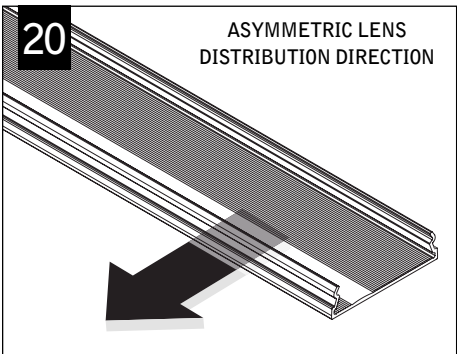
# FLUSH /POP-DOWN LENS



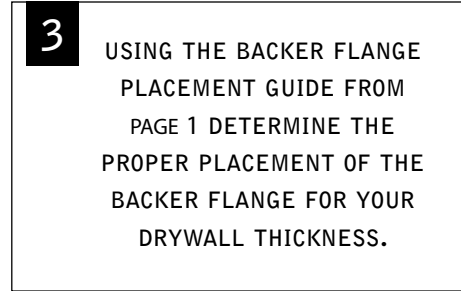
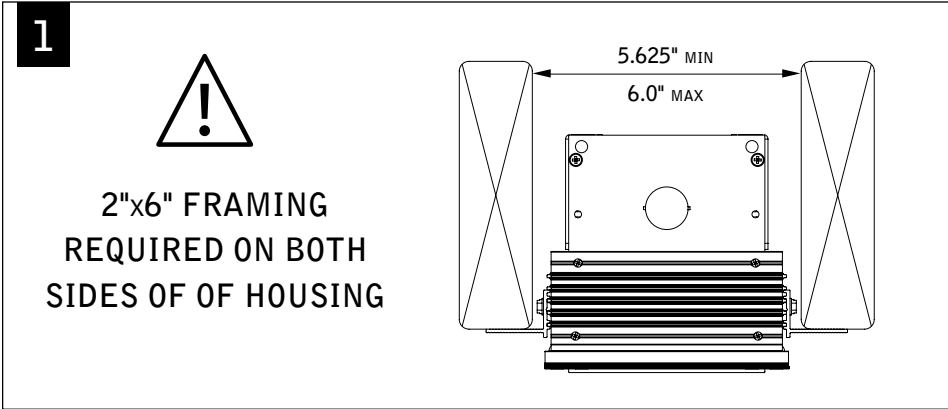
Luminaires must be installed by a qualified electrician (check with local and national codes for proper installation).  
To prevent electrical shock, disconnect electrical supply before installation or servicing.



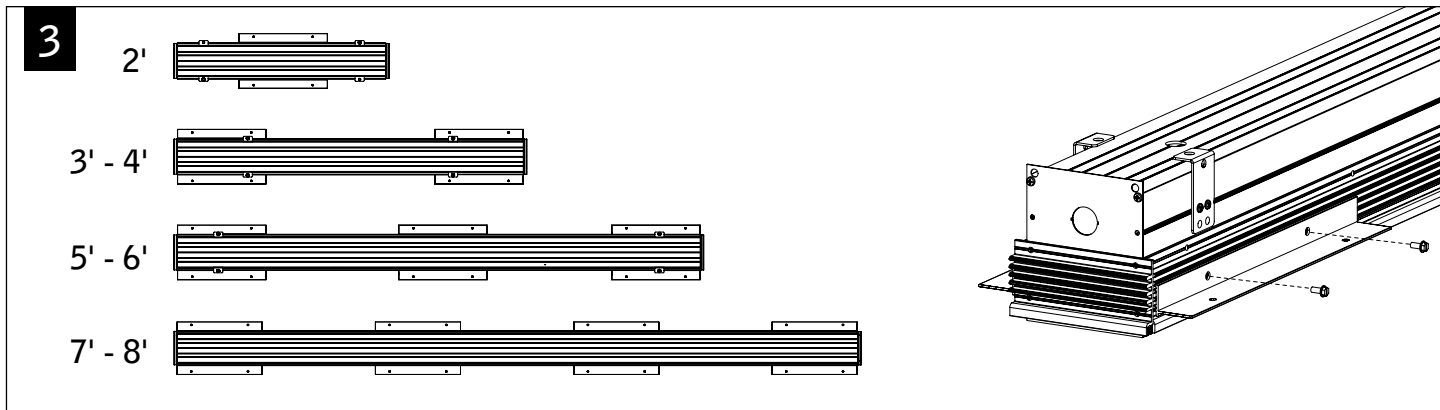
**ASYMMETRIC LENS**



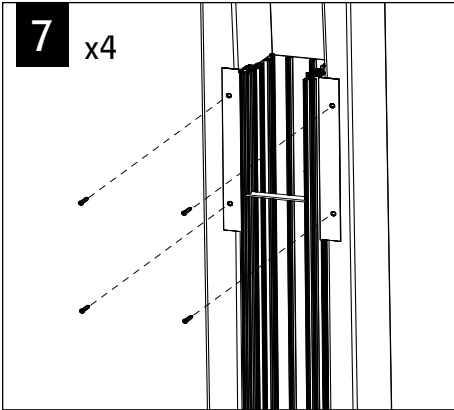
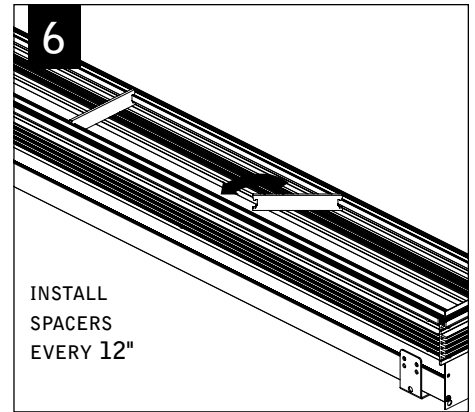
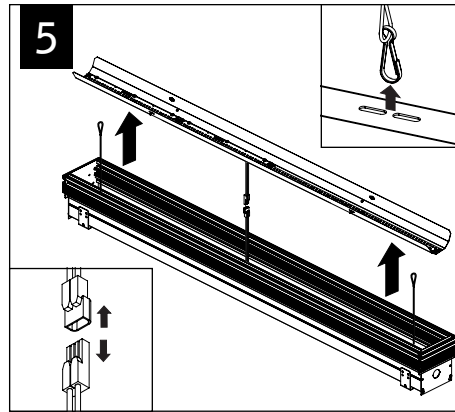
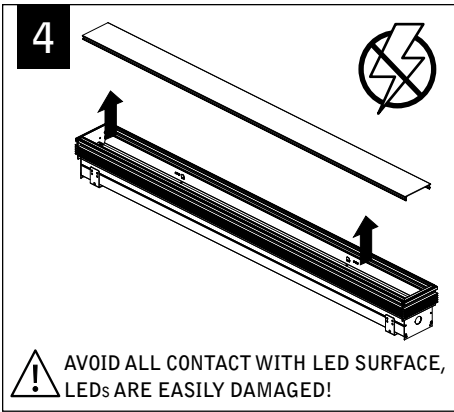
**WALL INSTALLATION**



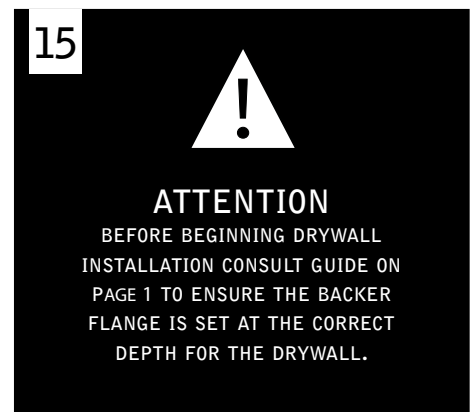
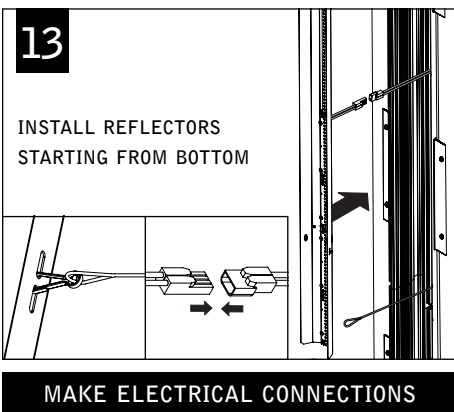
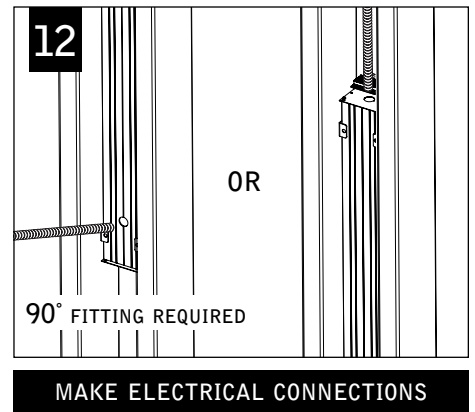
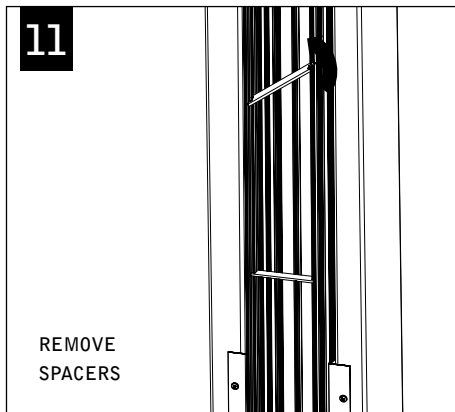
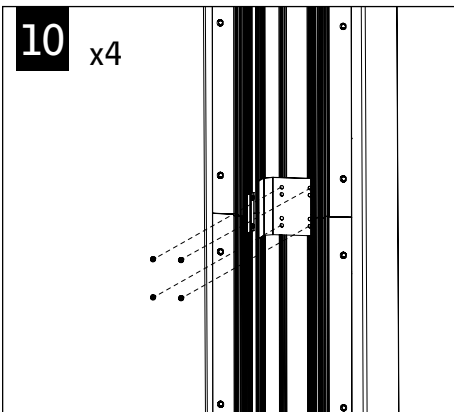
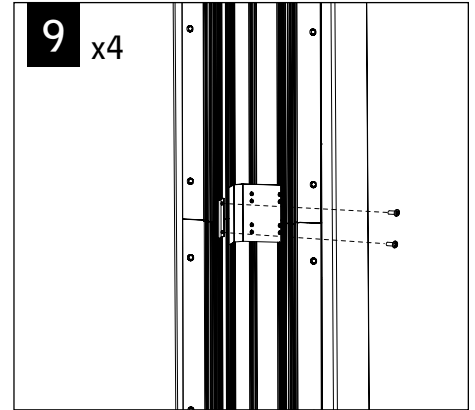
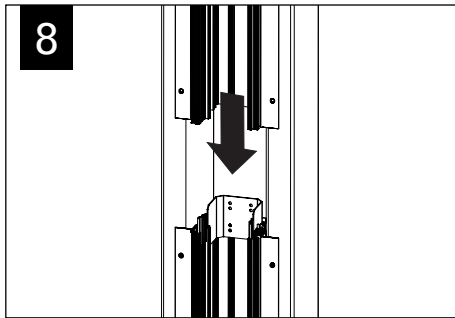
IF BACKER FLANGES WERE PRE-INSTALLED SKIP TO STEP 4



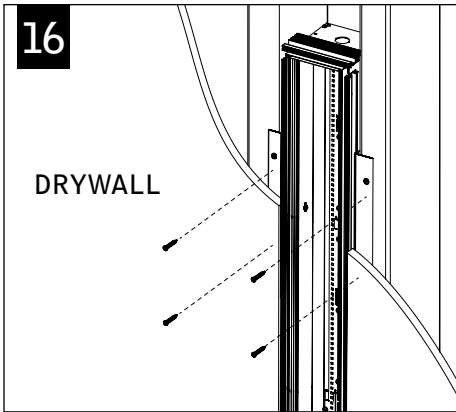
Luminaires must be installed by a qualified electrician (check with local and national codes for proper installation). To prevent electrical shock, disconnect electrical supply before installation or servicing.



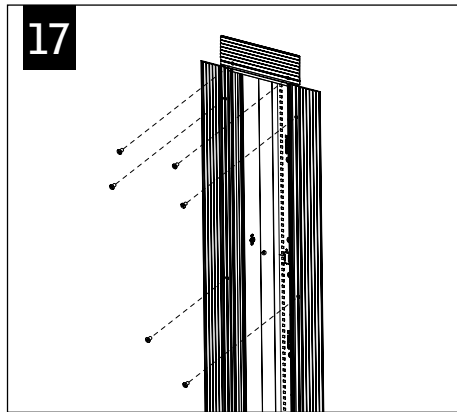
INDIVIDUAL INSTALLATIONS SKIP  
TO STEP 12



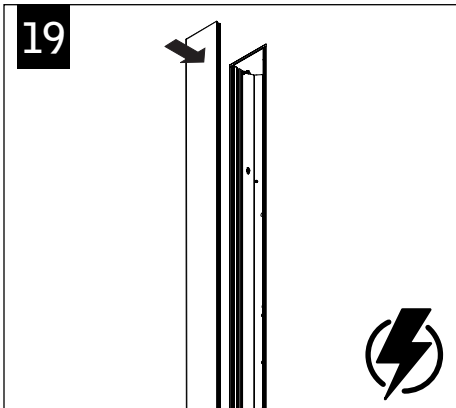
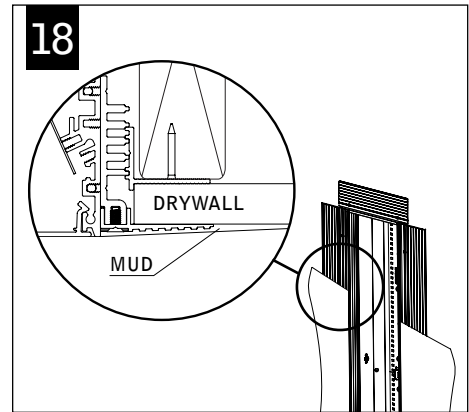
Luminaires must be installed by a qualified electrician (check with local and national codes for proper installation).  
To prevent electrical shock, disconnect electrical supply before installation or servicing.



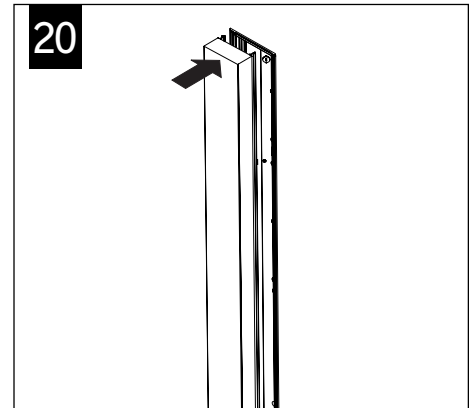
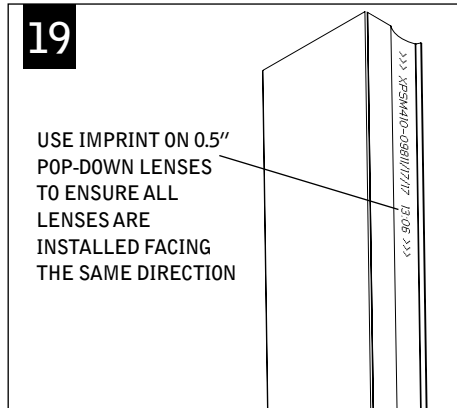
**FLUSH LENS**



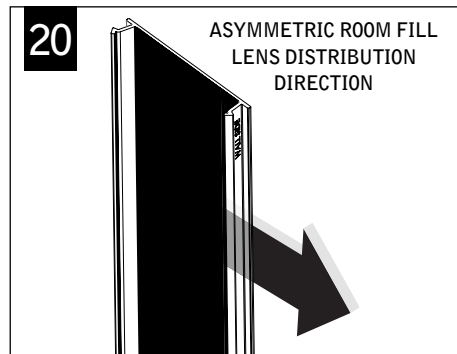
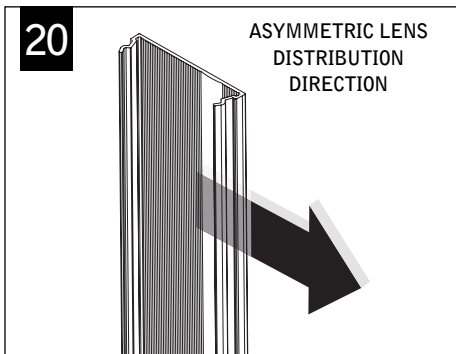
**POP-DOWN LENS**



**ASYMMETRIC LENS**



**EMERGENCY**

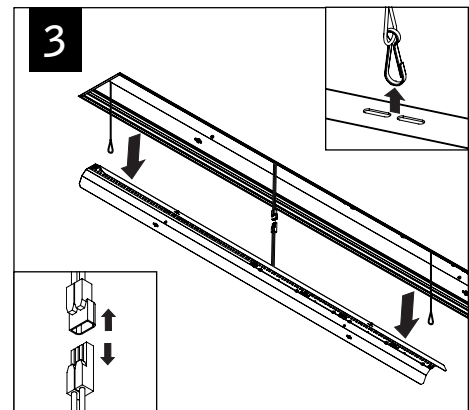
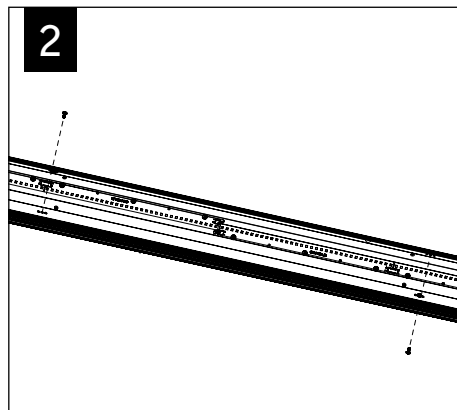
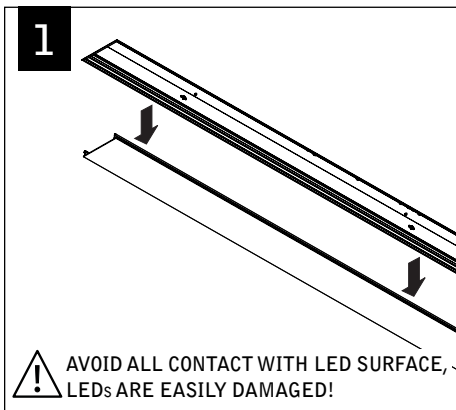


**I**

**SEE BATTERY MANUFACTURER INSTRUCTIONS**

EMERGENCY MAXIMUM MOUNTING HEIGHT:  
13.00'

**DRIVER SERVICE**



Contractor is responsible for adequately reinforcing walls and/or ceilings to support luminaire weight. Focal Point, LLC accepts no responsibility for inadequately reinforced walls and/or ceilings. The information contained in this drawing is the sole property of Focal Point, LLC. Any reproduction in part or whole without the written permission of Focal Point, LLC is prohibited.