

# Seem® 4 LED

Grid Ceiling Regressed Lens | FSM4L-SR



FOCAL POINT®

## BEFORE YOU BEGIN

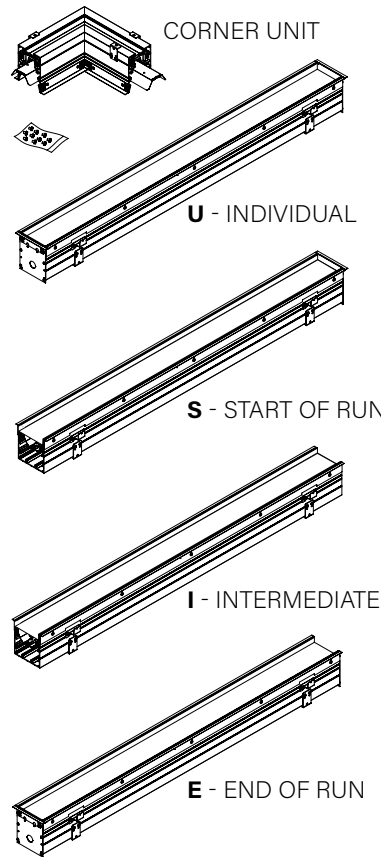
- Luminaires must be installed by a qualified electrician (check with local and national codes for proper installation).
- To prevent electrical shock, disconnect electrical supply before installation or servicing.
- Contractor is responsible for adequately reinforcing walls and/or ceilings to support fixture weight.
- Focal Point, LLC accepts no responsibility for inadequately reinforced walls and/or ceilings.
- The information contained in this drawing is the sole property of Focal Point, LLC. Any reproduction in part or whole without the written permission of Focal Point, LLC is prohibited.

## INSTRUCTION KEY

-  **ATTENTION**
-  **SEE ADDITIONAL INSTRUCTIONS**
-  **POWER OFF**
-  **POWER ON**

## COMPONENT KEY

### FOCAL POINT

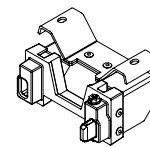
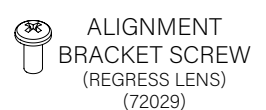
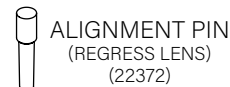
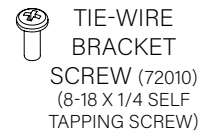


 INDIVIDUAL UNITS CANNOT BE JOINED IN THE FIELD.

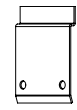
### INCLUDED HARDWARE



### PARTS SHIPPED INSTALLED

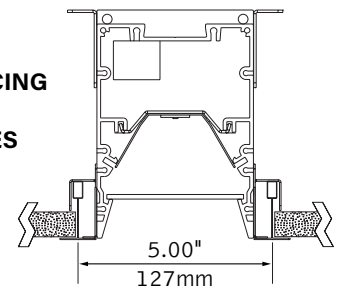


JOINER BRACKET (REGRESS LENS) (A20081-01)



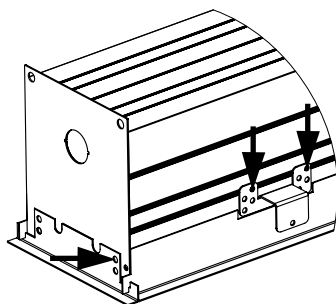
ALIGNMENT BRACKET (REGRESS LENS) (A22092-01)

 **GRID SPACING FOR ALL GRID TYPES**

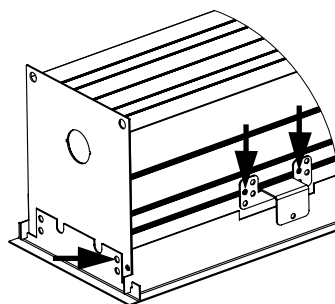


## RAIL & CLIP GUIDE

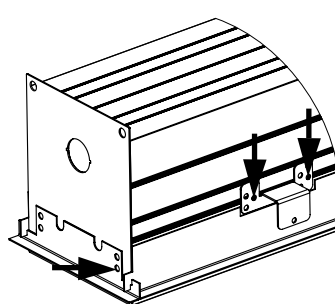
 **CHECK RAIL & CLIP POSITIONS BEFORE INSTALLATION. ARROWS INDICATE SCREW POSITIONS. TO CHANGE IN THE FIELD REMOVE AND REINSTALL ACCORDING TO DIAGRAMS BELOW.**



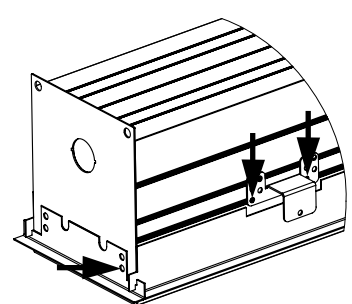
G1: STD 15/16" LAY-IN TILE  
G2: STD 9/16" LAY-IN TILE



G4: TALL 15/16" LAY-IN TILE  
G5: TALL 9/16" LAY-IN TILE



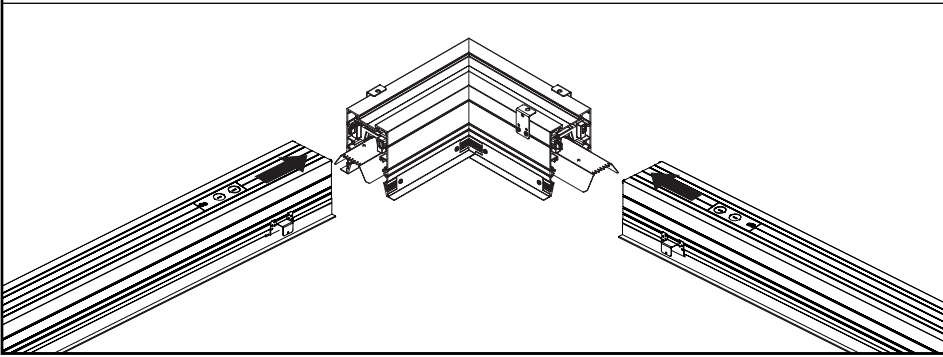
G3: 9/16" SLOT-TEE TEGULAR TILE  
T1: STD 15/16" TEGULAR TILE  
T2: STD 9/16" TEGULAR TILE  
T6: 9/16" NODE TEGULAR TILE



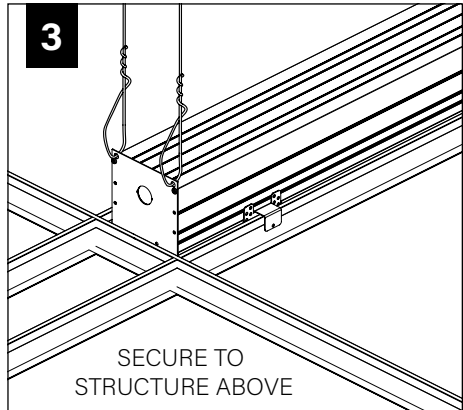
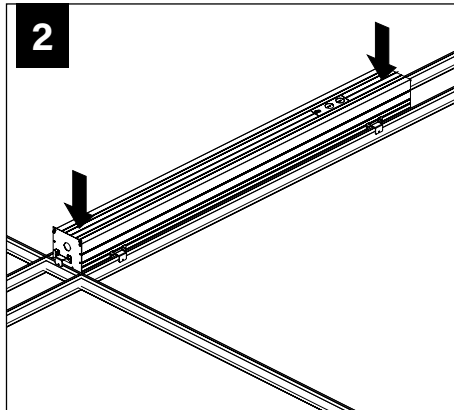
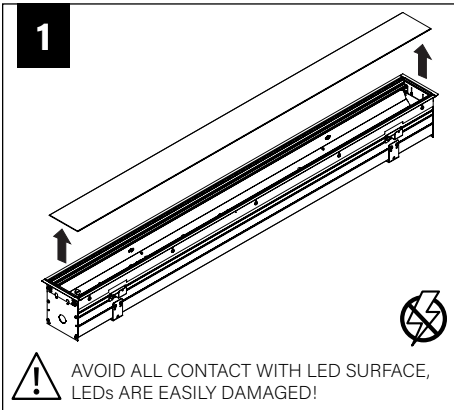
T4: TALL 15/16" TEGULAR TILE  
T5: TALL 9/16" TEGULAR TILE

 **STD = 1-1/2" TEE HEIGHT, TALL = 1-11/16" TEE HEIGHT**

# CORNER ASSEMBLY

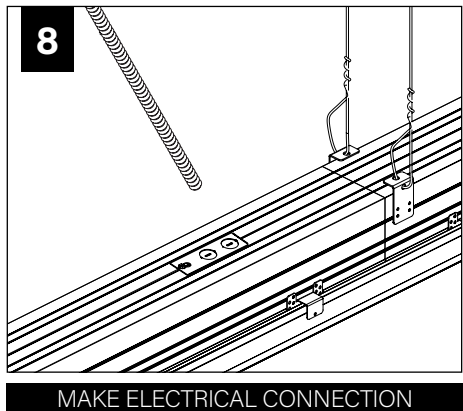
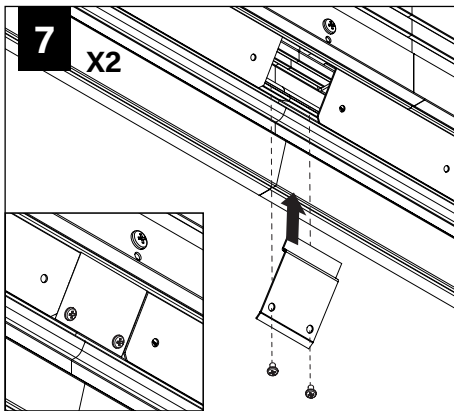
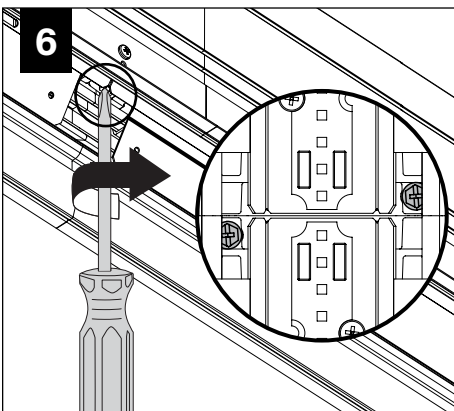
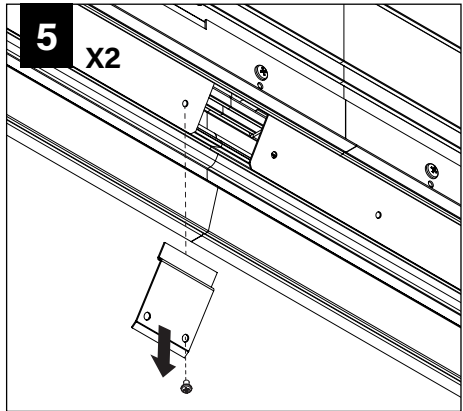
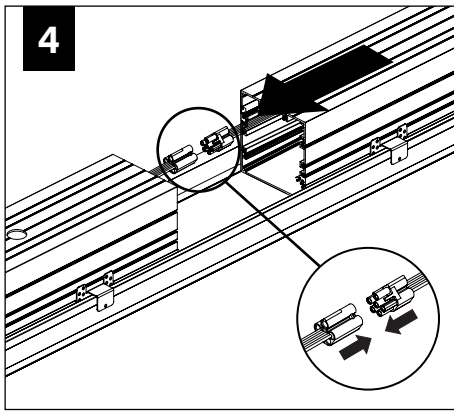


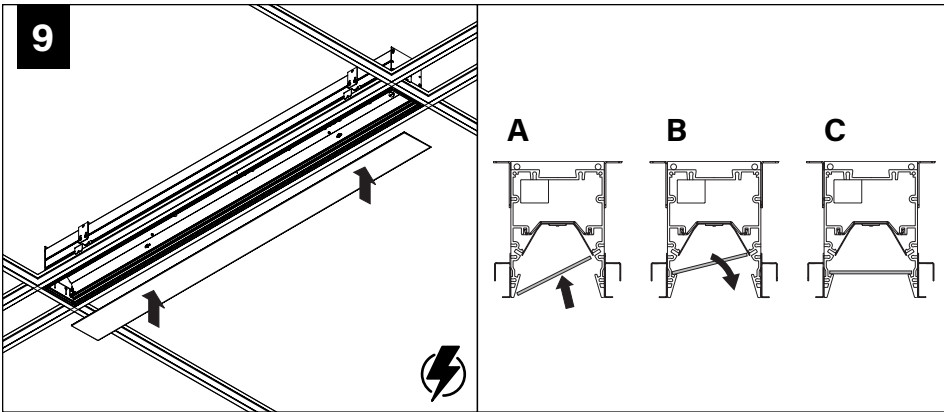
JOINING INSTALLATIONS  
**SKIP TO STEP 4**



INDIVIDUAL INSTALLATIONS  
**SKIP TO STEP 8**

NOTE: INDIVIDUAL UNITS  
 CANNOT BE JOINED IN THE FIELD.





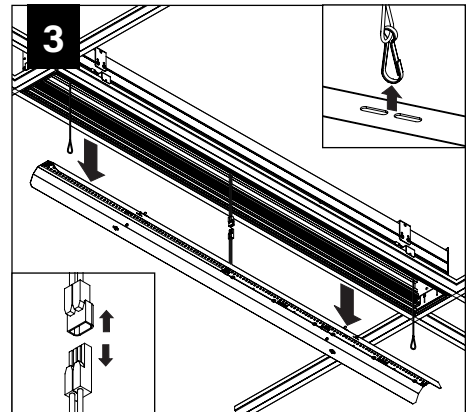
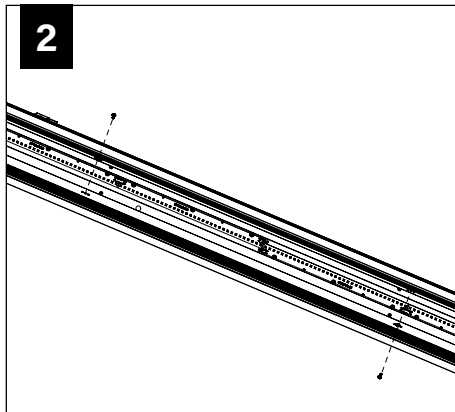
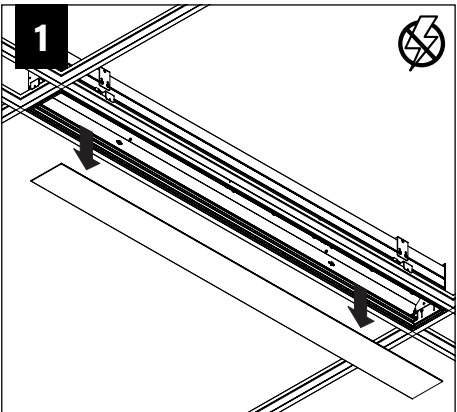
**EMERGENCY**

**I**

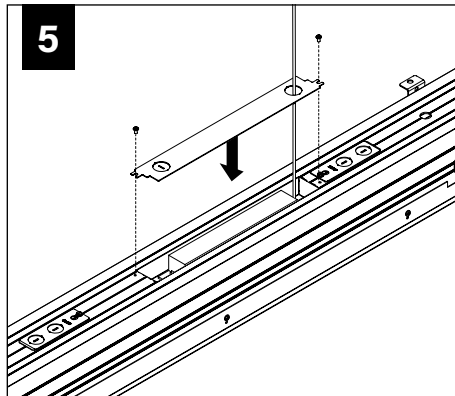
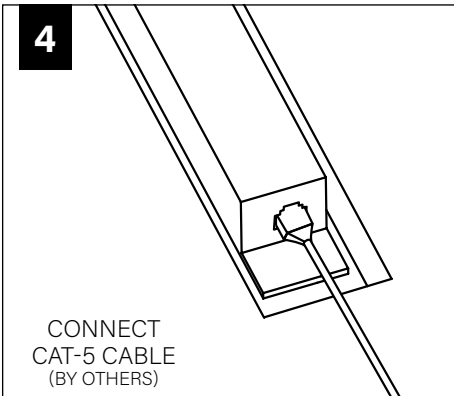
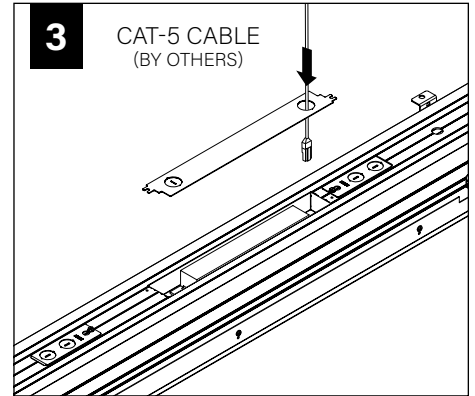
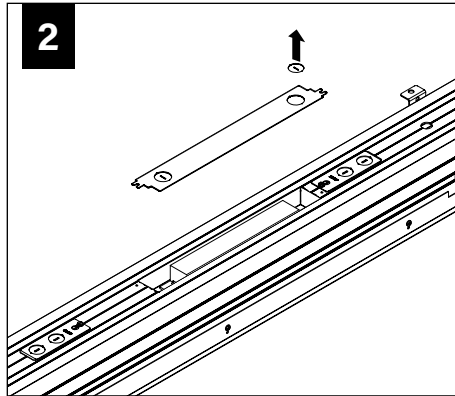
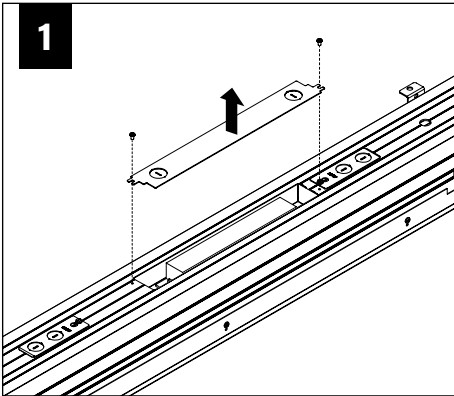
SEE BATTERY MANUFACTURER  
INSTRUCTIONS

**EMERGENCY MAXIMUM MOUNTING HEIGHT:  
19.00'**

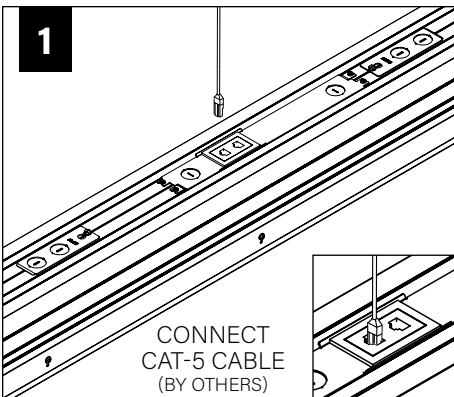
**DRIVER SERVICE**



**ACUITY nLIGHT**



**WATTSTOPPERS**



**HUBBELL NX**

