

# Seem<sup>®</sup> 4 LED Asymmetric trim flange

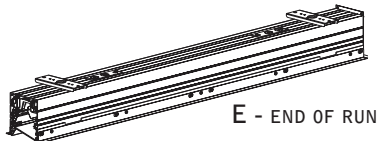
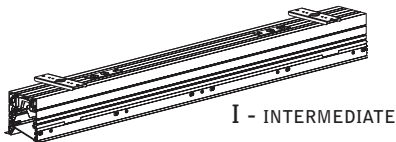
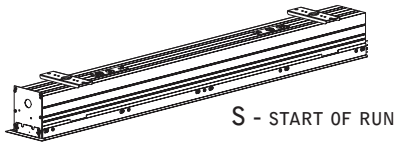
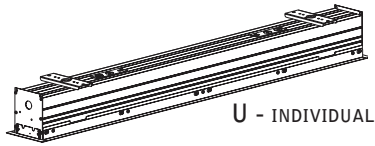
FSM4AL-TF



FOCAL POINT<sup>™</sup>

**NEW CONSTRUCTION ONLY**  
 CONFIGURATIONS ARE RUN SPECIFIC, PLEASE CONSULT FACTORY DRAWINGS BEFORE BEGINNING INSTALLATION.

**FOCAL POINT**



**PARTS LISTS**

**PARTS SHIPPED INSTALLED**

JOINER BRACKET (A21639-01)  
 JOINER FILLER (A15524-01)  
 LOWER JOINER BRACKET (11920)  
 MOUNTING BRACKET ASSEMBLY (17999)  
 (71904)  
 (71025)  
 (A20278-01)  
 (71024)

**SHIELDING SHIPPED LOOSE**

FROSTED LENS

**KEY**

- POWER OFF
- POWER ON
- ATTENTION

**MOUNTING BRACKET MUST BE INSTALLED PRIOR TO DRYWALL**

5.63" / 143.0mm  
 5.00" / 127.0mm  
 5.30" / 134.6mm

**MOUNTING BRACKET MUST BE SECURED TO STRUCTURE ABOVE.**  
 1/4" - 20 CARRIAGE BOLT MAY BE SUPPLIED BY OTHERS FOR GREATER ADJUSTABILITY.

**MOUNTING LOCATIONS**

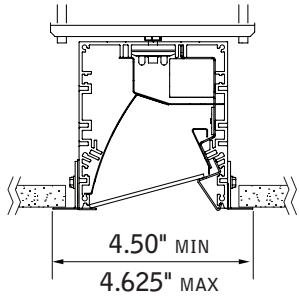
START OF RUN/INDIVIDUAL  
 INTERMEDIATE/END OF RUN

housing length	A	B	C
2'	1"	21"	22"
3'	1"	33"	34"
4'	6"	36"	37"
5'	6"	48"	49"
6'	6"	60"	61"
7'	6"	72"	73"
8'	6"	84"	85"

**MOUNTING LOCATION CHART IS AN APPROXIMATE GUIDE ONLY.**

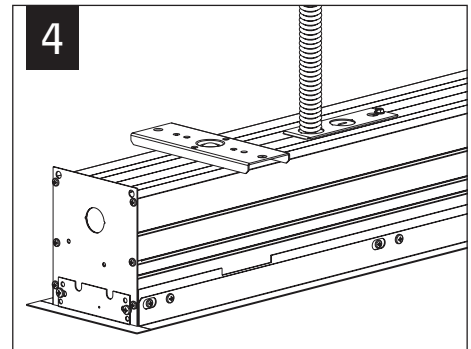
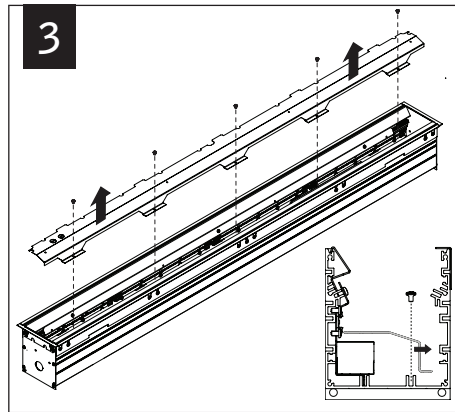
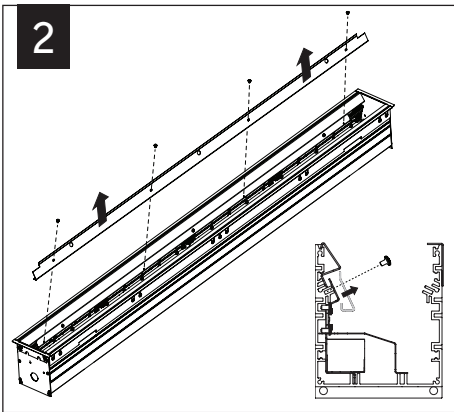
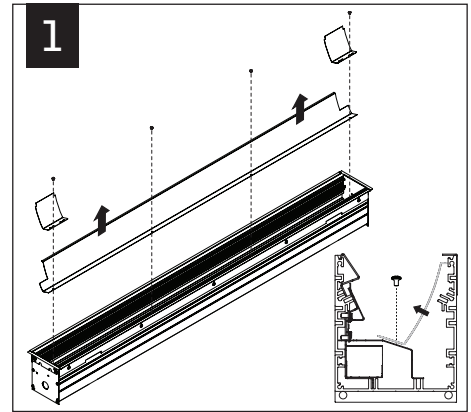
Luminaires must be installed by a qualified electrician (check with local and national codes for proper installation).  
 To prevent electrical shock, disconnect electrical supply before installation or servicing.

## CEILING CUTOUT

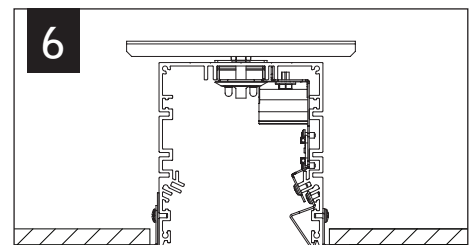
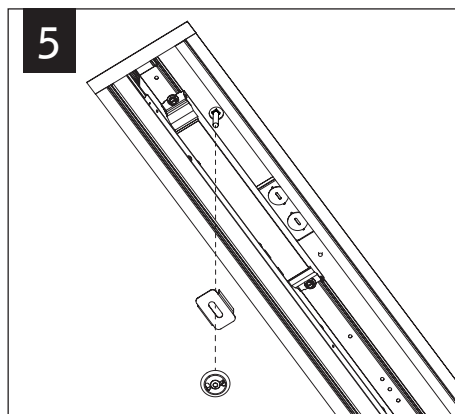
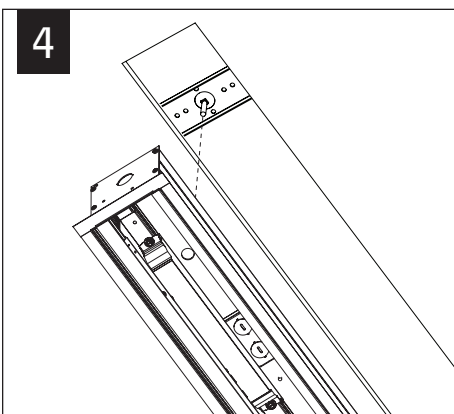



CEILING CUTOUT LENGTH =  
NOMINAL RUN LENGTH MINUS 5/16" (+/- 1/16")

EXAMPLE:  
12' RUN LENGTH = 11' 11-3/4" CUTOUT LENGTH



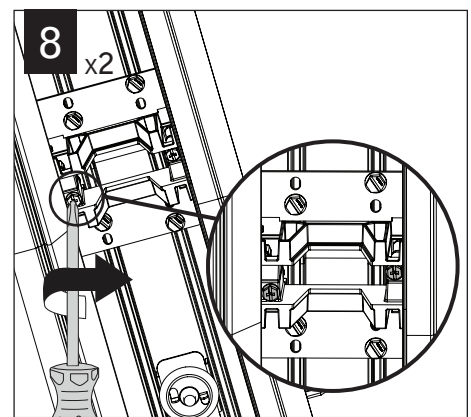
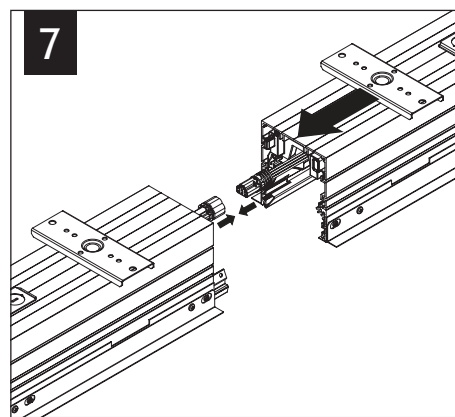
**MAKE ELECTRICAL CONNECTIONS**



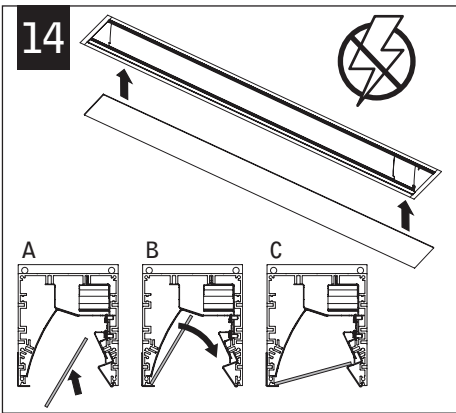
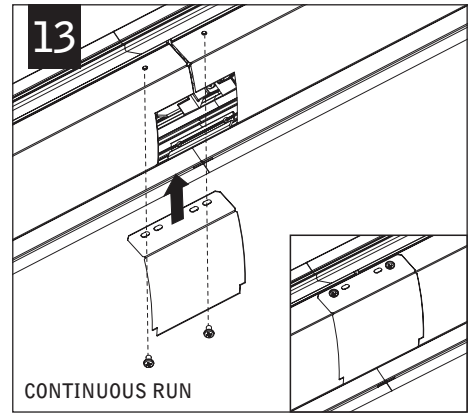
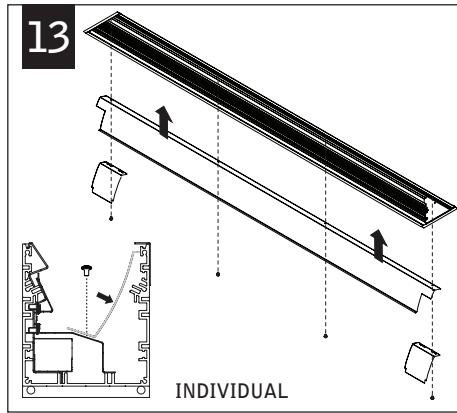
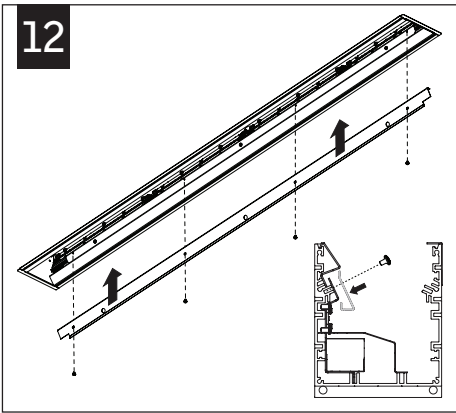
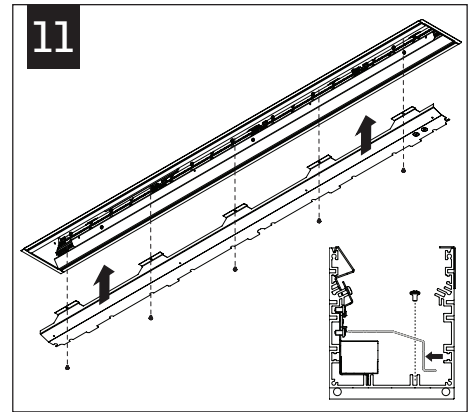
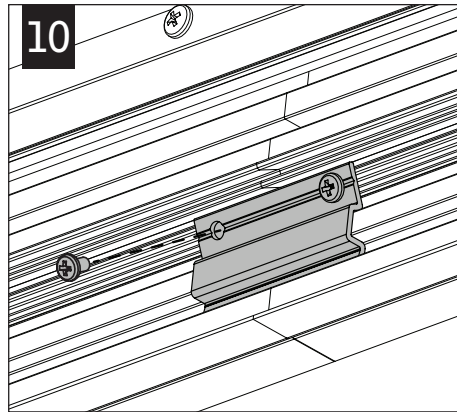
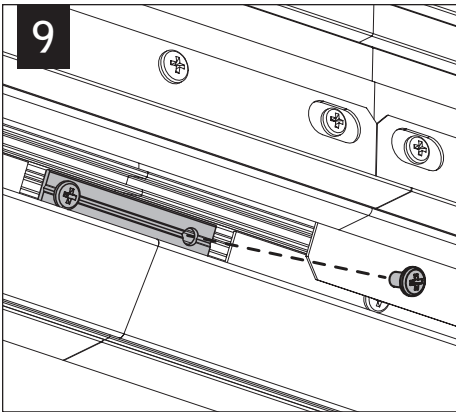
**TIGHTEN LUMINAIRE  
SNUG TO THE CEILING** 

**REPEAT STEPS 4-6  
UNTIL ALL UNITS ARE  
IN THE CEILING**

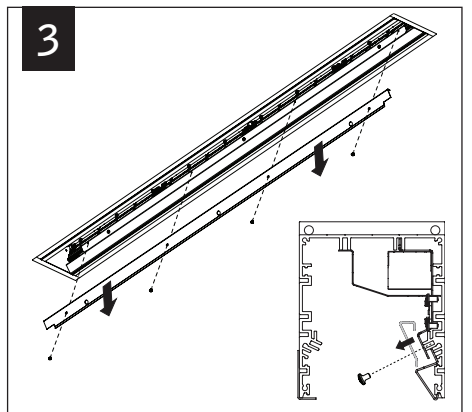
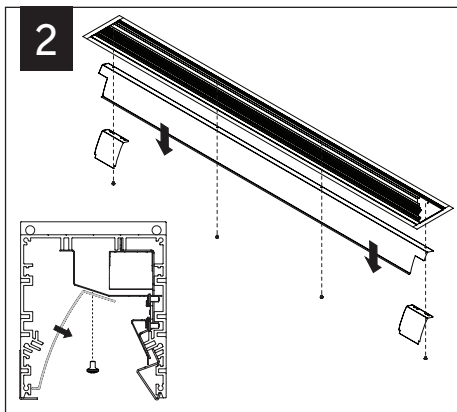
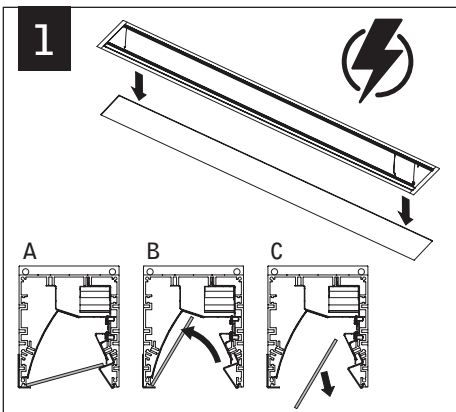
INDIVIDUAL INSTALLATIONS  
SKIP TO STEP 11



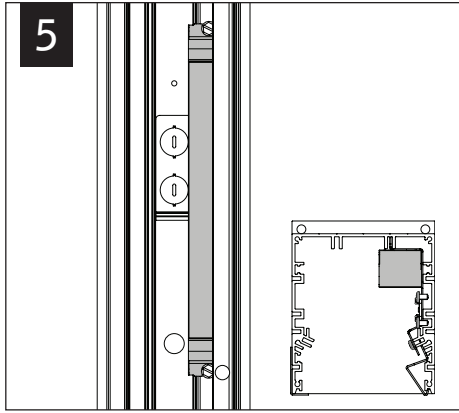
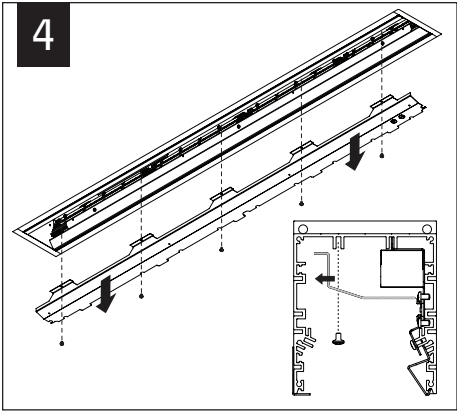
Luminaires must be installed by a qualified electrician (check with local and national codes for proper installation).  
To prevent electrical shock, disconnect electrical supply before installation or servicing.



**DRIVER SERVICE**



Luminaires must be installed by a qualified electrician (check with local and national codes for proper installation).  
To prevent electrical shock, disconnect electrical supply before installation or servicing.



Contractor is responsible for adequately reinforcing walls and/or ceilings to support luminaire weight. Focal Point, LLC accepts no responsibility for inadequately reinforced walls and/or ceilings. The information contained in this drawing is the sole property of Focal Point, LLC. Any reproduction in part or whole without the written permission of Focal Point, LLC is prohibited.