

Seem® 2 LED Perimeter

FSM2PR-XFF | MUD-IN DRYWALL



FOCAL POINT®

BEFORE YOU BEGIN

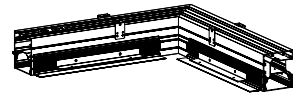
- Luminaires must be installed by a qualified electrician (check with local and national codes for proper installation).
- To prevent electrical shock, disconnect electrical supply before installation or servicing.
- Contractor is responsible for adequately reinforcing walls and/or ceilings to support fixture weight.
- Focal Point, LLC accepts no responsibility for inadequately reinforced walls and/or ceilings.
- The information contained in this drawing is the sole property of Focal Point, LLC. Any reproduction in part or whole without the written permission of Focal Point, LLC is prohibited.

INSTRUCTION KEY

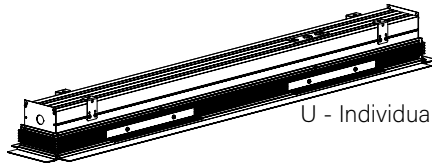
- ATTENTION**
- SEE ADDITIONAL INSTRUCTIONS**
- POWER OFF**
- POWER ON**

COMPONENT KEY

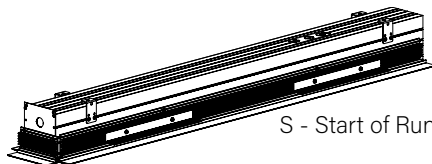
FOCAL POINT



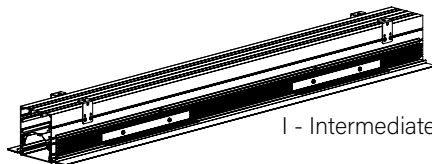
C - Corner



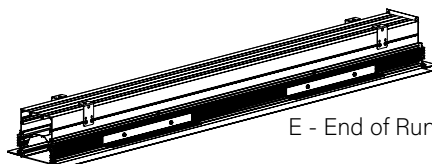
U - Individual



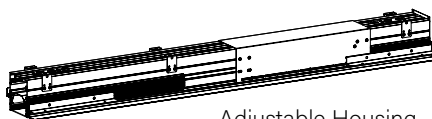
S - Start of Run



I - Intermediate



E - End of Run



Adjustable Housing

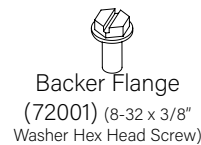
INCLUDED HARDWARE



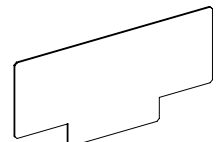
Reflector (72010)
(8-18 x 1/4 Self Tapping Screw)



Mud Flange (70005)
(8-32 x 5/16" Flat Undercut Head Screw)

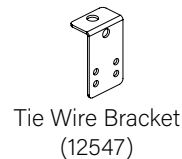


Backer Flange (72001)
(8-32 x 3/8" Washer Hex Head Screw)



Lens Tool (A09052-01)
(Affixed to housing. One per run)

SHIPPED INSTALLED



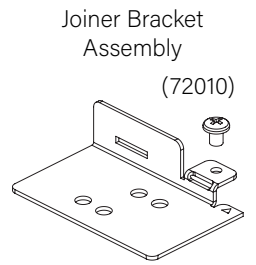
Tie Wire Bracket (12547)



Tie-Wire Bracket Screw (72010)
(8-18 x 1/4 Self Tapping Screw)



Lens End Piece (A08608)



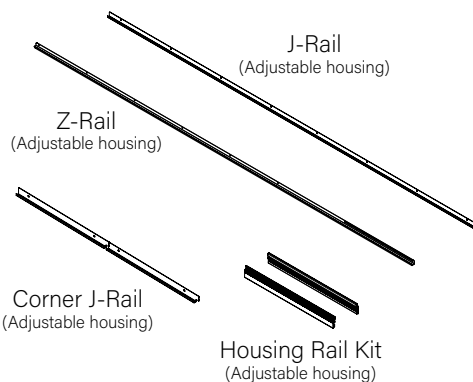
Joiner Bracket Assembly (72010)



Joiner Pin (70058)

(A11623-01)

ADDITIONAL PARTS



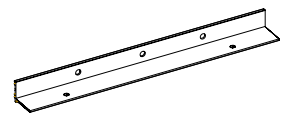
Z-Rail (Adjustable housing)

J-Rail (Adjustable housing)

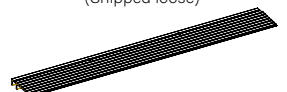
Corner J-Rail (Adjustable housing)

Housing Rail Kit (Adjustable housing)

Backer Flange (May be pre-installed or shipped loose)



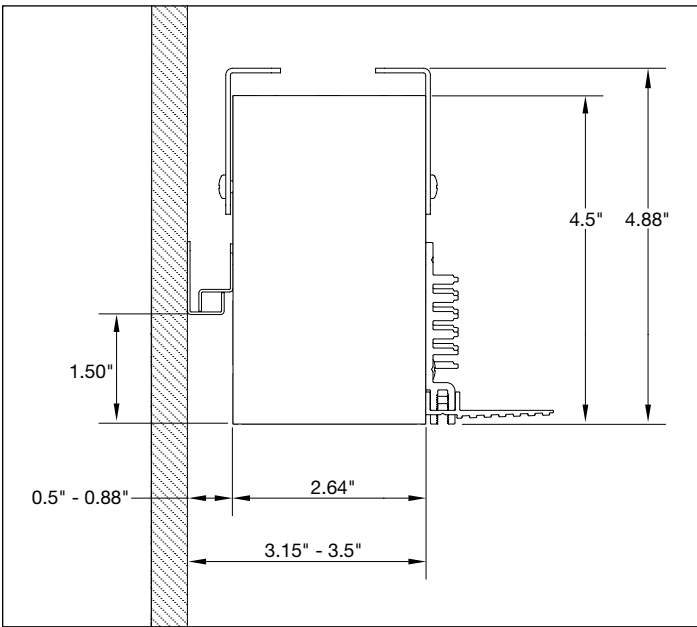
Mud Flange (Shipped loose)



BACKER FLANGE PLACEMENT GUIDE

| DRYWALL THICKNESS | ORIENTATION | GUIDE POINT | POSITION |
|-------------------|-------------|-------------|----------|
| 3/8" | 1 | X | F |
| 1/2" | 1 | X | E |
| 5/8" | 1 | X | D |
| 3/4" | 1 | X | C |
| 7/8" | 1 | X | B |
| 1" | 1 | X | A |
| 1 1/8" | 1 | Y | G |
| 1 1/4" | 2 | Y | F |
| 1 3/8" | 2 | Y | E |
| 1 1/2" | 2 | Y | D |
| 1 5/8" | 2 | Y | C |
| 1 3/4" | 2 | Y | B |
| 1 7/8" | 2 | Y | A |
| 2" | 2 | X | E |
| 2 1/8" | 2 | X | D |

WALL/CEILING PREPARATION

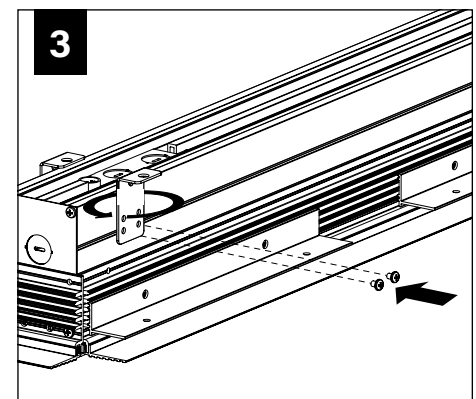
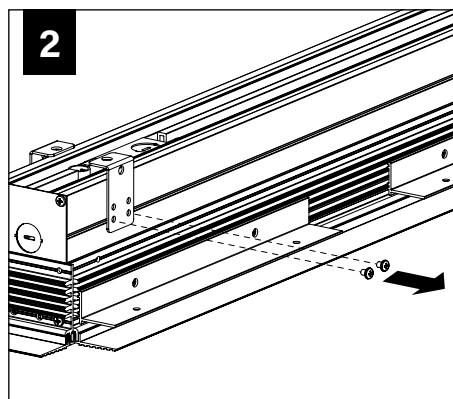
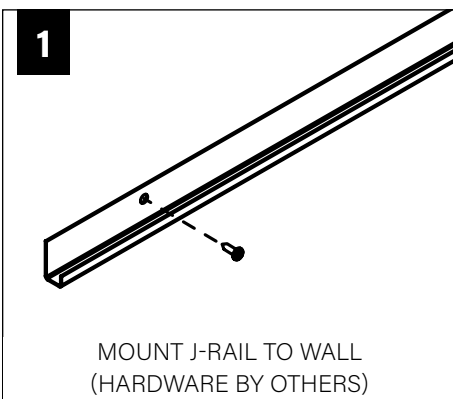


I

FOCAL POINT RECOMMENDS
STARTING WITH CORNER
INSTALLATION IF APPLICABLE

BASIC INSTALLATION, STEPS 1-20
ADJUSTABLE HOUSING, PAGE 4
CORNERS, PAGE 6

BASIC INSTALLATION

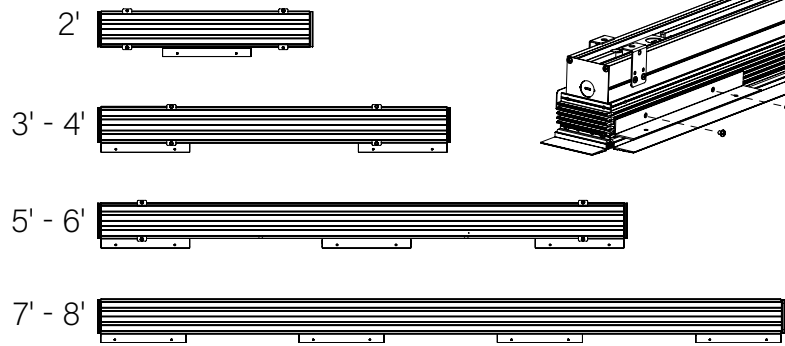


4

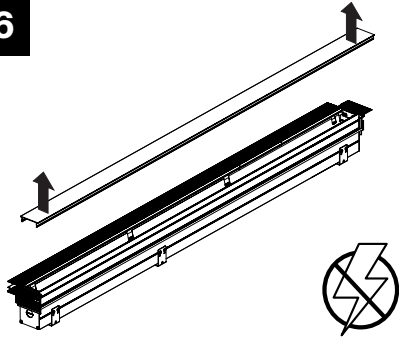
USING THE BACKER FLANGE
PLACEMENT GUIDE FROM PAGE 2
DETERMINE THE PROPER PLACE-
MENT OF THE BACKER FLANGE FOR
YOUR DRYWALL THICKNESS.

**IF BACKER FLANGES WERE
PRE-INSTALLED SKIP TO STEP 6**

5

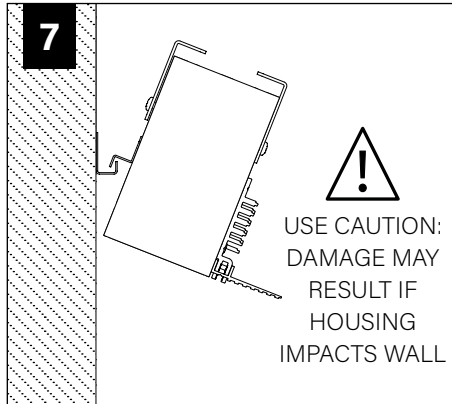


6

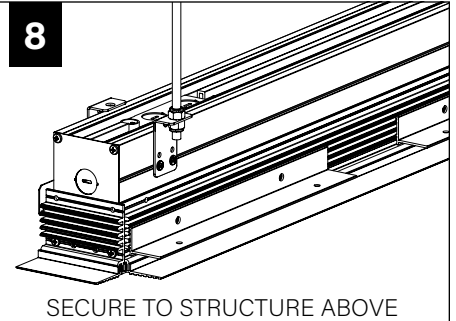


! AVOID ALL CONTACT WITH LED SURFACE,
LEDs ARE EASILY DAMAGED!

7

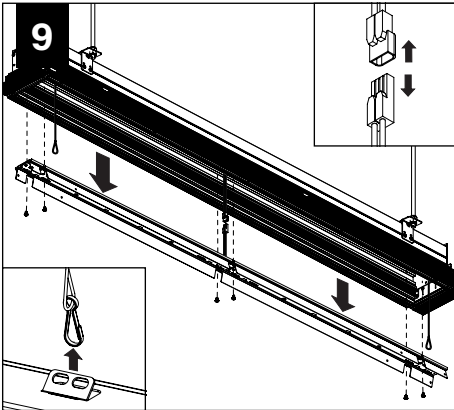


8

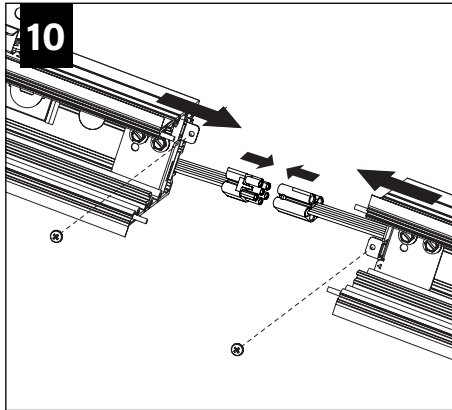


**INDIVIDUAL INSTALLATIONS
SKIP TO STEP 15**

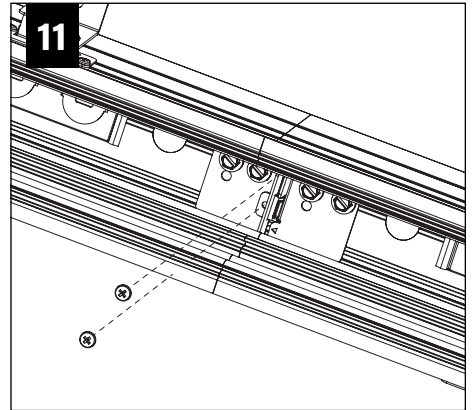
9



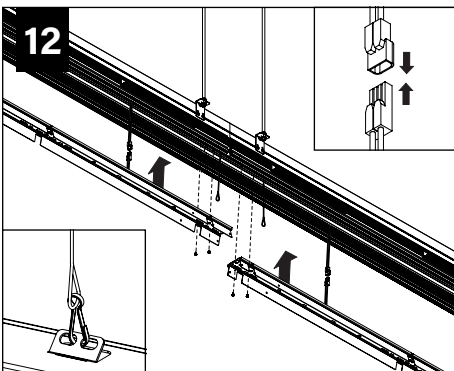
10



11

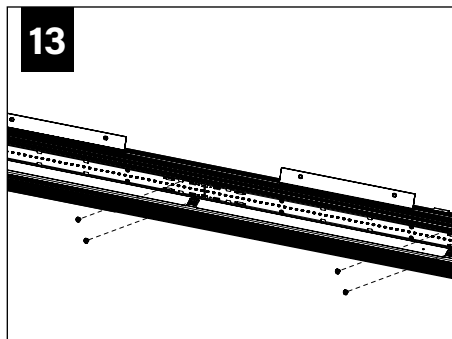


12



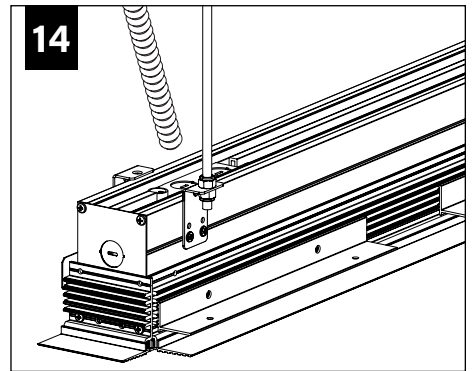
MAKE ELECTRICAL CONNECTIONS

13



SECURE REFLECTORS TO HOUSING
(6 SCREWS PER REFLECTOR)


14



MAKE ELECTRICAL CONNECTIONS

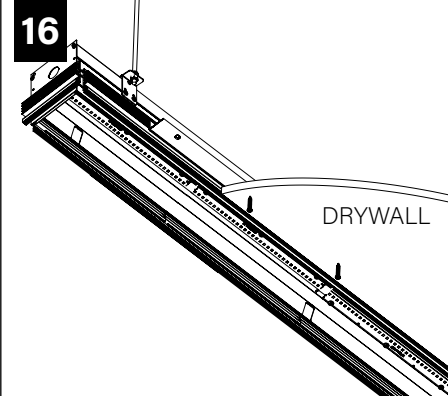
REPEAT STEPS 2 - 13 FOR EACH HOUSING SECTION

15



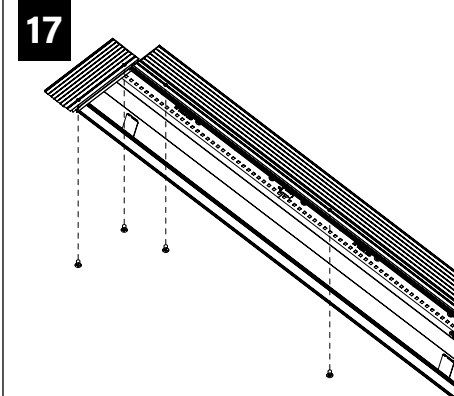
BEFORE BEGINNING DRYWALL INSTALLATION CONSULT GUIDE ON PAGE 1 TO ENSURE THE BACKER FLANGE IS SET AT THE CORRECT DEPTH FOR THE DRYWALL.

16

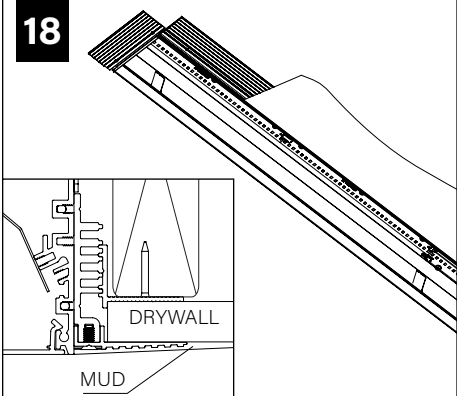


DRYWALL

17



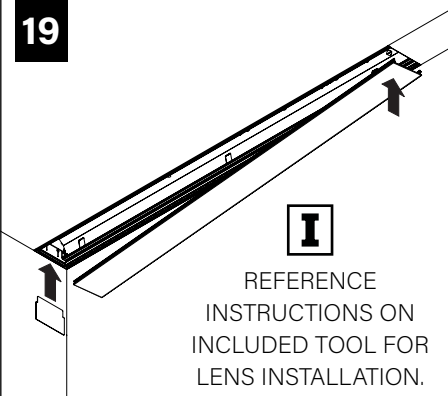
18



DRYWALL

MUD

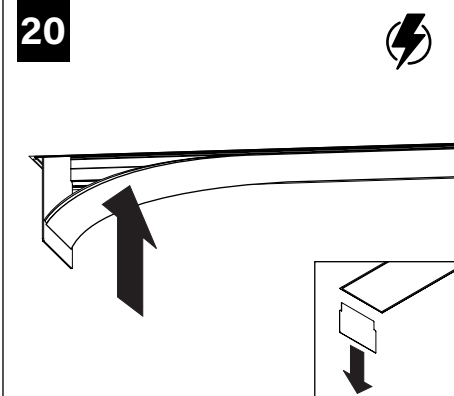
19



I

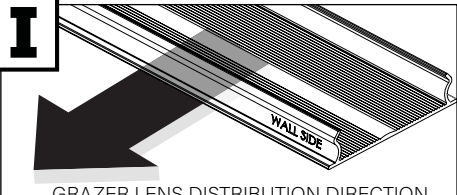
REFERENCE INSTRUCTIONS ON INCLUDED TOOL FOR LENS INSTALLATION.

20

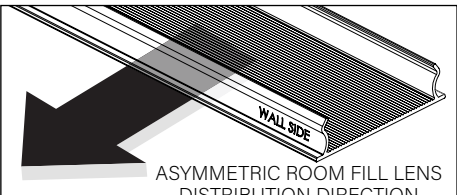


I

I



GRAZER LENS DISTRIBUTION DIRECTION



ASYMMETRIC ROOM FILL LENS DISTRIBUTION DIRECTION

EMERGENCY

I

SEE BATTERY MANUFACTURER INSTRUCTIONS

EMERGENCY MAXIMUM MOUNTING HEIGHT FROM FLOOR TO SURFACE OF LENS:

19.00'

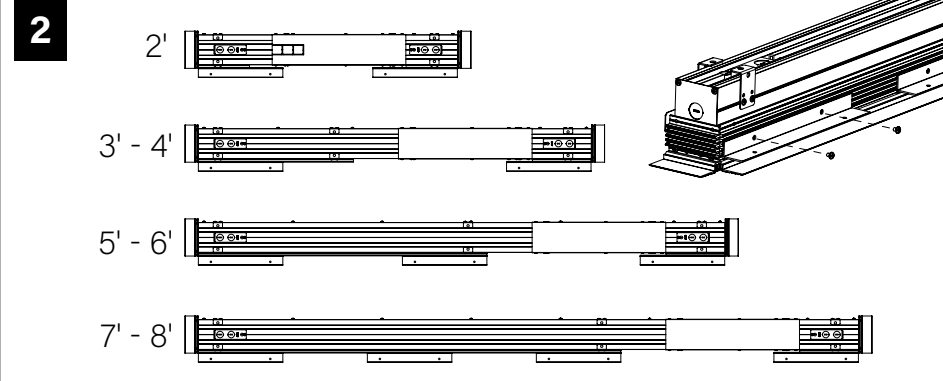
ADJUSTABLE HOUSING

1

USING THE BACKER FLANGE PLACEMENT GUIDE FROM PAGE 2 DETERMINE THE PROPER PLACEMENT OF THE BACKER FLANGE FOR YOUR DRYWALL THICKNESS.

IF BACKER FLANGES WERE PRE-INSTALLED SKIP TO STEP 3

2



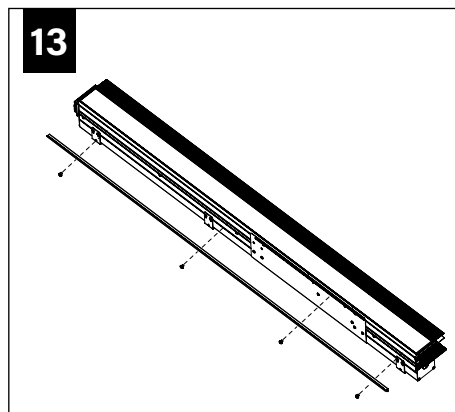
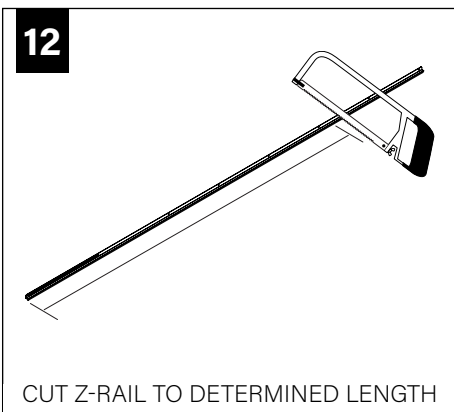
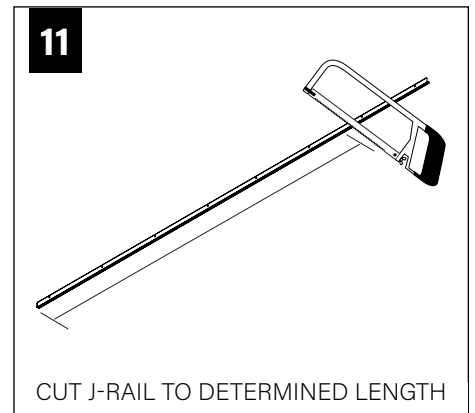
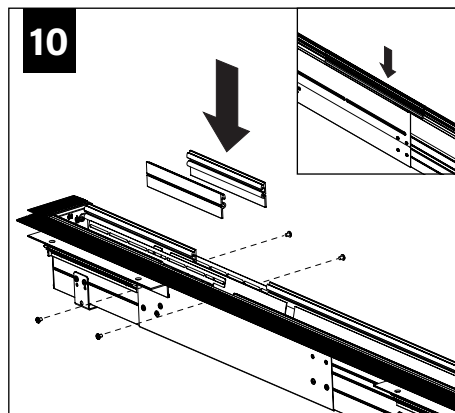
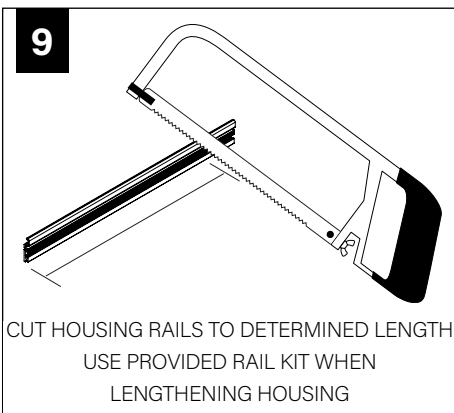
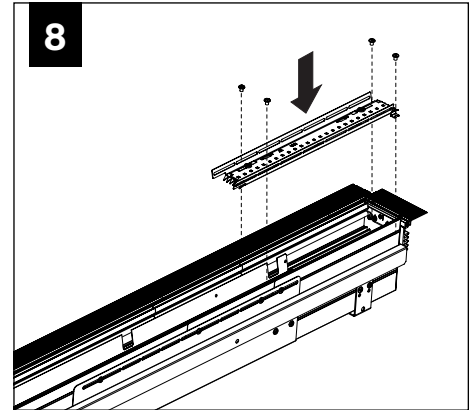
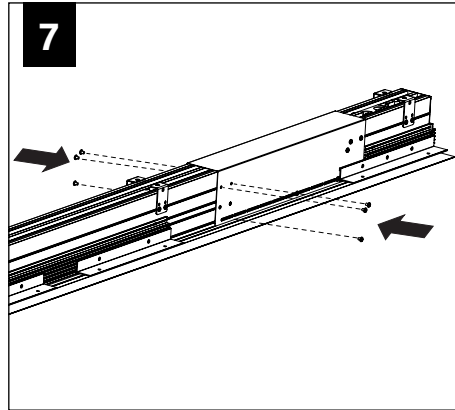
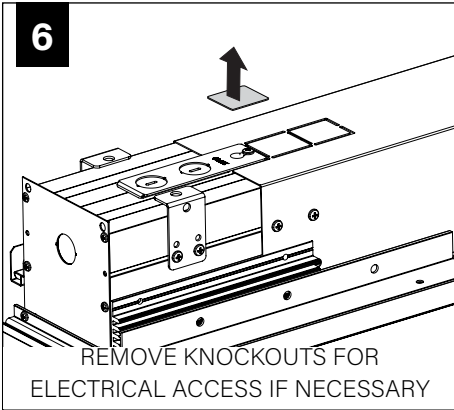
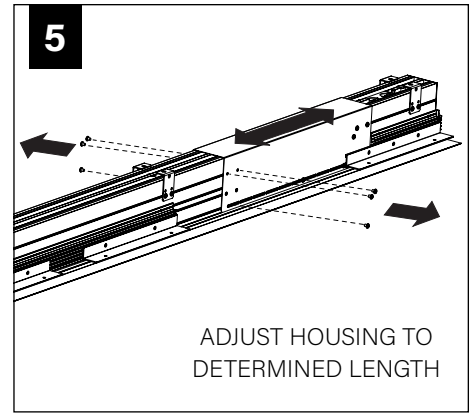
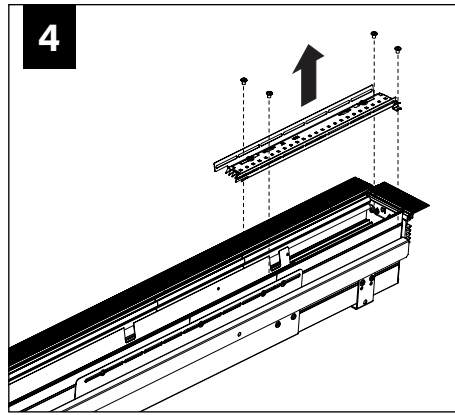
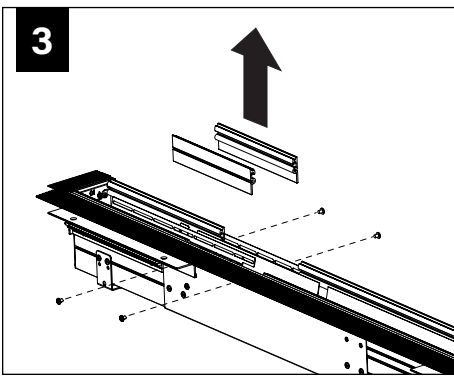
2'

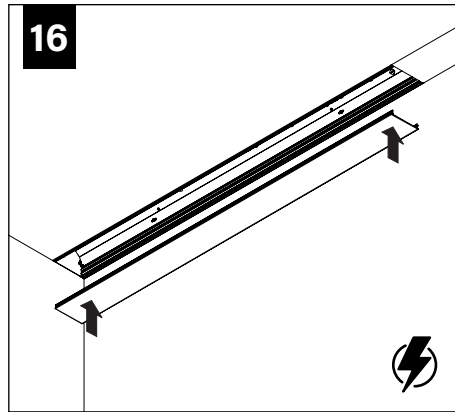
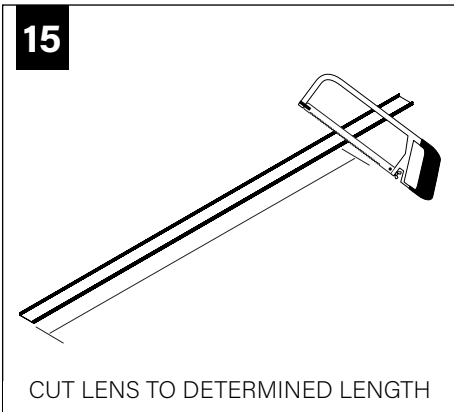
3' - 4'

5' - 6'

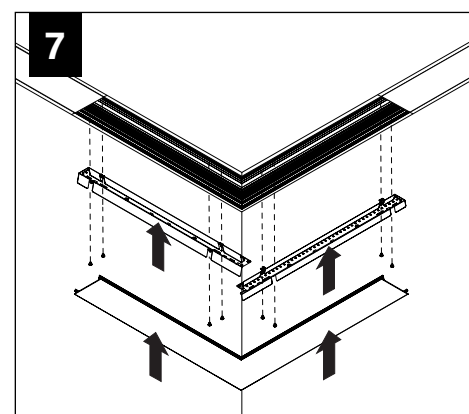
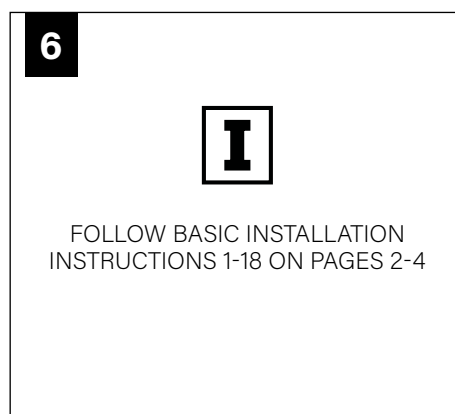
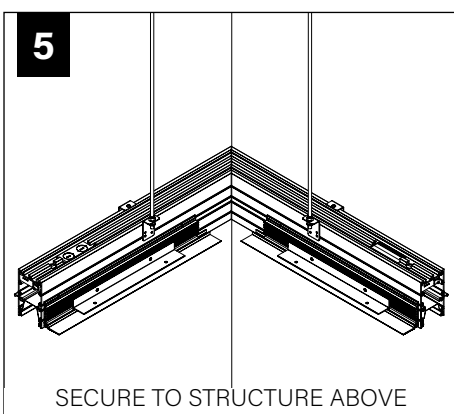
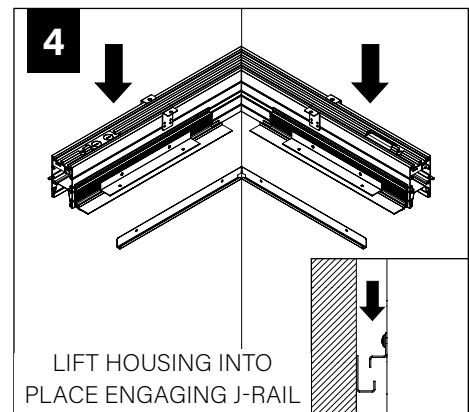
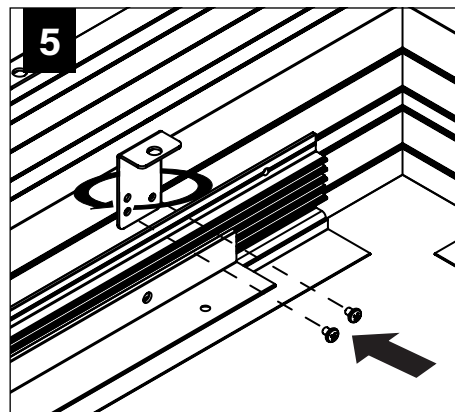
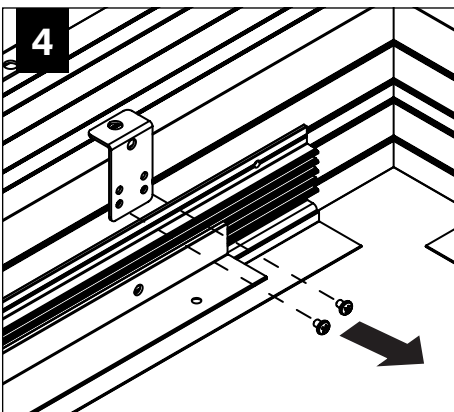
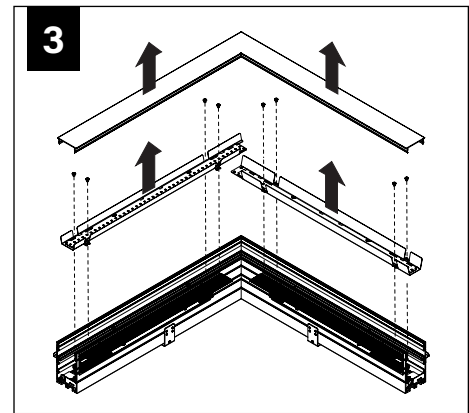
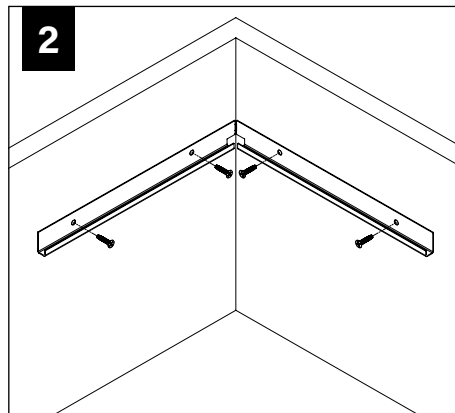
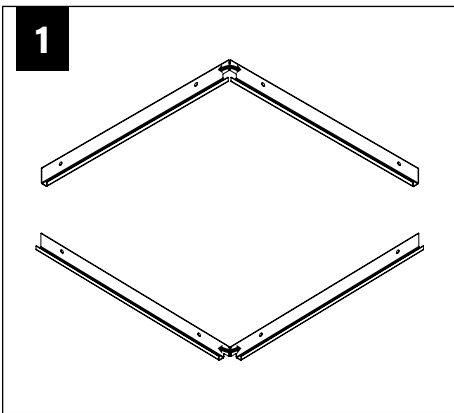
7' - 8'

IF HOUSING LENGTH IS CORRECT SKIP TO STEP 11





CORNERS



DRIVER SERVICE

