

Seem® 2 LED Perimeter

FSM2 PR-TF | TRIM FLANGE



FOCAL POINT®

BEFORE YOU BEGIN

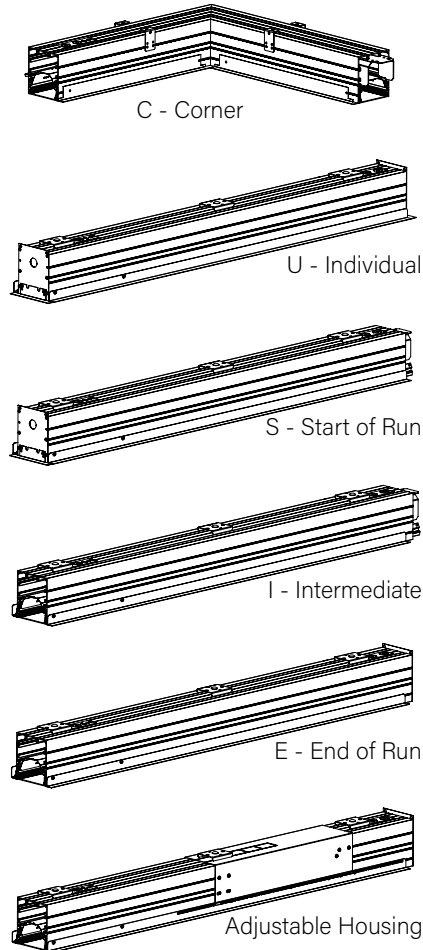
- Luminaires must be installed by a qualified electrician (check with local and national codes for proper installation).
- To prevent electrical shock, disconnect electrical supply before installation or servicing.
- Contractor is responsible for adequately reinforcing walls and/or ceilings to support fixture weight.
- Focal Point, LLC accepts no responsibility for inadequately reinforced walls and/or ceilings.
- The information contained in this drawing is the sole property of Focal Point, LLC. Any reproduction in part or whole without the written permission of Focal Point, LLC is prohibited.

INSTRUCTION KEY

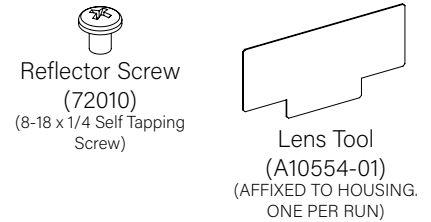
- ATTENTION**
- SEE ADDITIONAL INSTRUCTIONS**
- POWER OFF**
- POWER ON**

COMPONENT KEY

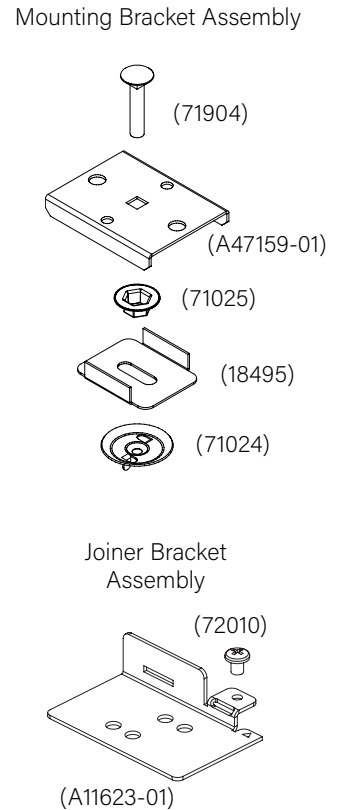
FOCAL POINT



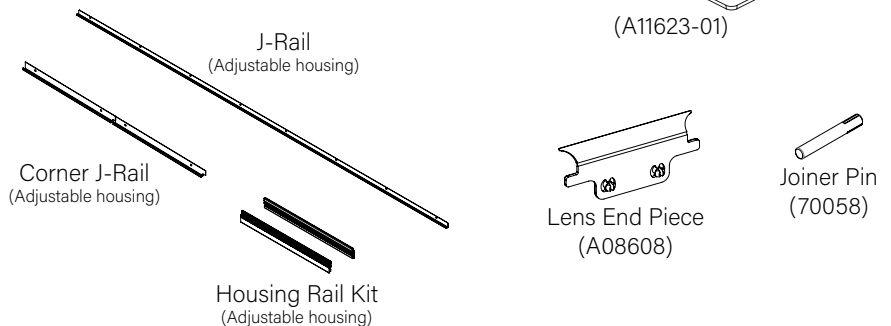
INCLUDED HARDWARE



SHIPPED INSTALLED



ADDITIONAL PARTS



MOUNTING LOCATIONS

STANDARD HOUSINGS



START OF RUN/INDIVIDUAL



INTERMEDIATE/END OF RUN

HOUSING LENGTH	A	B	C
2'	2.5"	18"	19"
3'	2.5"	30"	31"
4'	2.5"	42"	43"
5'	2.5"	54"	55"
6'	2.5"	66"	67"
7'	2.5"	78"	79"
8'	2.5"	90"	91"

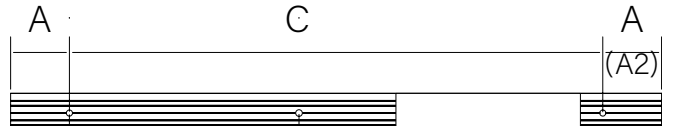


MOUNTING LOCATION CHART IS AN APPROXIMATE GUIDE ONLY.

ADJUSTABLE HOUSINGS



START OF RUN/INDIVIDUAL



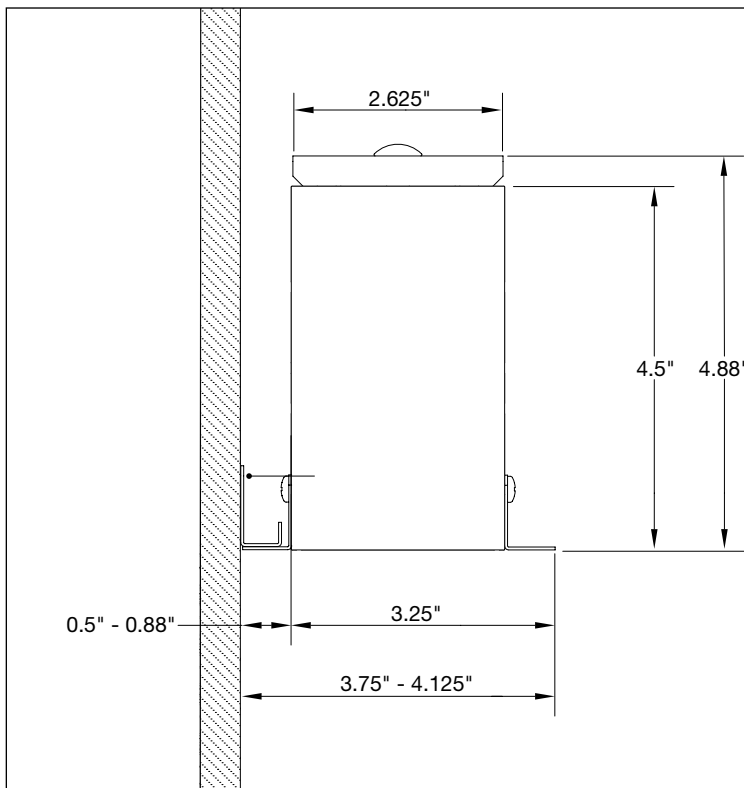
INTERMEDIATE/END OF RUN

HOUSING LENGTH	A	B	C	D
3'	2.5"	30"	31"	-
4'	2.5"	42"	43"	-
5'	2.5"	54"	55"	23.5"
6'	2.5"	66"	67"	35.5"
7'	2.5"	78"	79"	47.5"



MOUNTING LOCATION CHART IS AN APPROXIMATE GUIDE ONLY.

WALL/CEILING PREPARATION



MOUNTING BRACKET MUST BE INSTALLED PRIOR TO DRYWALL

MOUNTING BRACKET MUST BE SECURED TO STRUCTURE ABOVE.

1/4" - 20 CARRIAGE BOLT MAY BE SUPPLIED BY OTHERS FOR GREATER ADJUSTABILITY.

CEILING CUTOUT LENGTH = NOMINAL RUN LENGTH MINUS 5/16" (+/- 1/16")

EXAMPLE:

12' RUN LENGTH = 11' 11-3/4" CUTOUT LENGTH

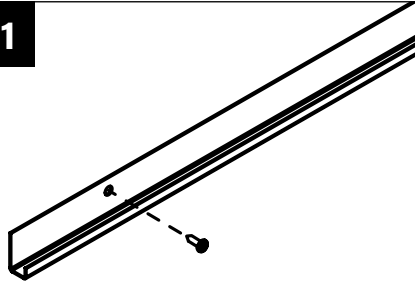
BASIC INSTALLATION

I

FOCAL POINT RECOMMENDS
STARTING WITH CORNER
INSTALLATION IF APPLICABLE

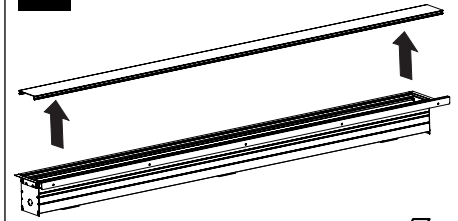
BASIC INSTALLATION, STEPS 1-13
ADJUSTABLE HOUSING, PAGES 4-5
CORNERS, PAGE 5-6

1



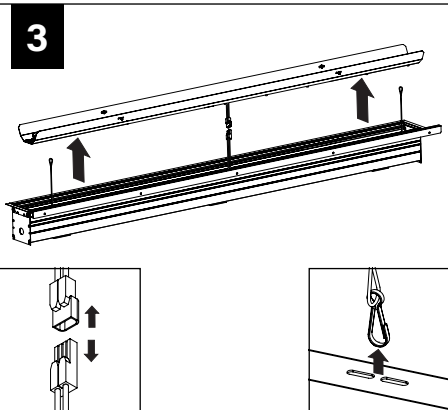
MOUNT J-RAIL TO WALL
(HARDWARE BY OTHERS)

2

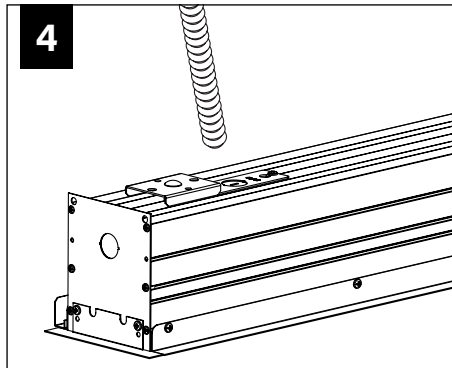


⚠️ AVOID ALL CONTACT WITH LED SURFACE,
LEDs ARE EASILY DAMAGED!

3

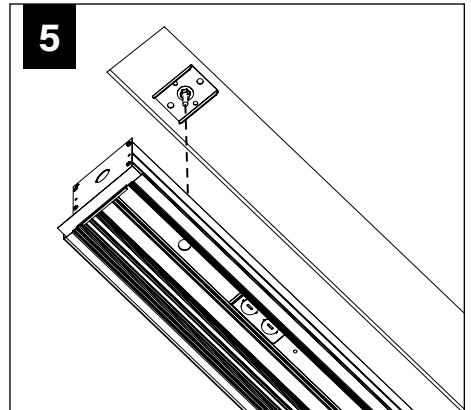


4

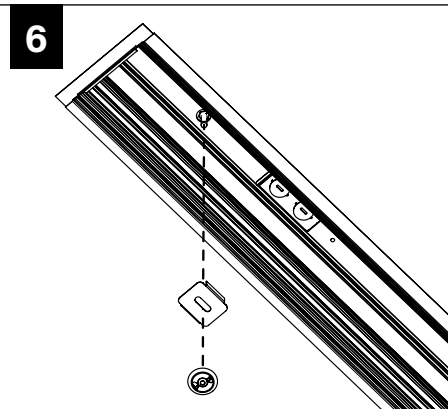


MAKE ELECTRICAL CONNECTIONS

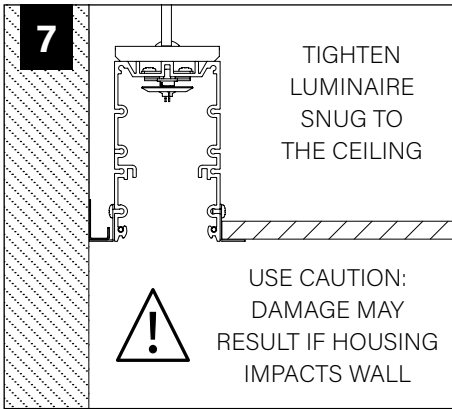
5



6



7

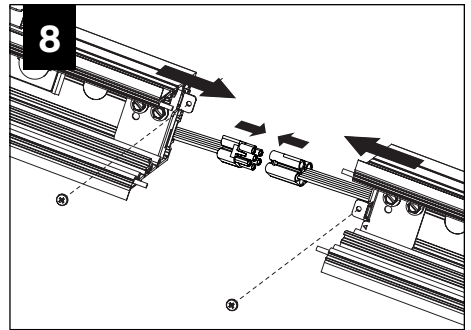


TIGHTEN
LUMINAIRE
SNUG TO
THE CEILING

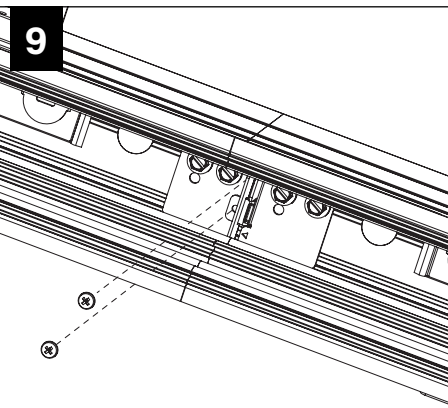
⚠️ USE CAUTION:
DAMAGE MAY
RESULT IF HOUSING
IMPACTS WALL

**INDIVIDUAL INSTALLATIONS
SKIP TO STEP 14**

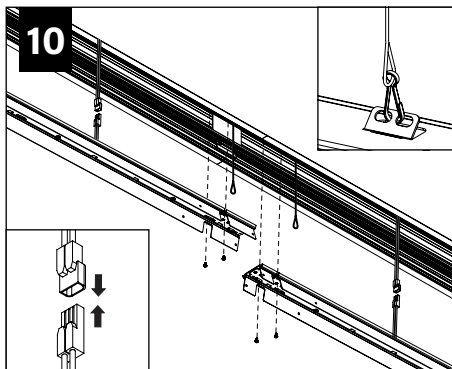
8



9

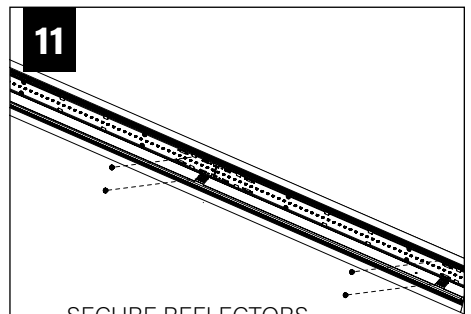


10



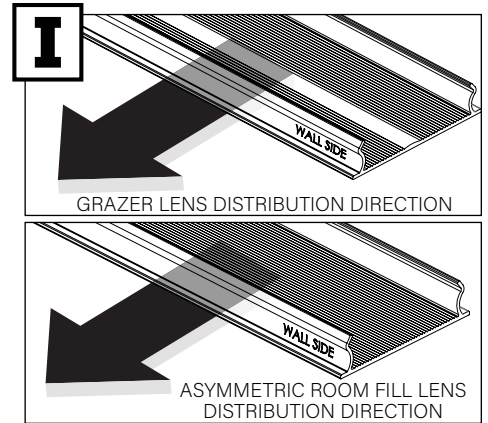
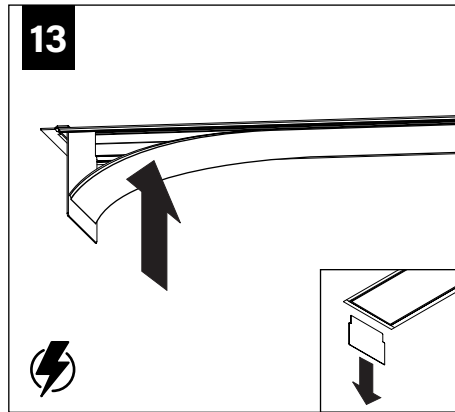
MAKE ELECTRICAL CONNECTIONS

11



SECURE REFLECTORS
TO HOUSING
(6 SCREWS PER REFLECTOR)

REPEAT STEPS 2 - 11 FOR EACH HOUSING SECTION



EMERGENCY

I

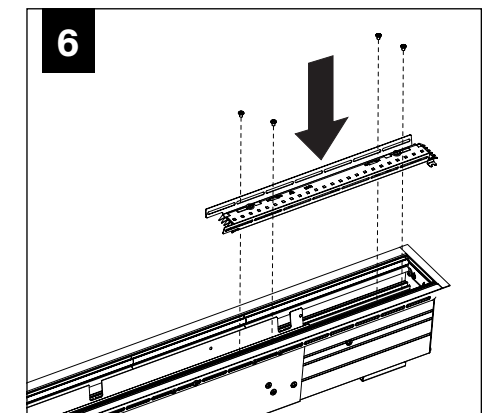
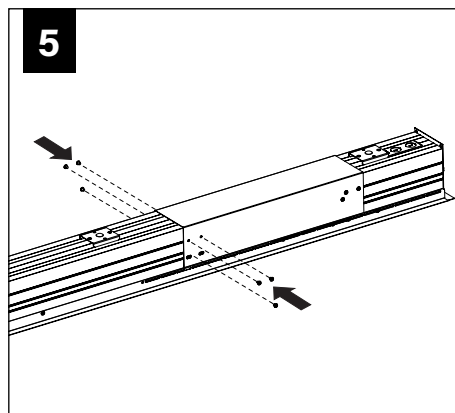
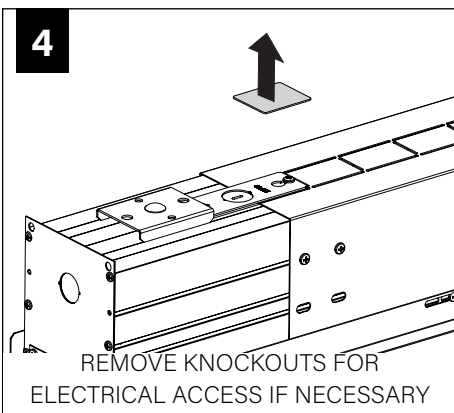
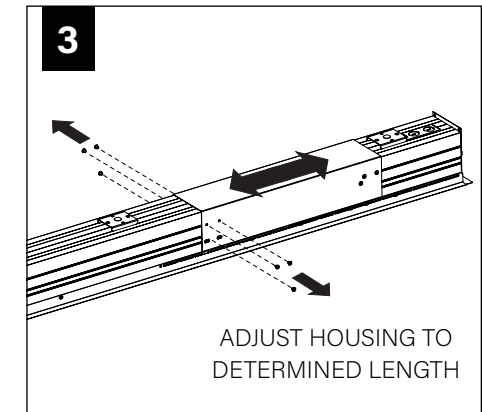
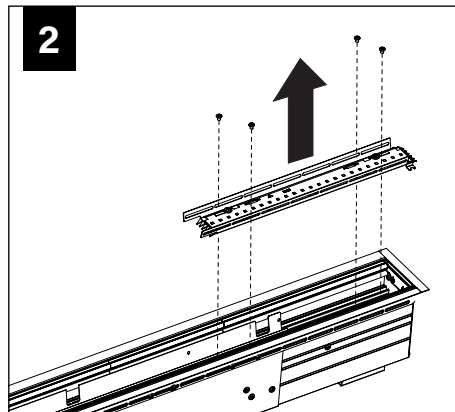
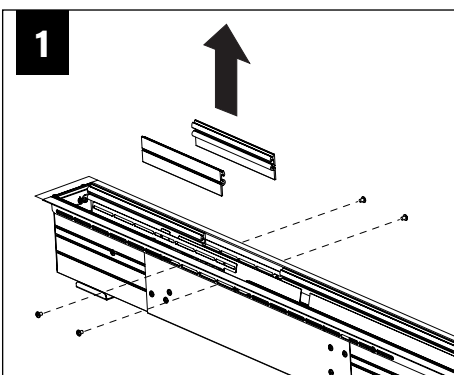
SEE BATTERY MANUFACTURER INSTRUCTIONS

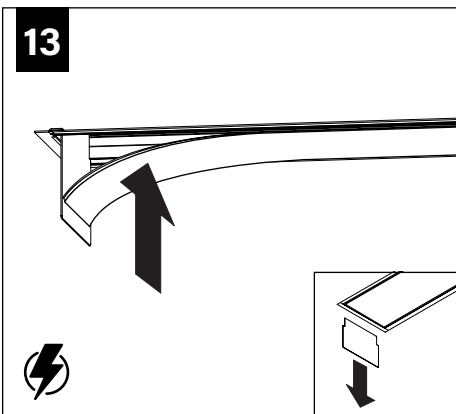
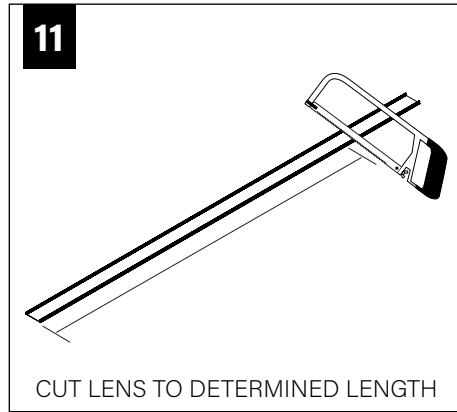
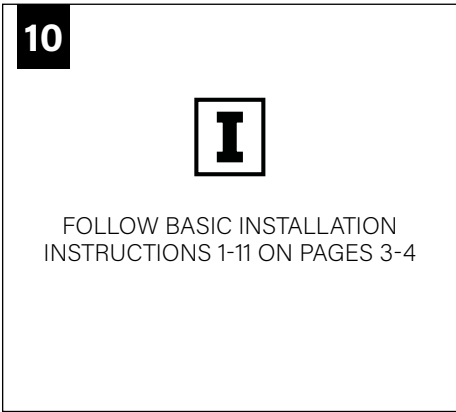
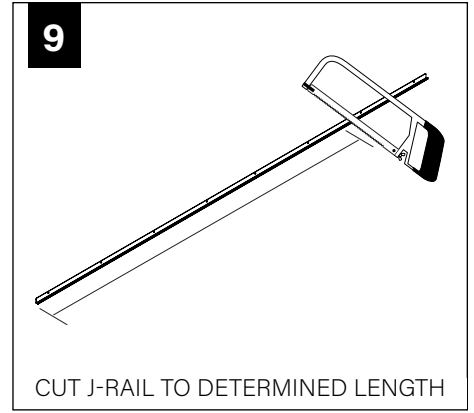
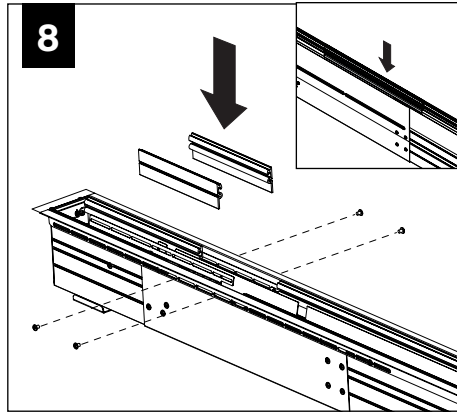
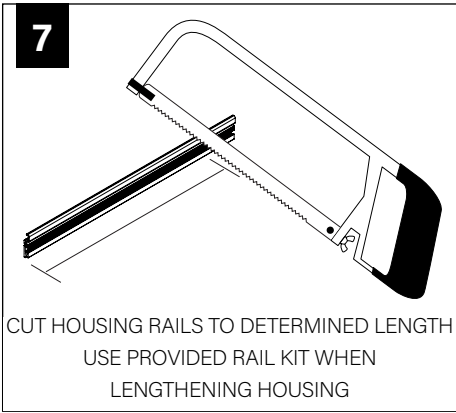
EMERGENCY MAXIMUM MOUNTING HEIGHT FROM FLOOR TO SURFACE OF LENS:

19.00'

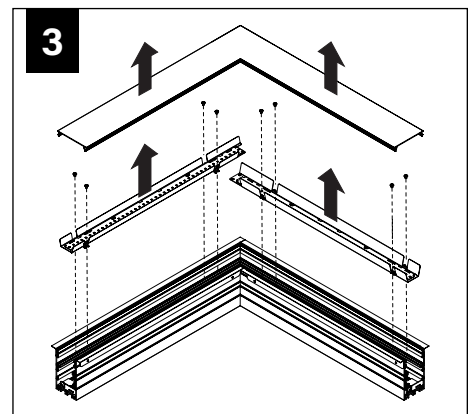
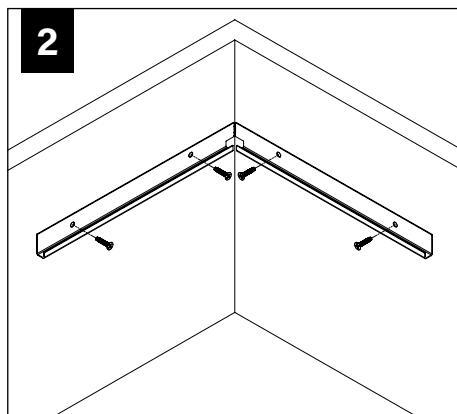
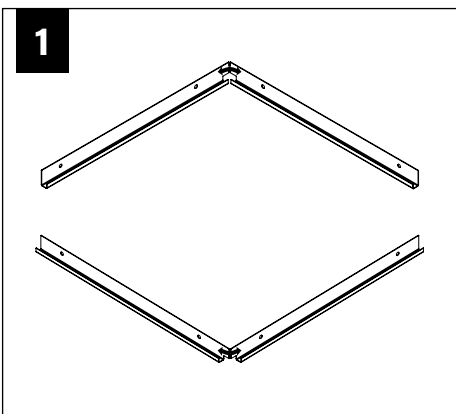
ADJUSTABLE HOUSING

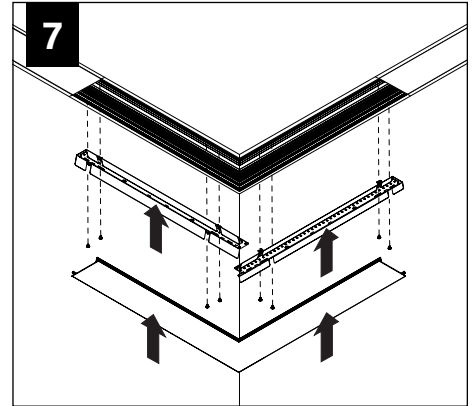
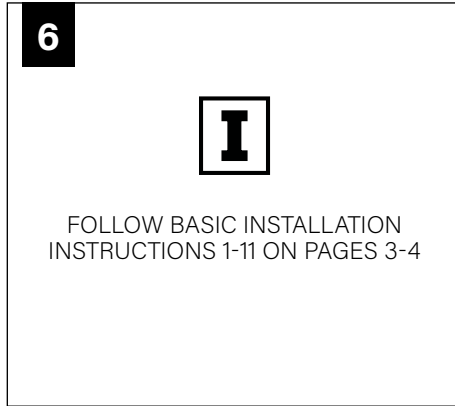
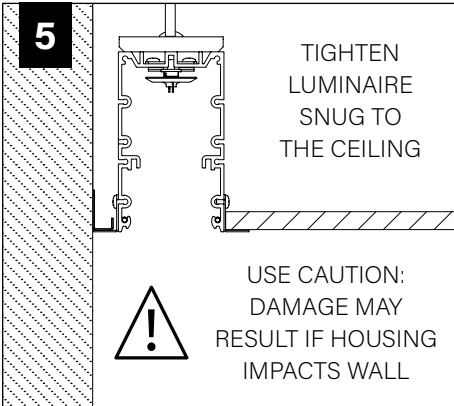
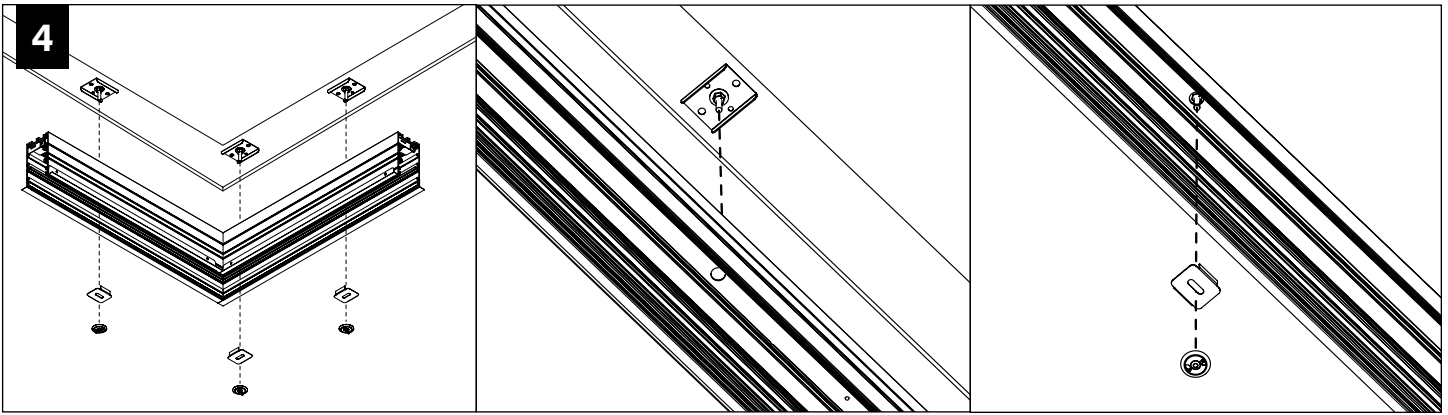
IF HOUSING LENGTH IS CORRECT SKIP TO STEP 9





CORNERS





DRIVER SERVICE

