

# Seem 2 LED Wall Mount

Wall Mount | FSM2W



FOCAL POINT®



## BEFORE YOU BEGIN

- Luminaires must be installed by a qualified electrician (check with local and national codes for proper installation).
- To prevent electrical shock, disconnect electrical supply before installation or servicing.
- Contractor is responsible for adequately reinforcing walls and/or ceilings to support fixture weight.
- Focal Point, LLC accepts no responsibility for inadequately reinforced walls and/or ceilings.
- The information contained in this drawing is the sole property of Focal Point, LLC. Any reproduction in part or whole without the written permission of Focal Point, LLC is prohibited.

## INSTRUCTION KEY



**ATTENTION**



**SEE ADDITIONAL INSTRUCTIONS**



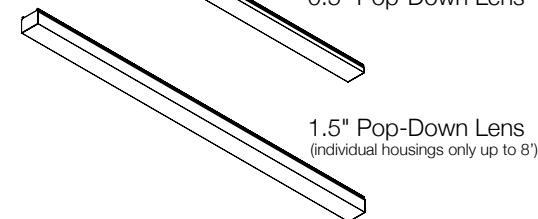
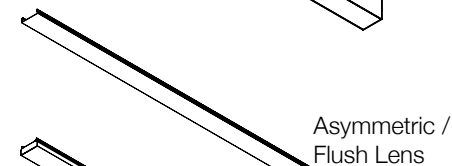
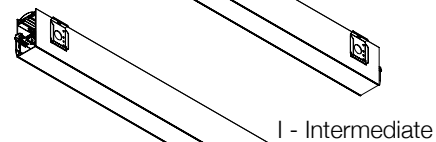
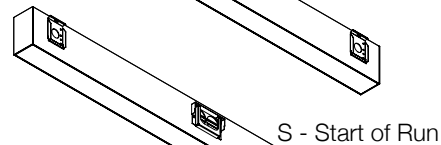
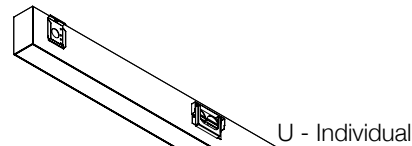
**POWER OFF**



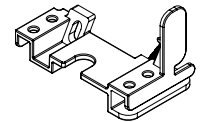
**POWER ON**

## COMPONENT KEY

### FOCAL POINT

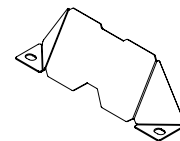
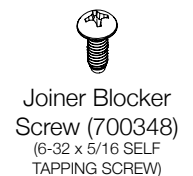


### SHIPPED INSTALLED



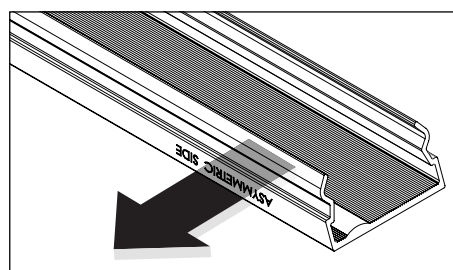
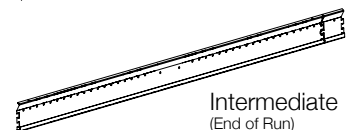
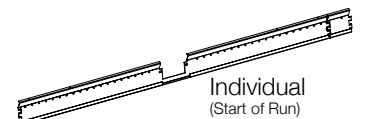
Joiner Bracket  
Assembly  
(A48094-01)

### SHIPPED IN HARDWARE BAG



Joiner Blocker  
(A48495-01-WH)

### MOUNTING RAIL

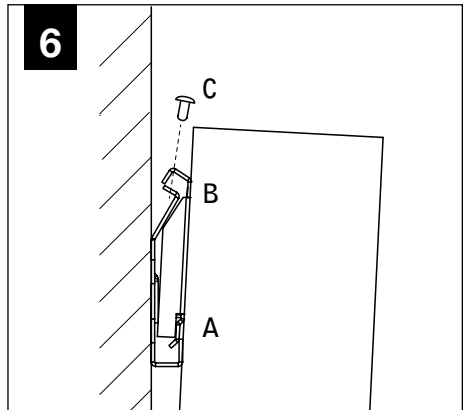
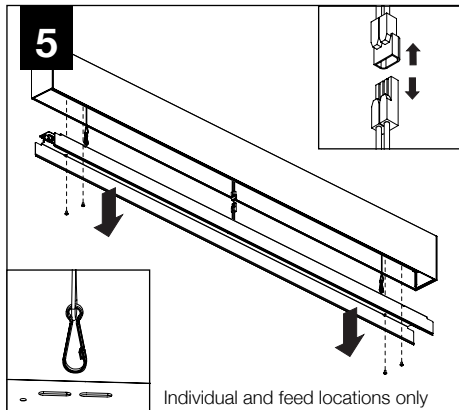
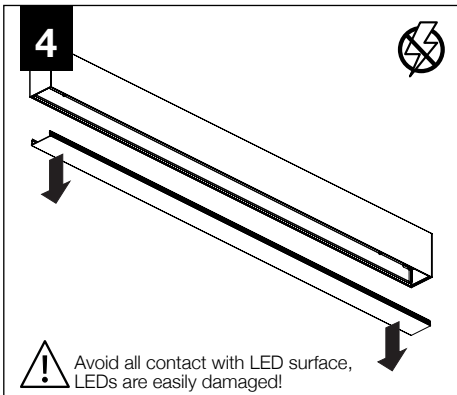
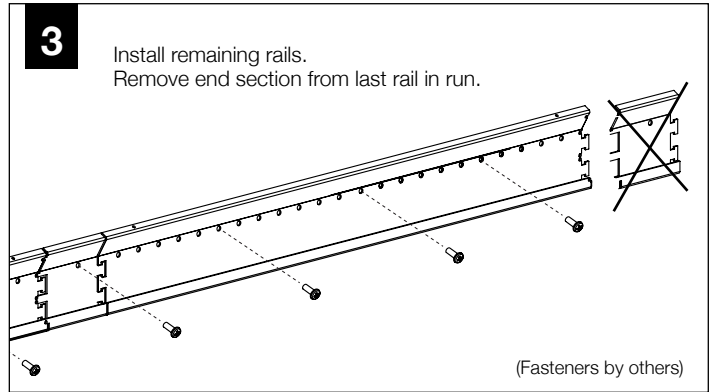
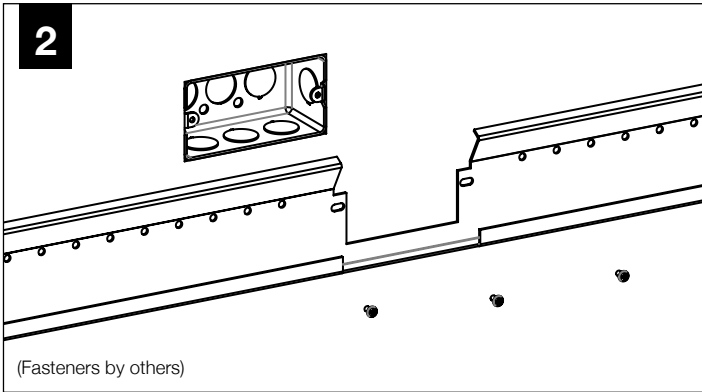
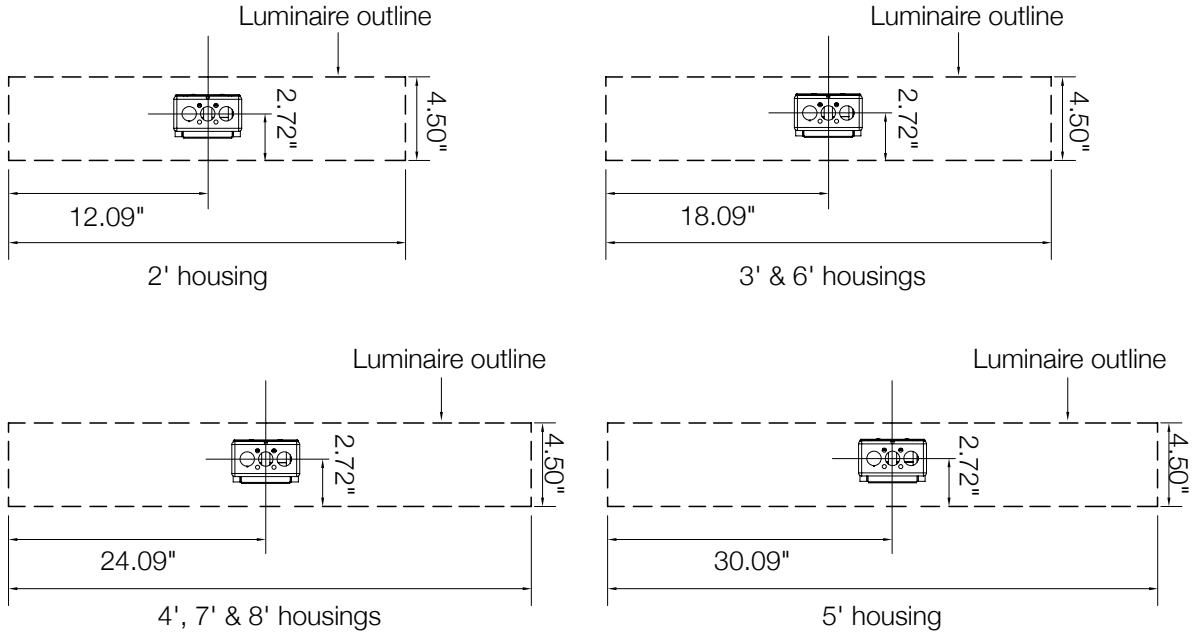


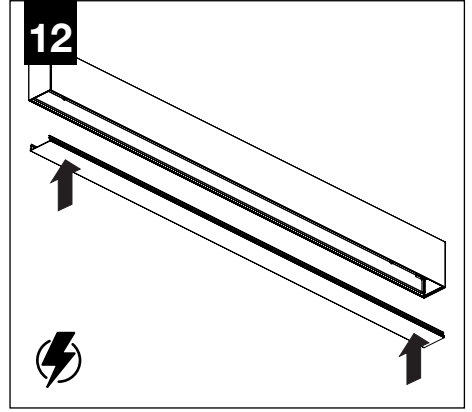
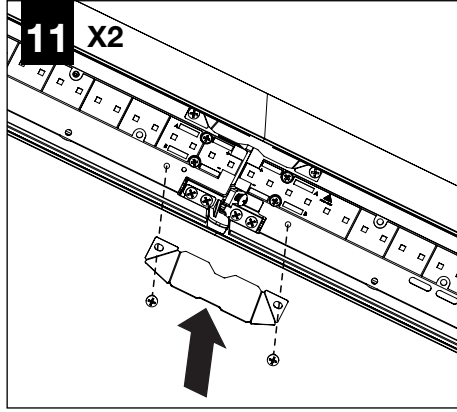
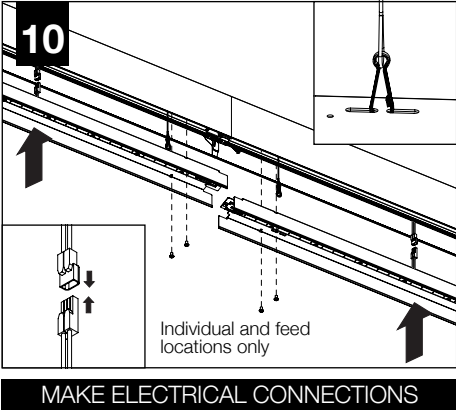
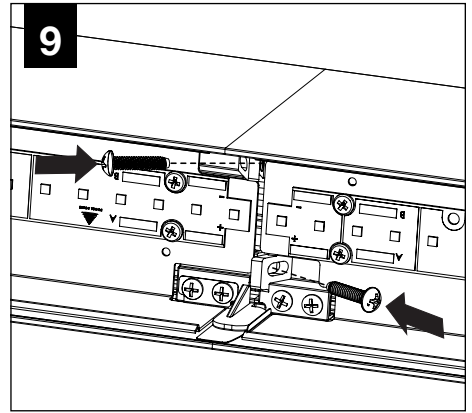
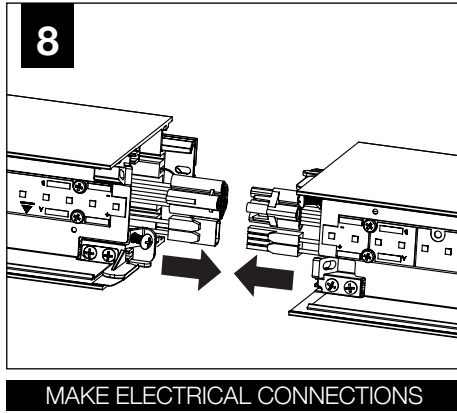
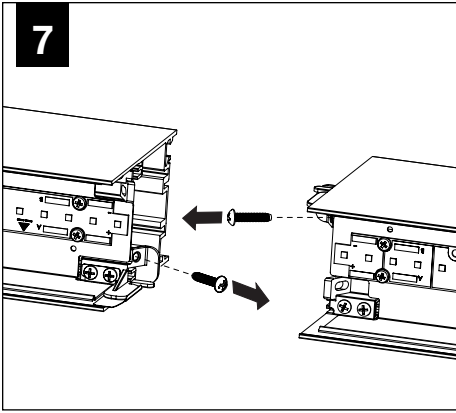
Asymmetric Lens Distribution Direction

**! INDIVIDUAL UNIT INSTALLATION FOLLOW STEPS 1-6, 10 & 12**

**1** **!** Dimensions shown are from the room side observing the wall

Locate j-box center & install (j-box by others. 4"X2" handy box.)





**DRIVER SERVICE**

