

# Seem® 1 Mud-In-Drywall

FSM1-XF



FOCAL POINT®

## BEFORE YOU BEGIN

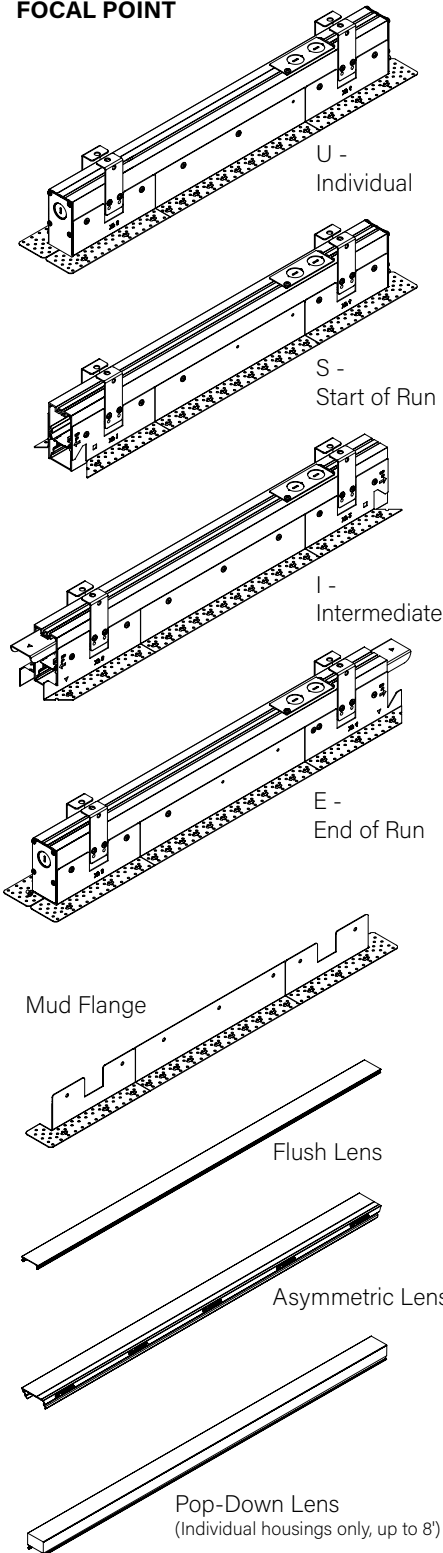
- Luminaires must be installed by a qualified electrician (check with local and national codes for proper installation).
- To prevent electrical shock, disconnect electrical supply before installation or servicing.
- Contractor is responsible for adequately reinforcing walls and/or ceilings to support fixture weight.
- Focal Point, LLC accepts no responsibility for inadequately reinforced walls and/or ceilings.
- The information contained in this drawing is the sole property of Focal Point, LLC. Any reproduction in part or whole without the written permission of Focal Point, LLC is prohibited.

## INSTRUCTION KEY

- ATTENTION**
- SEE ADDITIONAL INSTRUCTIONS**
- POWER OFF**
- POWER ON**

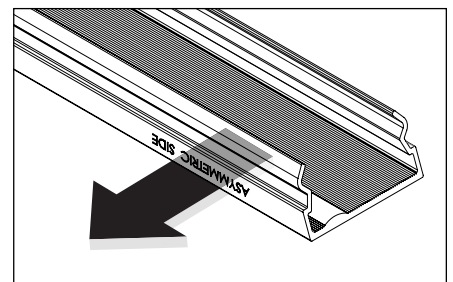
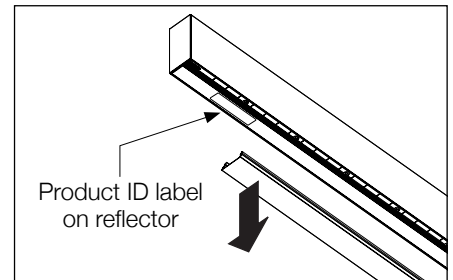
## COMPONENT KEY

### FOCAL POINT



### SHIPPED INSTALLED

- Reflector Screw (72026)  
(8-18 x 1/4 SELF TAPPING SCREW)
- Tie-Wire Bracket Screw (72010)  
(8-18 x 1/4 SELF TAPPING SCREW)
- Tie Wire Bracket (A38635-01)



SEE **PAGES 2-3** FOR POST-DRYWALL INSTALLATION

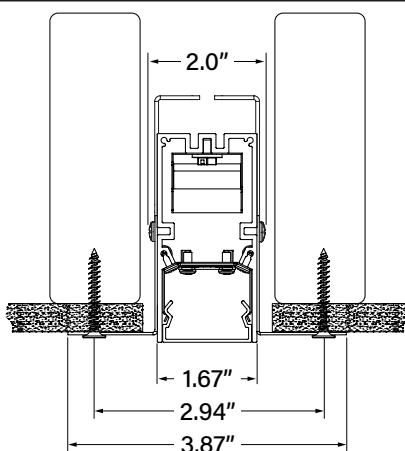
SEE **PAGES 3-4** FOR PRE-DRYWALL INSTALLATION

# POST-DRYWALL INSTALLATION

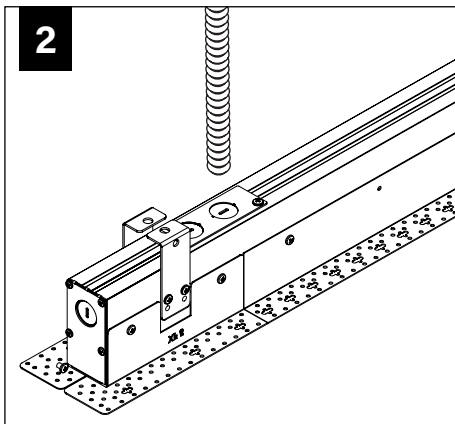
1



**2"X6" FRAMING  
REQUIRED ON BOTH SIDES  
OF HOUSING**



2



**MAKE ELECTRICAL CONNECTION**



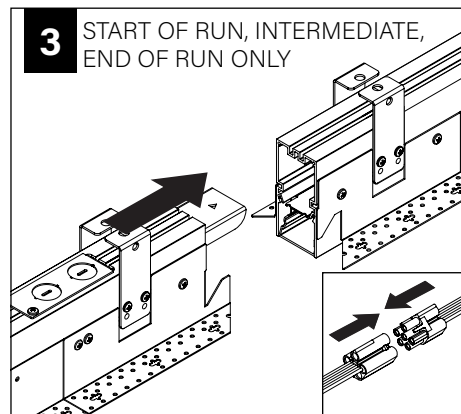
**LENS MUST BE INSTALLED  
PRIOR TO DRYWALL  
INSTALLATION**



**INDIVIDUAL INSTALLATIONS  
SKIP TO STEP 5**

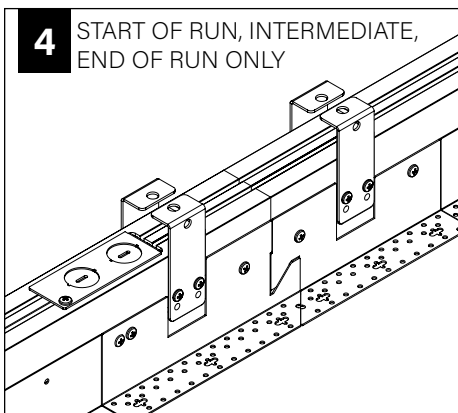
3

**START OF RUN, INTERMEDIATE,  
END OF RUN ONLY**

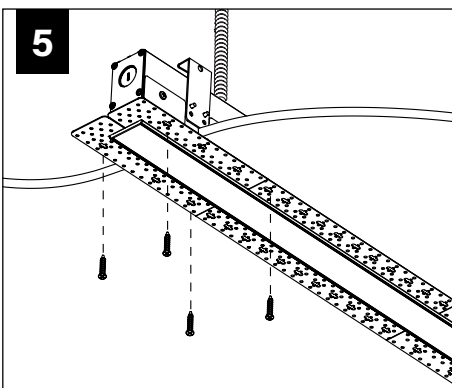


4

**START OF RUN, INTERMEDIATE,  
END OF RUN ONLY**

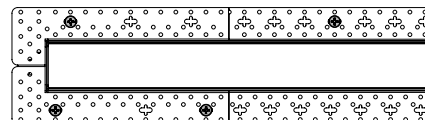


5



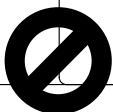
**DRYWALL INSTALLS BEHIND MUD FLANGE**

6

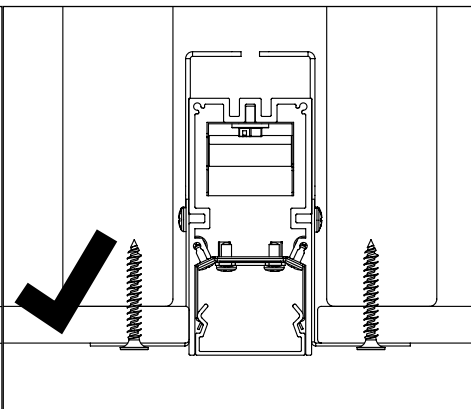
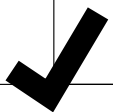


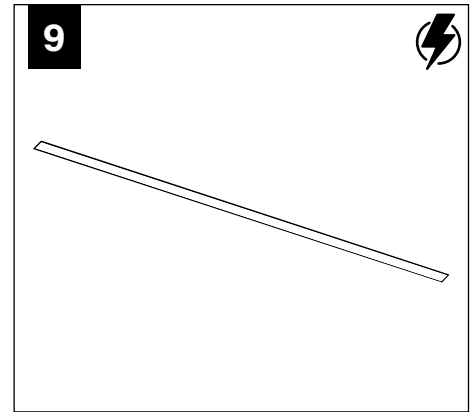
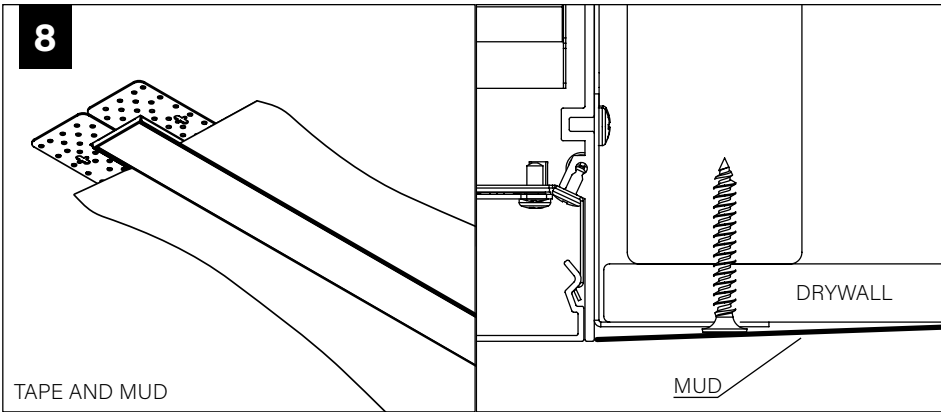
**STAGGER SCREWS AT LEAST 4" APART**

7

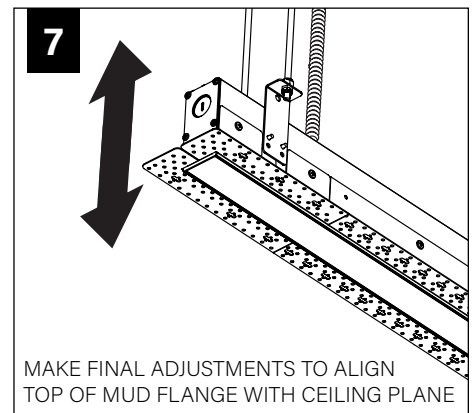
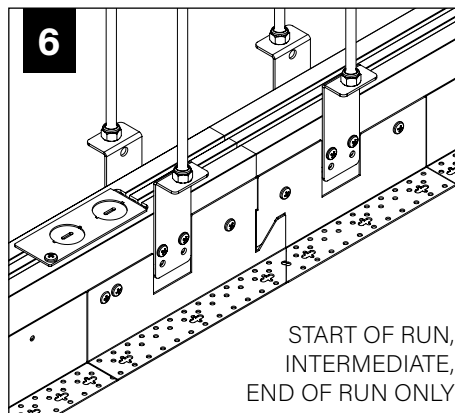
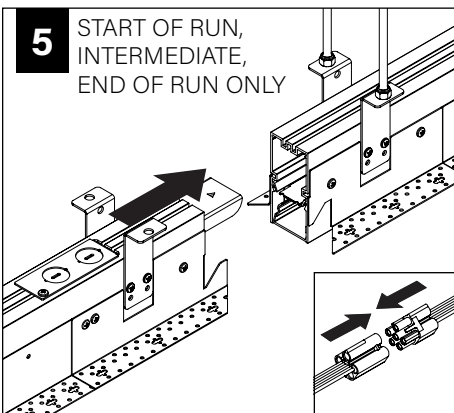
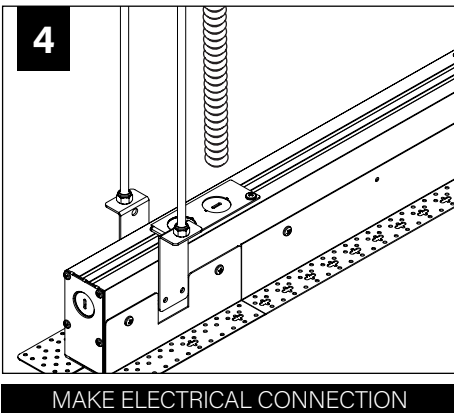
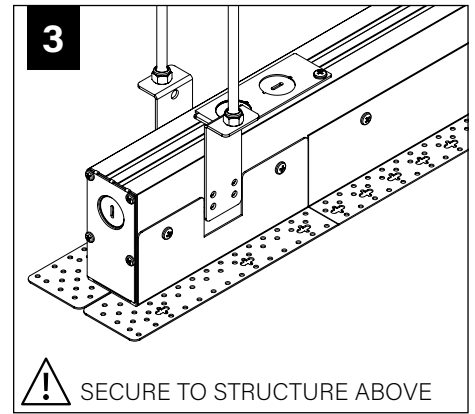
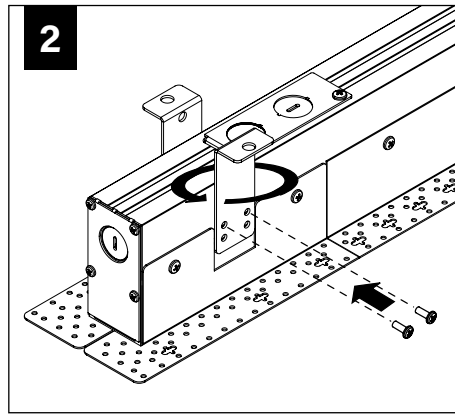
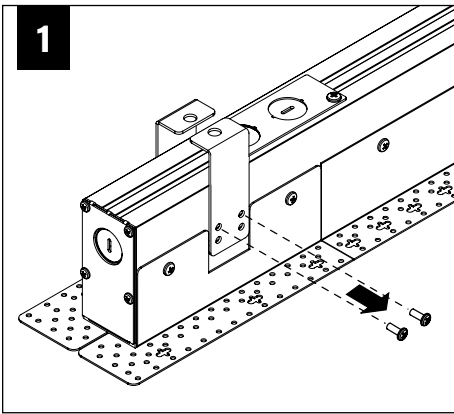


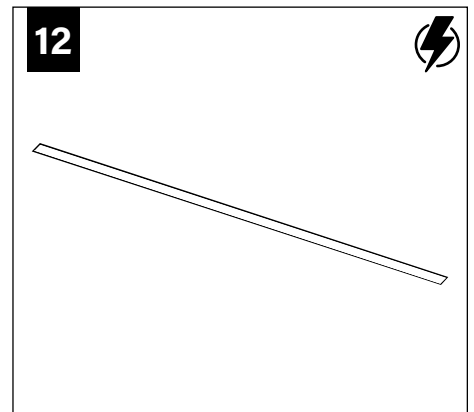
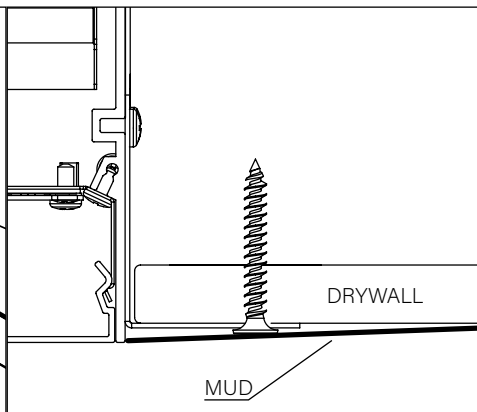
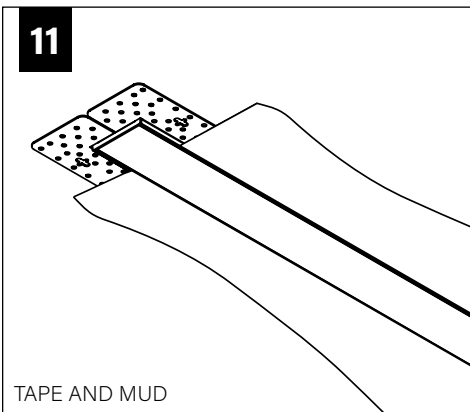
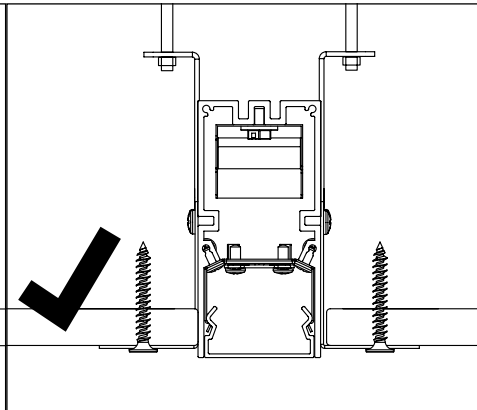
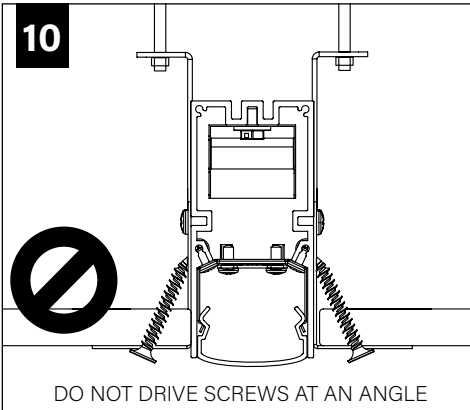
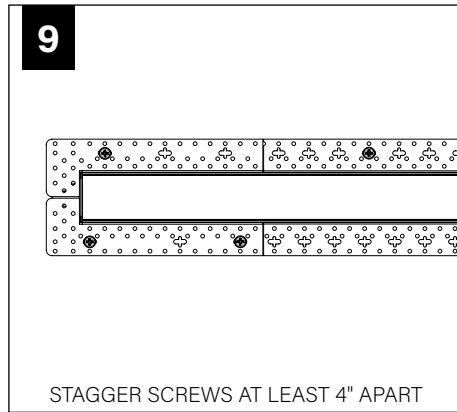
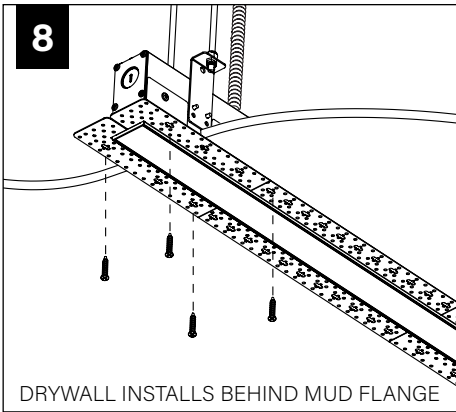
**DO NOT DRIVE SCREWS AT AN ANGLE**





**PRE-DRYWALL INSTALLATION**





**DRIVER SERVICE**

