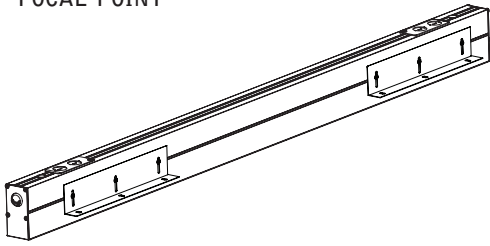


# seem™ 1 XFN & XFW mounting bracket

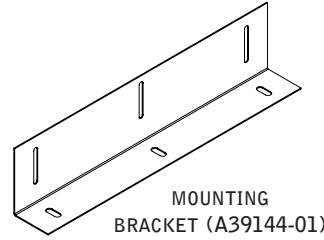


FOCAL POINT






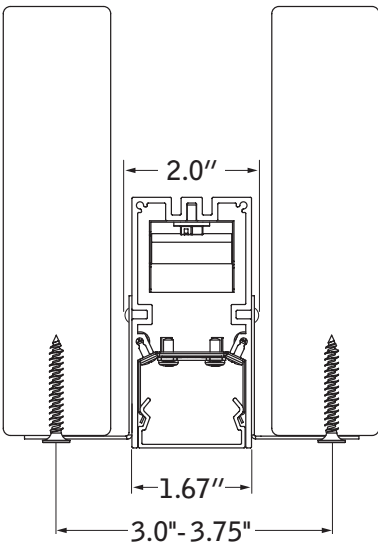
PARTS LISTS

 (72010)  
(8-18 x 1/4 SELF TAPPING  
SCREW)



KEY


-  POWER OFF
-  POWER ON
-  ATTENTION



FIXTURE LENGTH	NUMBER OF MOUNTING KITS
1' 11"	1
2'	1
2' 11"	1
3'	2
4'	2
4' 11"	2
5'	3
6'	3
6' 11"	3
7'	4
7' 11"	4
8'	4

## MOUNTING BRACKET INSTALLATION

**1**



**2**

ADJUST MOUNTING BRACKET HEIGHT TO DESIRED MATERIAL THICKNESS FROM 3/8" TO 1 5/8"  
CONSULT FACTORY FOR MATERIAL THICKNESS GREATER THAN 1 5/8"

**3**

SECURE MOUNTING BRACKET TO  
INSTALLATION SUPPORTS,  
IF APPLICABLE  
(HARDWARE BY OTHERS)

Luminaires must be installed by a qualified electrician (check with local and national codes for proper installation).  
To prevent electrical shock, disconnect electrical supply before installation or servicing.