

Seem® 1 Point Source

Suspended | FSM1DBS | FSM1DS



FOCAL POINT®



BEFORE YOU BEGIN

- Luminaires must be installed by a qualified electrician (check with local and national codes for proper installation).
- To prevent electrical shock, disconnect electrical supply before installation or servicing.
- Contractor is responsible for adequately reinforcing walls and/or ceilings to support fixture weight.
- Focal Point, LLC accepts no responsibility for inadequately reinforced walls and/or ceilings.
- The information contained in this drawing is the sole property of Focal Point, LLC. Any reproduction in part or whole without the written permission of Focal Point, LLC is prohibited.

INSTRUCTION KEY



ATTENTION



SEE ADDITIONAL INSTRUCTIONS



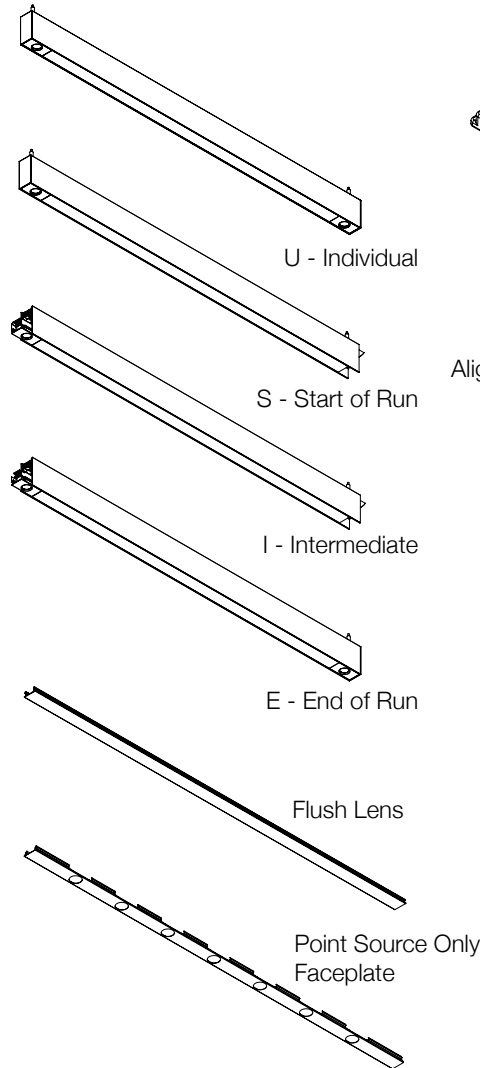
POWER OFF



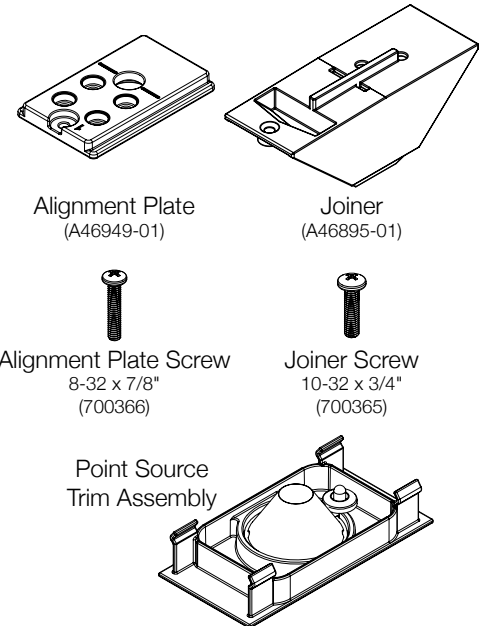
POWER ON

COMPONENT KEY

FOCAL POINT

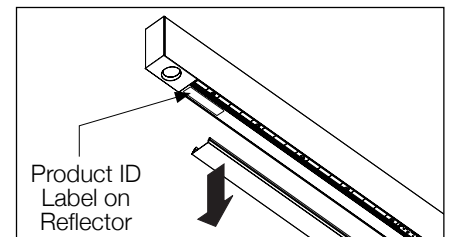


SHIPPED INSTALLED



POINT SOURCE TRIM ASSEMBLY SHIPS INSTALLED IN SOME, BUT NOT ALL INSTANCES. COMPLETE INSTALL OF RUN PRIOR TO TRIM ASSEMBLY INSTALLATION.

PRODUCT ID LOCATION



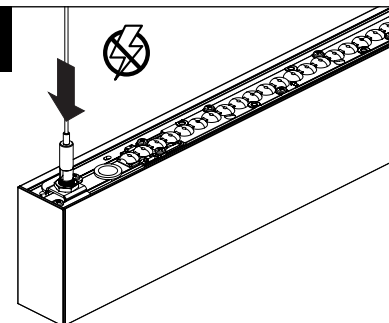
INDIVIDUAL INSTALLATIONS FOLLOW STEPS 1, 2 & 6

1



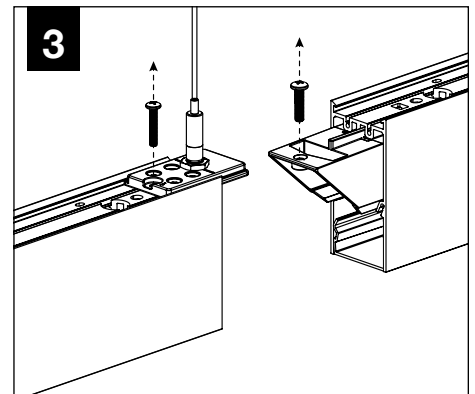
FOLLOW FOCAL POINT INSTRUCTIONS FOR UNIVERSAL SUSPENSION SYSTEM ASSEMBLY. SEE IS0166

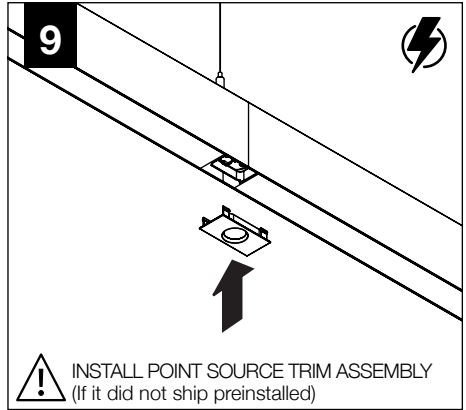
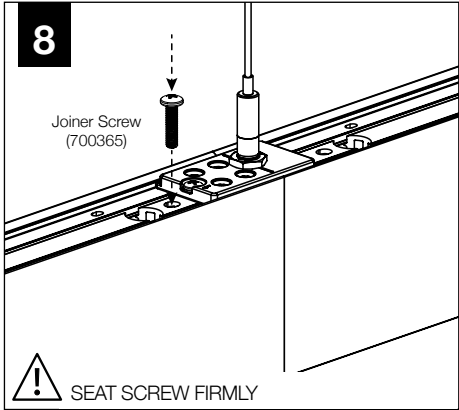
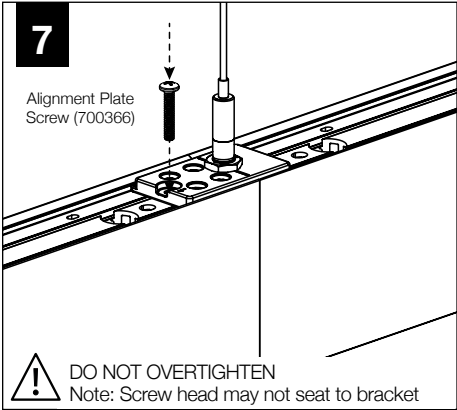
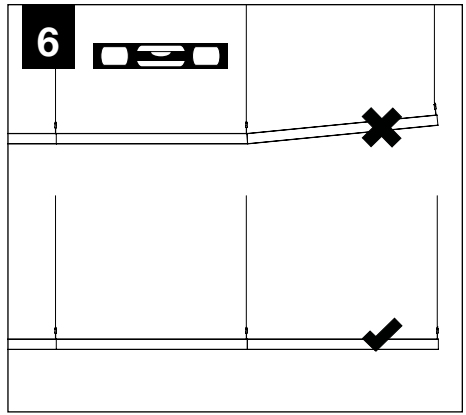
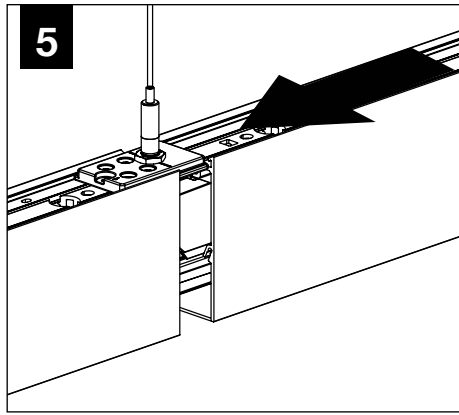
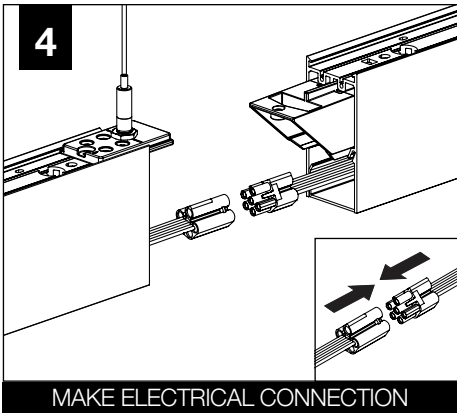
2



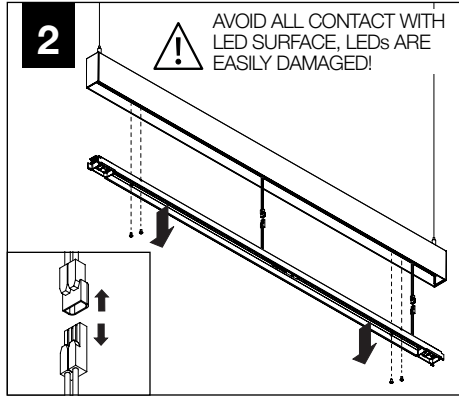
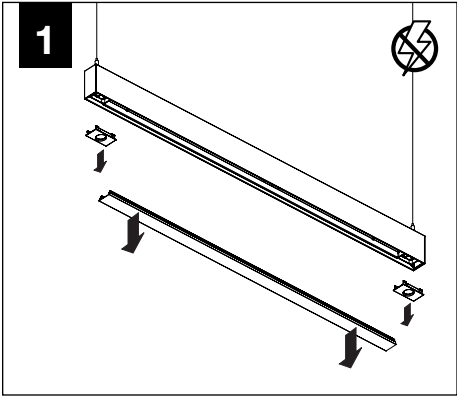
TWO CABLE GRIPPERS EACH FOR INDIVIDUAL AND START, ONE FOR INTERMEDIATE AND END HOUSINGS.

3





DRIVER SERVICE - INTEGRATED POINT SOURCE



DRIVER SERVICE - POINT SOURCE ONLY

