

# Seem® 1 Louver

Suspended | FSM1CS | FSM1CBS



FOCAL POINT®



## BEFORE YOU BEGIN

- Configurations are run specific, please consult factory drawings before beginning installation.
- Luminaires must be installed by a qualified electrician (check with local and national codes for proper installation).
- To prevent electrical shock, disconnect electrical supply before installation or servicing.
- Contractor is responsible for adequately reinforcing walls and/or ceilings to support fixture weight.
- Focal Point, LLC accepts no responsibility for inadequately reinforced walls and/or ceilings.
- The information contained in this drawing is the sole property of Focal Point, LLC. Any reproduction in part or whole without the written permission of Focal Point, LLC is prohibited.

## INSTRUCTION KEY



ATTENTION



SEE ADDITIONAL INSTRUCTIONS

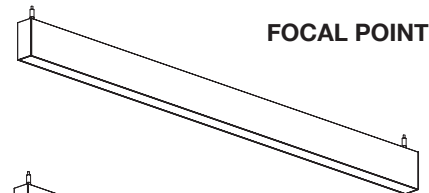


POWER OFF

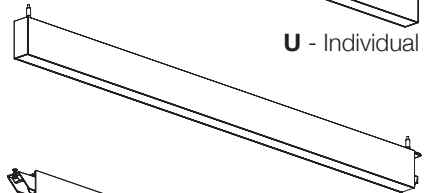


POWER ON

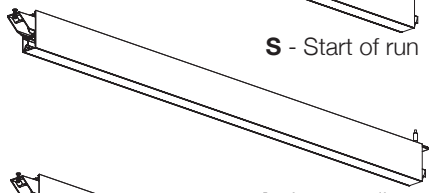
## COMPONENT KEY



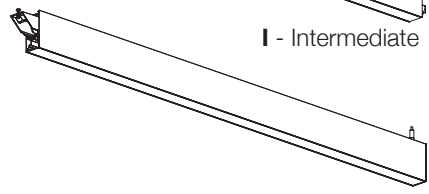
U - Individual



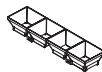
S - Start of run



I - Intermediate



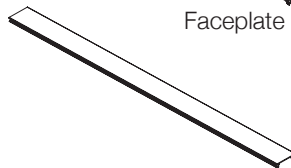
E - End of run



Louver

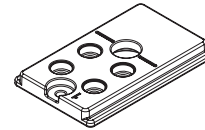


Faceplate

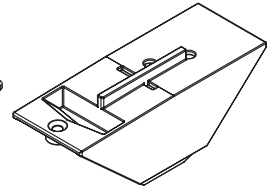


Flush Lens

## SHIPPED INSTALLED



Alignment Plate  
(A46949-01)



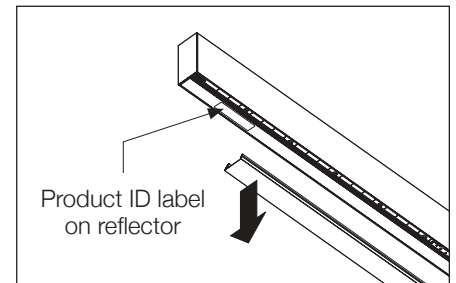
Joiner  
(A46895-01)



Alignment Plate Screw  
8-32 x 7/8"  
(700366)



Joiner Screw  
10-32 x 3/4"  
(700365)



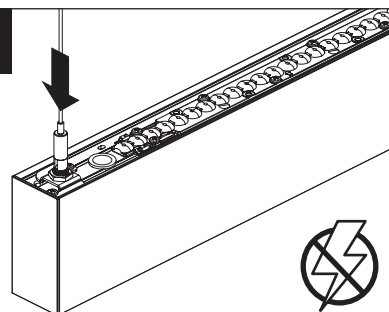
## INDIVIDUAL INSTALLATIONS FOLLOW STEPS 1 & 2

1



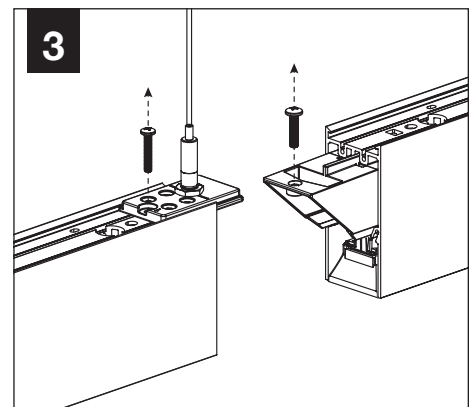
Follow Focal Point instructions for Universal Suspension System assembly.  
See IS0166

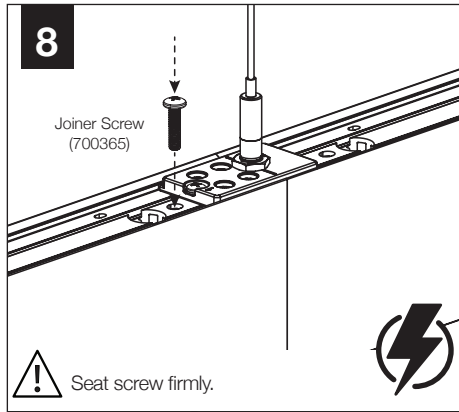
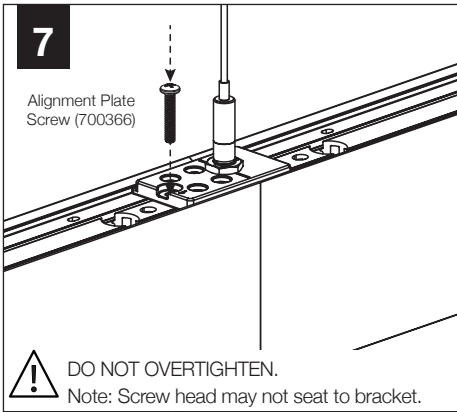
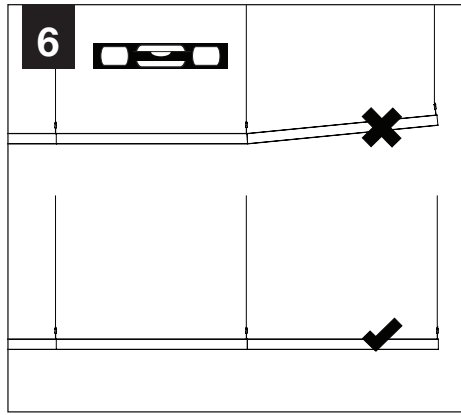
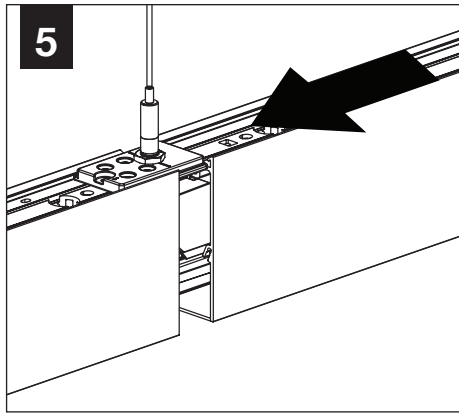
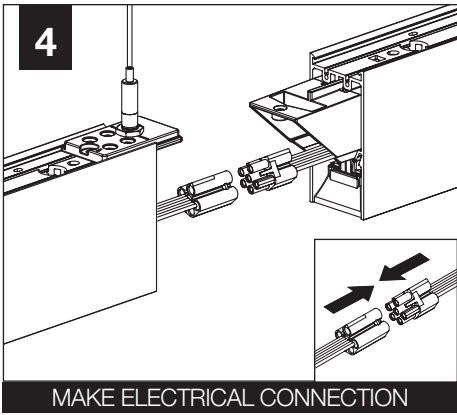
2



Two cable grippers each for individual and start, one for intermediate and end housings.

3





**EM- MOUNTING HEIGHT**

**I**

See Battery Manufacturer Instructions

Emergency maximum mounting height:

**External Switch: 26.4'**  
**Internal Switch: 8.0'**

**DRIVER SERVICE**

