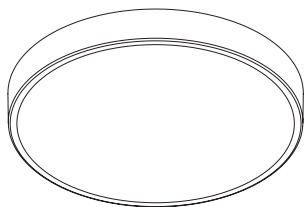


skydome™ led surface mount

FSDL-22|33|44-SM



FOCAL POINT



MOUNTING HARDWARE PROVIDED BY OTHERS

WEIGHTS: 2' - 23LBS
3' - 50LBS
4' - 72LBS

KEY



POWER OFF



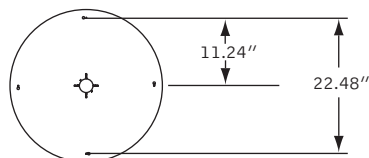
POWER ON



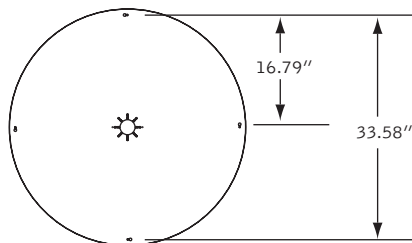
ATTENTION

MOUNTING LOCATIONS

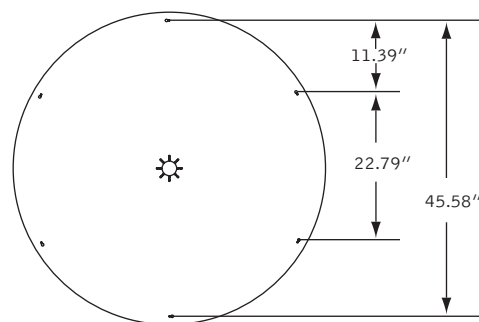
2' DIAMETER



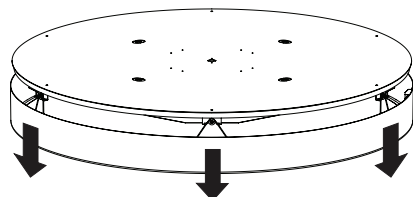
3' DIAMETER



4' DIAMETER

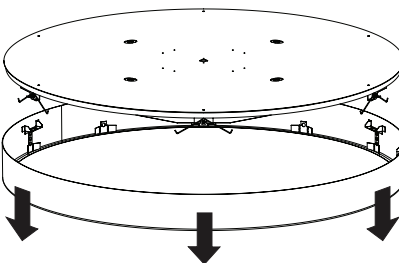


1

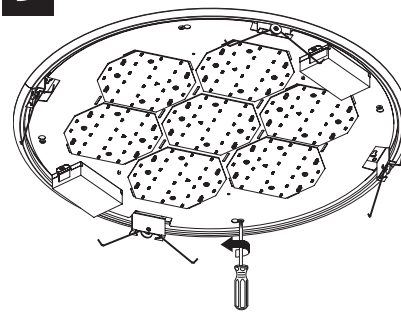


TIGHT FIT, MULTIPLE PEOPLE REQUIRED.

2

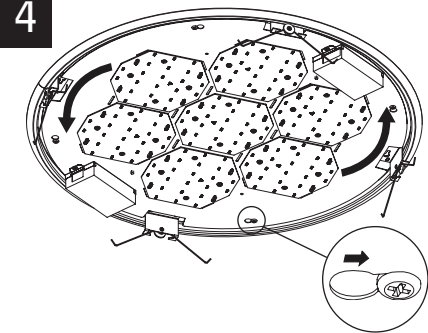


3



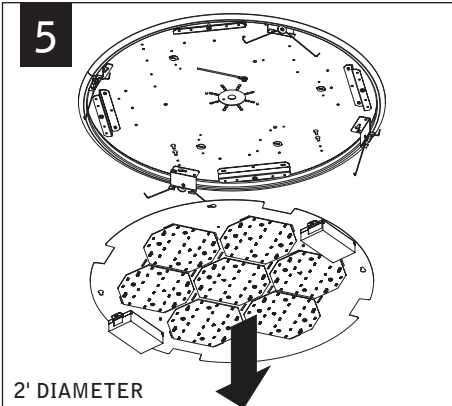
LOOSEN SCREWS, DO NOT REMOVE

4



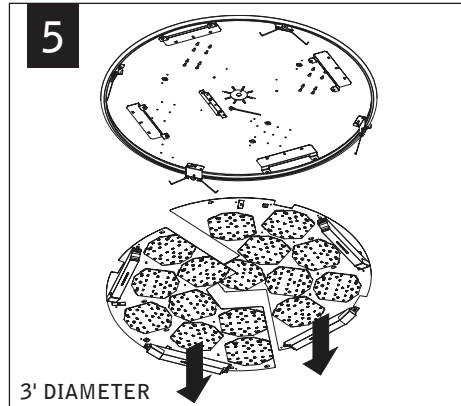
AVOID ALL CONTACT WITH LED SURFACE, LEDs ARE EASILY DAMAGED!

5



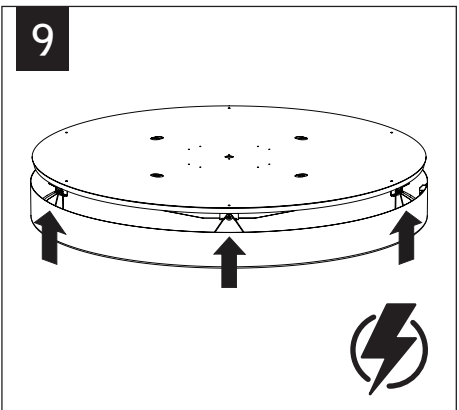
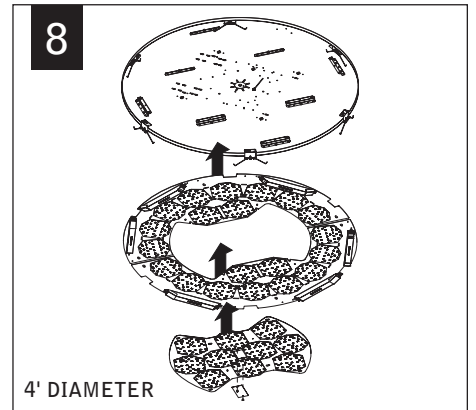
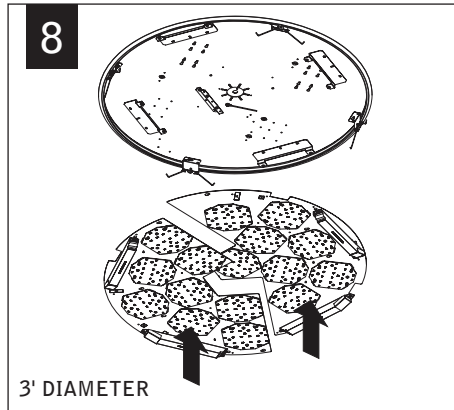
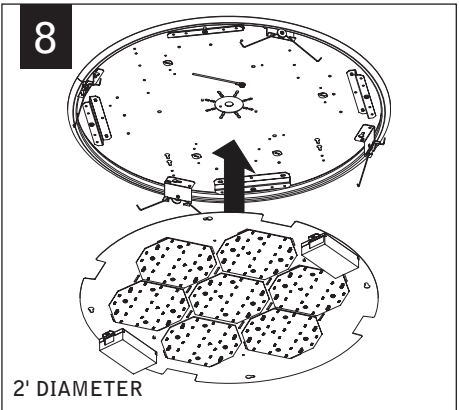
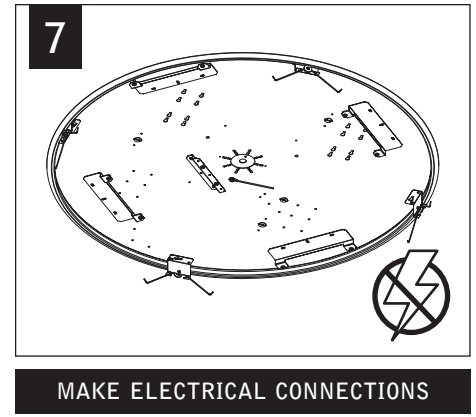
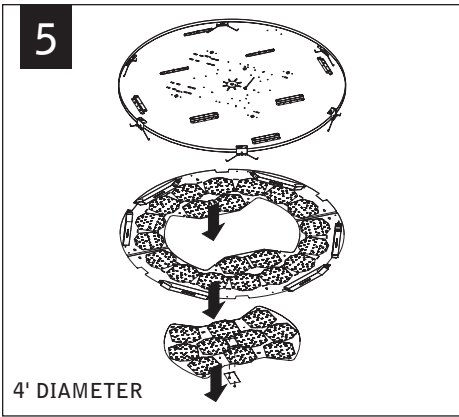
2' DIAMETER

5



3' DIAMETER

Luminaires must be installed by a qualified electrician (check with local and national codes for proper installation). To prevent electrical shock, disconnect electrical supply before installation or servicing.



DRIVER SERVICE

FOLLOW
INSTALLATION
STEPS 1-2

EMERGENCY

I

SEE BATTERY MANUFACTURER
INSTRUCTIONS

EMERGENCY MAXIMUM MOUNTING HEIGHT:
16.00'

Contractor is responsible for adequately reinforcing walls and/or ceilings to support luminaire weight. Focal Point, LLC accepts no responsibility for inadequately reinforced walls and/or ceilings. The information contained in this drawing is the sole property of Focal Point, LLC. Any reproduction in part or whole without the written permission of Focal Point, LLC is prohibited.