

BEFORE YOU BEGIN

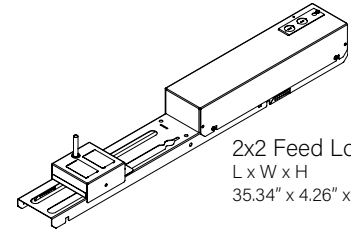
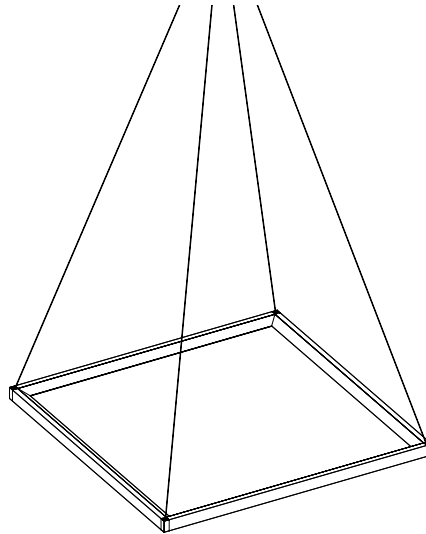
- Luminaires must be installed by a qualified electrician (check with local and national codes for proper installation).
- To prevent electrical shock, disconnect electrical supply before installation or servicing.
- Contractor is responsible for adequately reinforcing walls and/or ceilings to support fixture weight.
- Focal Point, LLC accepts no responsibility for inadequately reinforced walls and/or ceilings.
- The information contained in this drawing is the sole property of Focal Point, LLC. Any reproduction in part or whole without the written permission of Focal Point, LLC is prohibited.

INSTRUCTION KEY

- ATTENTION**
- SEE ADDITIONAL INSTRUCTIONS**
- POWER OFF**
- POWER ON**

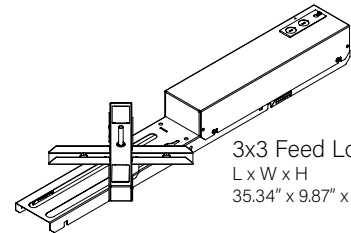
COMPONENT KEY

FOCAL POINT

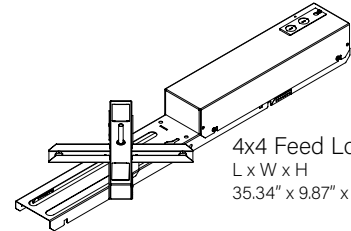


2x2 Feed Location
L x W x H
35.34" x 4.26" x 3.83"

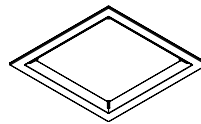
Emergency
L x W x H
35.34" x 5.57" x 3.83"



3x3 Feed Location
L x W x H
35.34" x 9.87" x 3.83"

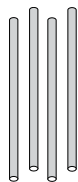


4x4 Feed Location
L x W x H
35.34" x 9.87" x 3.83"

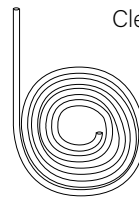


Canopy

PARTS LIST



Cable Sleeve
(700122)



Clear Cable Sleeve
(optional)
(700124)

DO NOT TRIM EXCESS
SUSPENSION CABLE UNTIL
LUMINAIRE IS FULLY ADJUSTED.

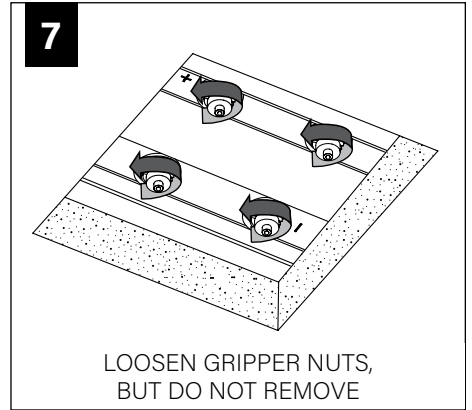
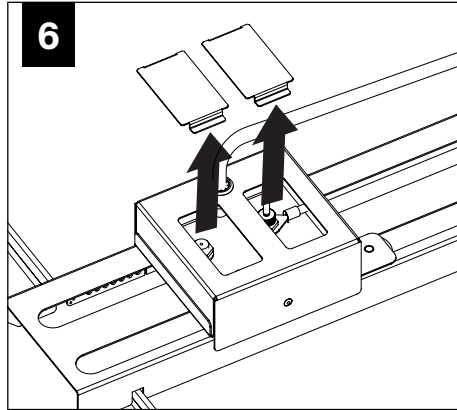
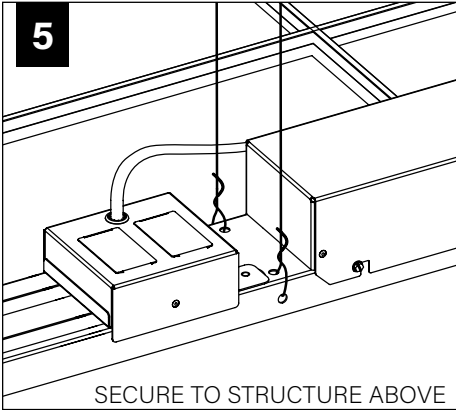
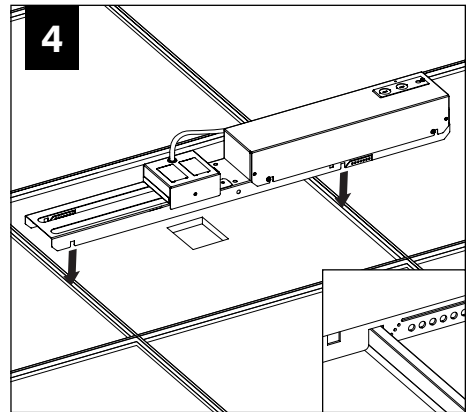
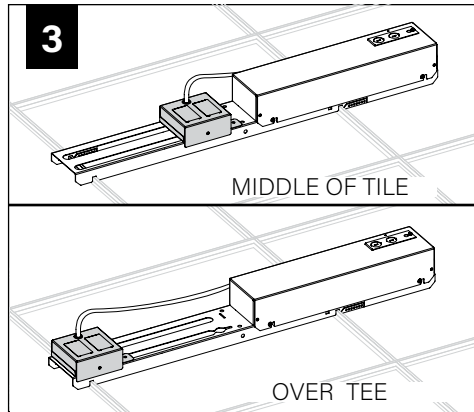
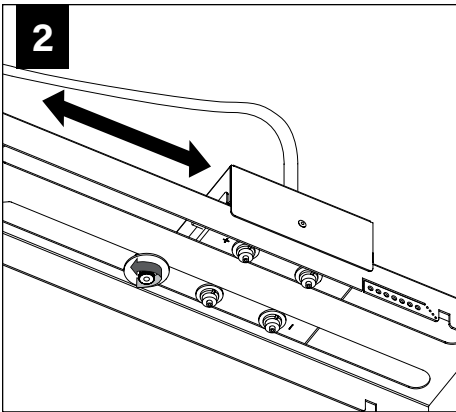
CABLES ARE NOT FIELD
REPLACABLE.

1

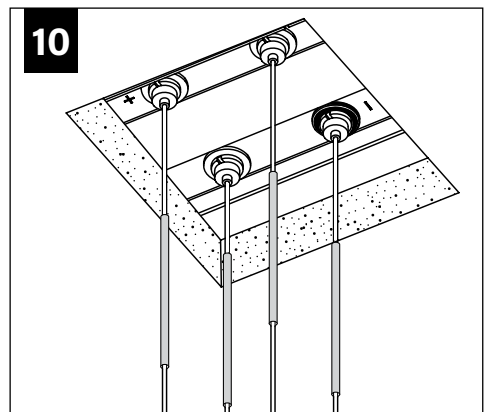
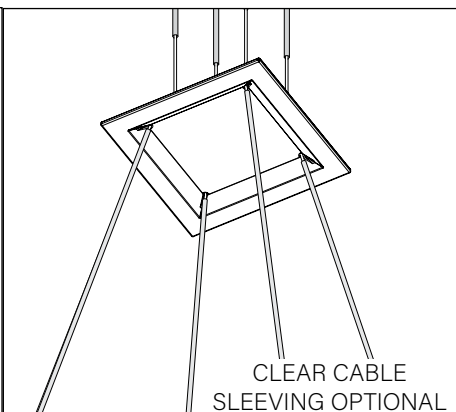
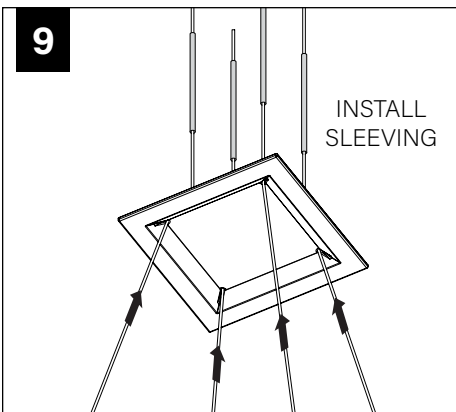
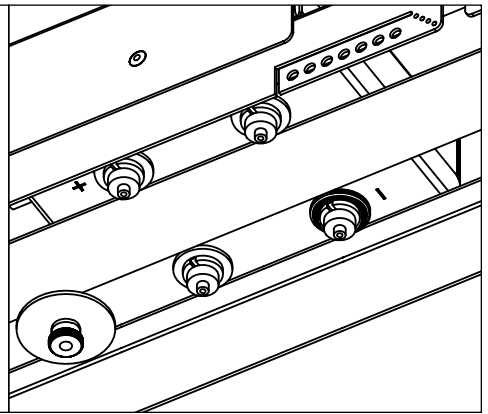
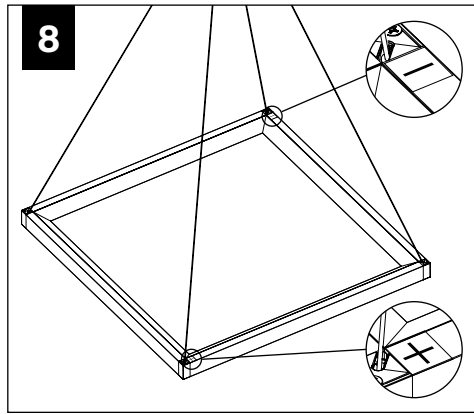
2X2 CUTOUT

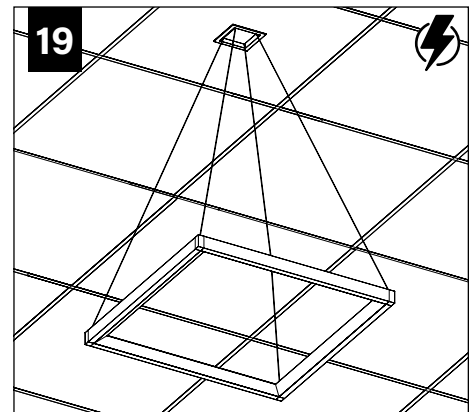
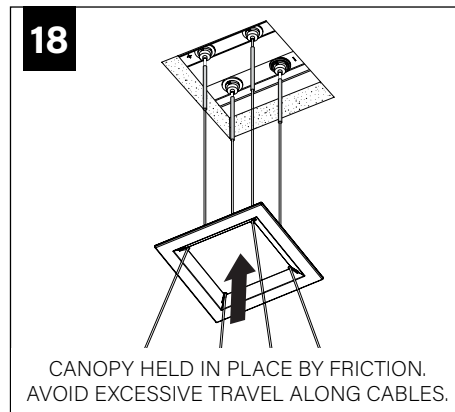
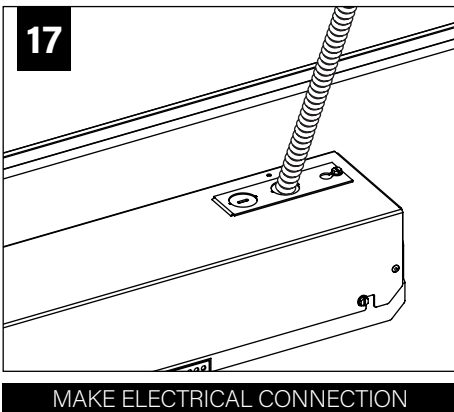
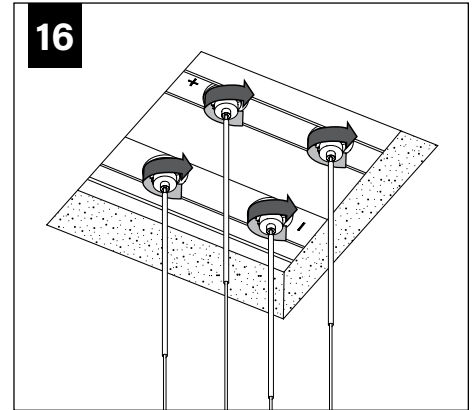
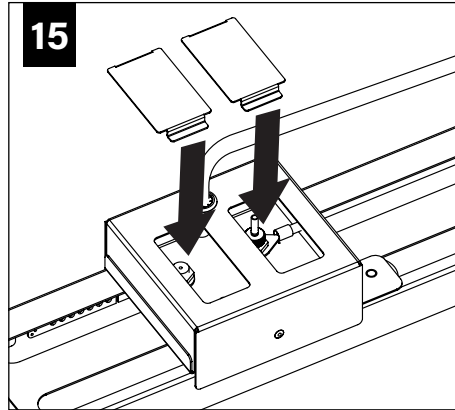
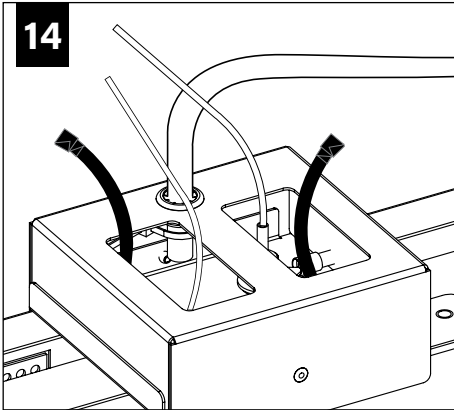
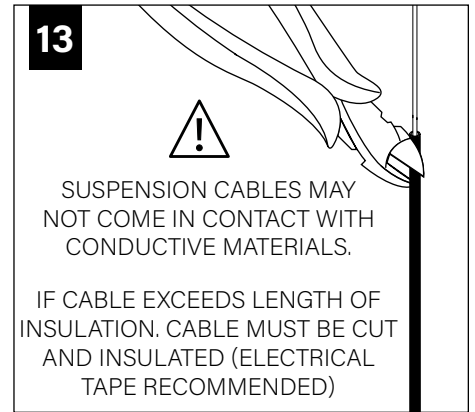
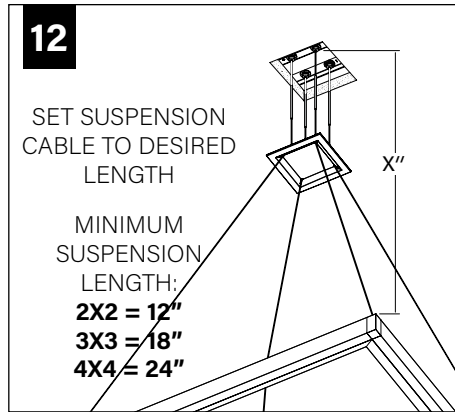
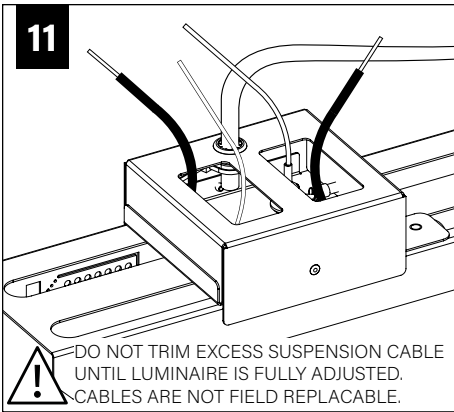
3X3 CUTOUT

4X4 CUTOUT

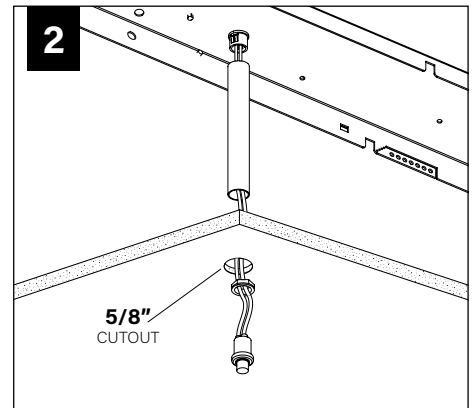
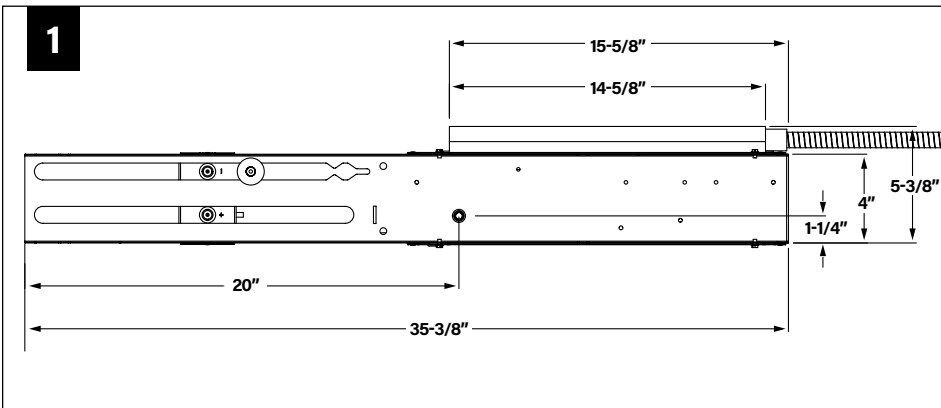


MATCH POLARITY OF LOW VOLTAGE CABLES ON LUMINAIRE WITH POSITIVE AND NEGATIVE TERMINALS ON POWERED FEED AS INDICATED





EMERGENCY



3



SEE BATTERY
MANUFACTURER
INSTRUCTIONS



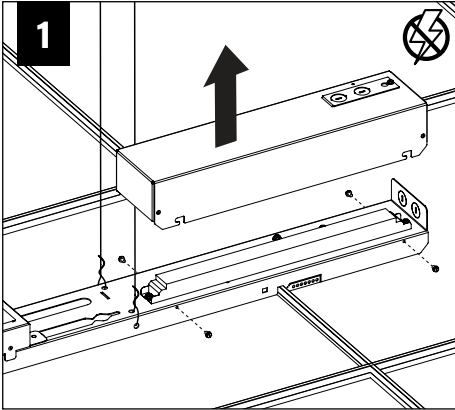
DO NOT MATE CONNECTOR
UNTIL INSTALLATION
IS COMPLETE AND
A.C. POWER IS SUPPLIED

4

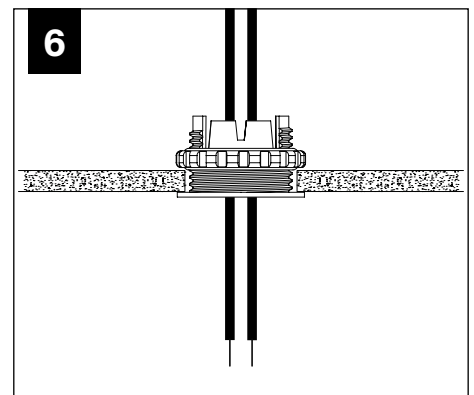
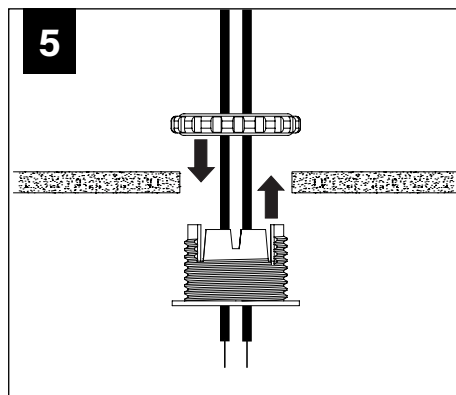
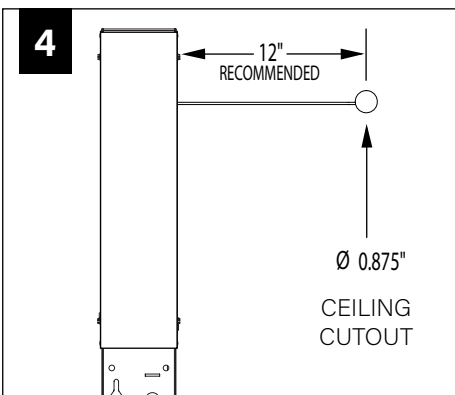
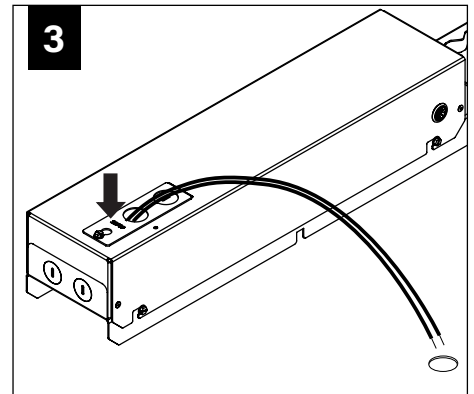
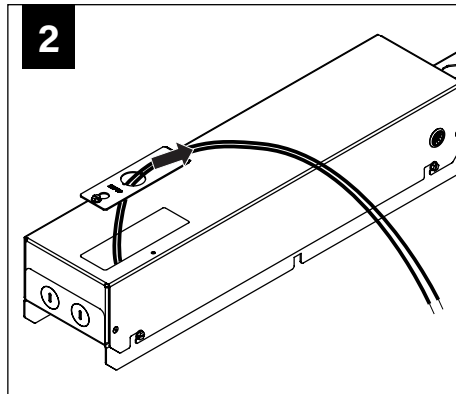
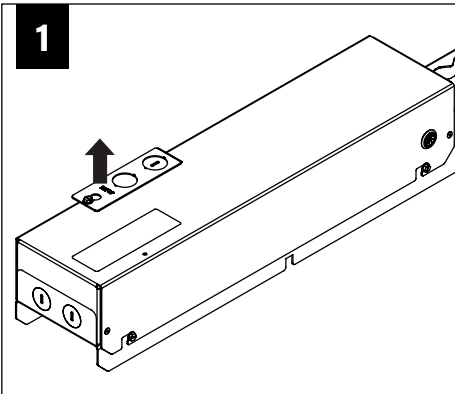


EMERGENCY MAXIMUM
MOUNTING HEIGHT: 16.60'

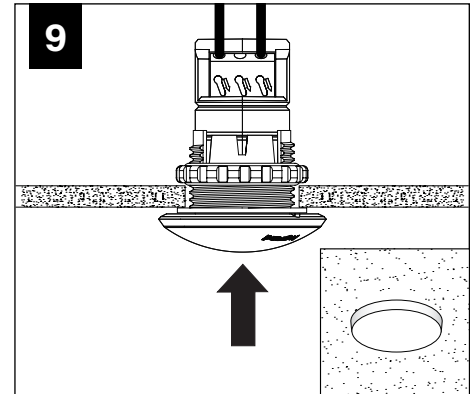
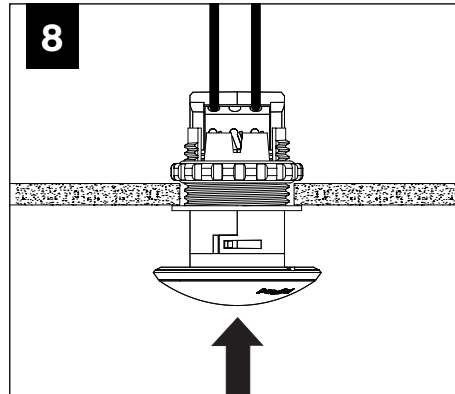
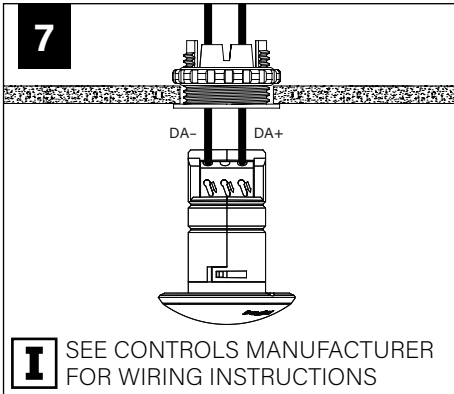
DRIVER SERVICE



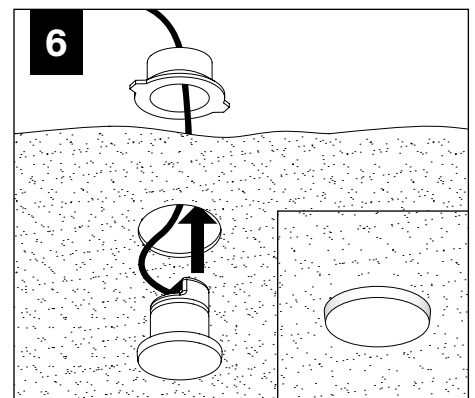
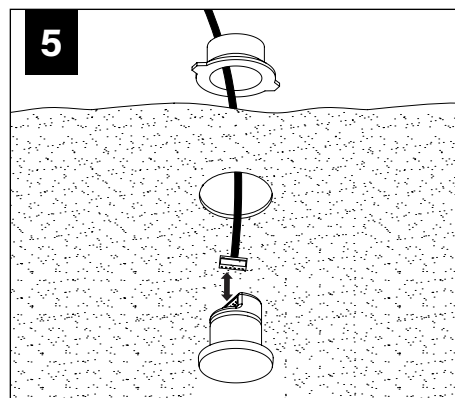
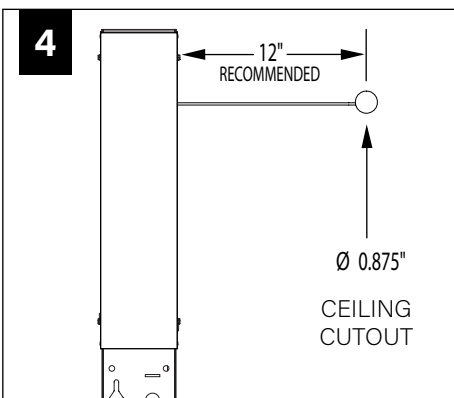
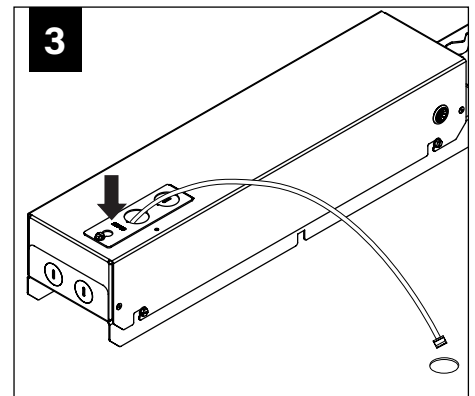
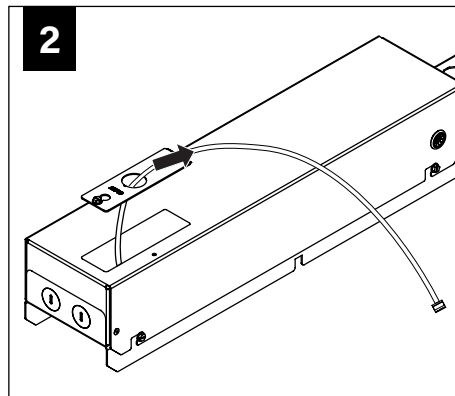
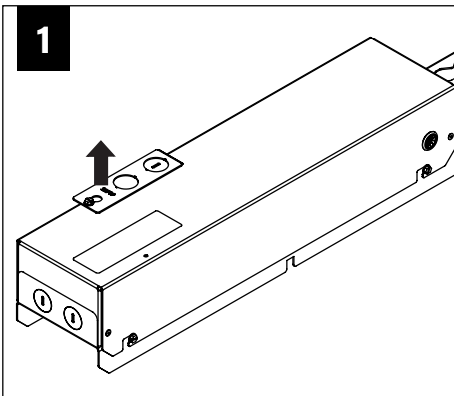
WATTSTOPPER



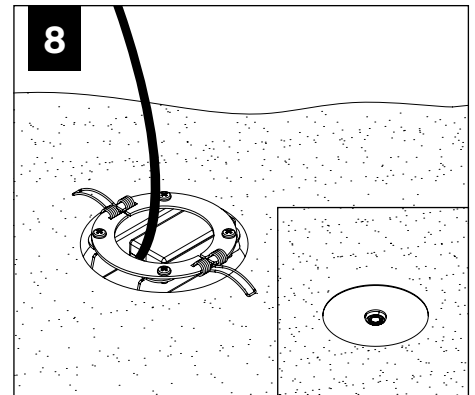
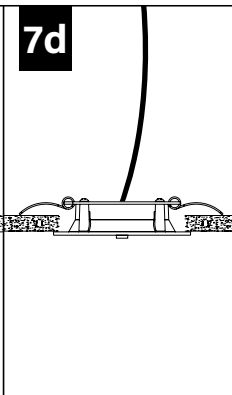
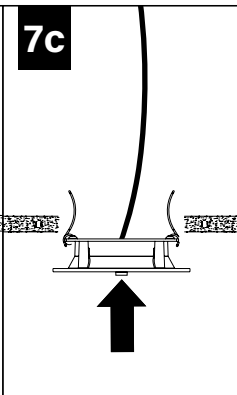
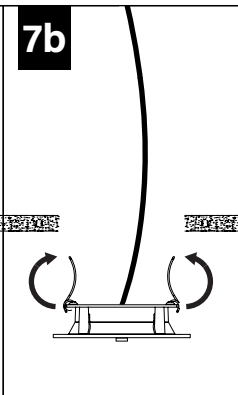
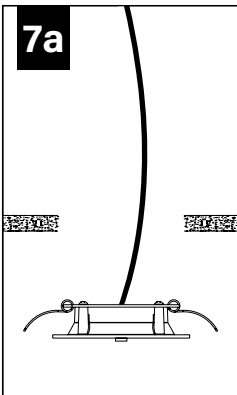
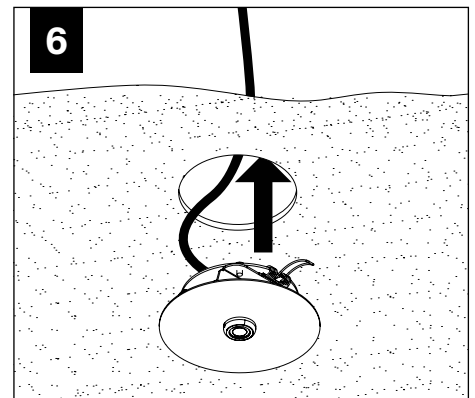
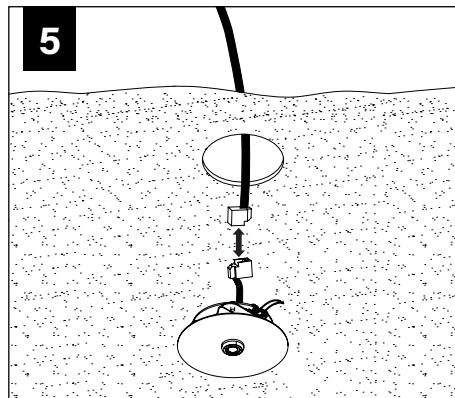
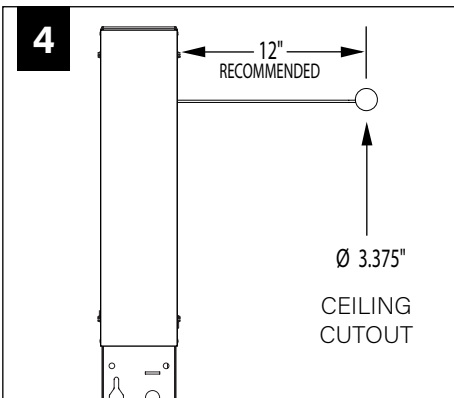
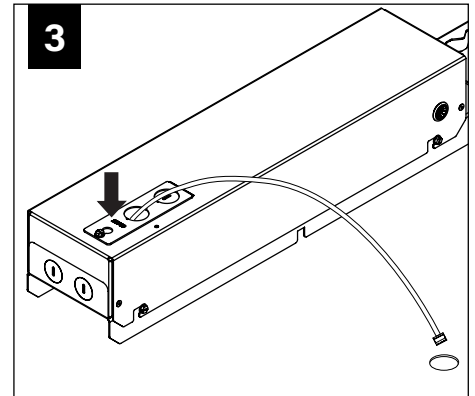
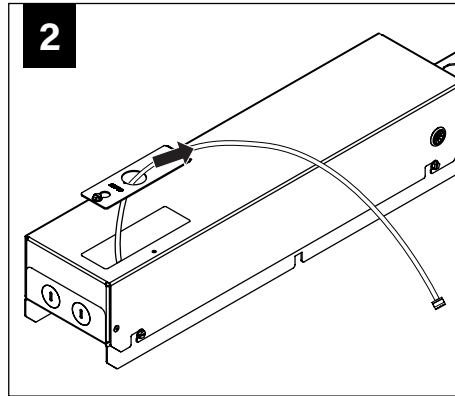
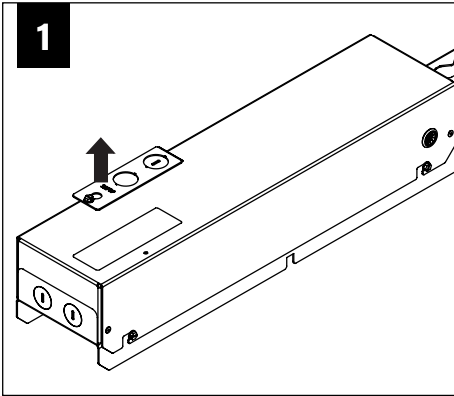
WATTSTOPPER



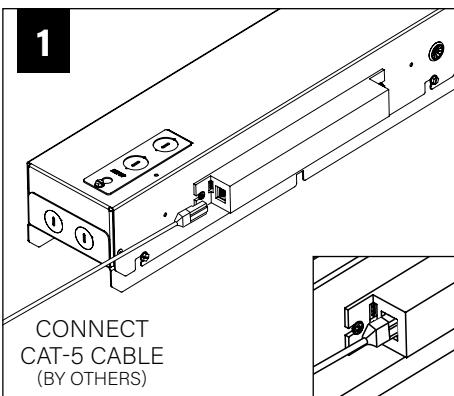
ENLIGHTED



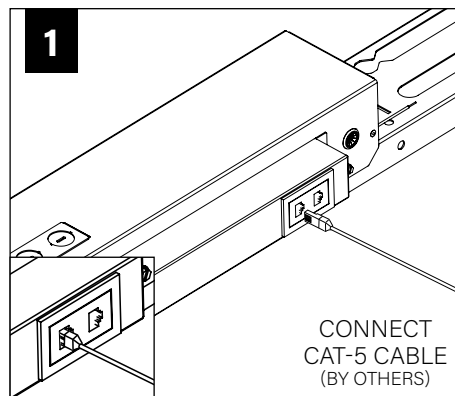
WAVELINX



ACUITY nLIGHT



WATTSTOPPER



HUBBELL NX

