

Luna[®] 2x2

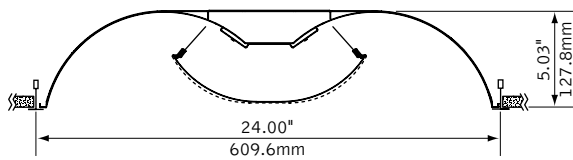
LED



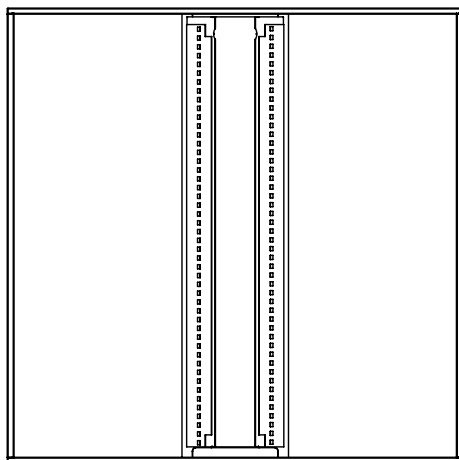
FOCAL POINT[®]



DIMENSIONAL DATA



Overall height of ST luminaire is 5.5"



2 LED boards

FEATURES

Architectural recessed LED luminaire with perforated center basket.

Classic style updated with the latest technology.

Reflector and end caps form seamless one-piece housing.

High reflectance, low gloss Matte White finish controls glare.

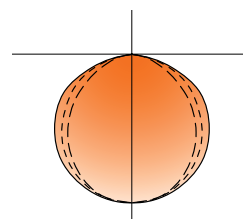
Comparable output to fluorescent versions with reduced wattage.

Luna[®] LED provides high angle uniform distribution ideal for comfortable general illumination.

Connected Solutions: Integrates with wired and wireless building lighting control systems.

PoE compatible: Integrates with Power over Ethernet lighting systems via standard, low-voltage wires.

PERFORMANCE



PRODUCT OVERVIEW

Lumen Output: 2000-4000lm

Wattage: 23-48W

LPW: 84-89

SDCM: 3

Delivered Lumens: 2500lm

Total System Watts: 28W

Photometric performance is measured in accordance with IESNA LM-79.
Visit focalpointlights.com for complete photometric data.

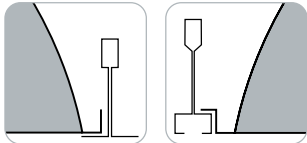
fixture:

project:

MOUNTING INFORMATION

grid

specify "G" for flat 9/16" and 15/16" tee or "ST" for 9/16" slot tee grid types.

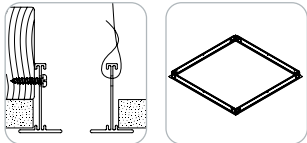


"G" flat tee "ST" slot tee

Overall height for ST luminaire is 5.50".

drywall frame kit

specify "DF" Drywall Frame Kit for drywall ceiling conditions.



Use tie-wire or screws to secure frame kit.

cut out dimensions:
2': Min: 24.25"
Max: 24.563"

SPECIFICATIONS

LED System

Proprietary linear LED module incorporates premium LEDs on a robust platform to achieve excellent thermal management. LEDs are placed to promote a uniform appearance. Available in 2700K, 3000K, 3500K or 4000K with CRI>80 or CRI>90. 3500K and 4000K with CRI>90 have a cyanosis observation index (COI) of 3.3 or less. 0-10V dimming driver standard. LED modules and drivers are replaceable.

Construction

One-piece 20 Ga. steel reflector and housing. 20 Ga. steel ends form finished housing. LEDs are shielded by detachable 22 Ga. steel perforated shield with acrylic lens insert. LED shield is secured by four spring-pins allowing shield to hinge down for maintenance. Top access 20 Ga. steel driver compartment. Weight: 29 lbs.

Optic

One-piece 20 Ga. steel reflectors finished in Matte Satin White powder coat.

Electrical

Standard 120-277V driver includes 0-10V analog dimming, dimming range 100% - 10% Power factor > .9. PoE compatible: Integrates with Power over Ethernet lighting systems via standard, low-voltage wires.

Emergency

Emergency battery output—10 watts for 90 minutes. High Output emergency battery—20 watts for 90 minutes (UNV only.) Emergency Circuit with Connected Solutions (DLM1, LMFS1, LMFS1D, NLT1, ENL1, CLM1, NXE1, WLXP) requires a UL924 compliant device, consult factory.

Labels

UL and cUL Listed. Suitable for Dry or Damp Locations, indoor use only.

Finish

Polyester powder coat applied over a multi-stage pre-treatment. Optional Anti-Microbial paint finish available.

Lumen Maintenance

Reported: L70 > 60,000 hours Calculated: L70 at > 124,000 hours
 L80 > 60,000 hours L80 at > 78,000 hours
 (Derived from EPA TM-21 calculator. Based on typical conditions, consult factory for additional data.)

Reliability

At Focal Point, our products are designed to stand the test of time. Each luminaire is engineered using superior components, manufactured with the utmost care and rigorously tested. Contact us for reliability data.

Lifetime and warranty

LED System rated for operation in ambient environments up to 25°C. 5-year limited warranty.

PERFORMANCE CHART

Delivered Lumens	Tested System Watts	LPW
2000 Lumens	23	89
2500 Lumens	28	88
3000 Lumens	34	87
3500 Lumens	41	85
4000 Lumens	48	84

Based on 3500K, 80 CRI. Lumen multipliers:
 Lumen output may vary +/- 5%. Actual wattage may vary +/- 5%.

Focal Point LLC reserves the right to change specifications for product improvement without notification.

ORDERING

Luminaire Series	FLUL	FLUL
Luna LED	FLUL	
Nominal Size		22
2' x 2'	22	
Shielding		PS
Perforated Shield	PS	
Lumen Output		
2000 Lumens	2000L	
2500 Lumens	2500L	
3000 Lumens	3000L	
3500 Lumens	3500L	
4000 Lumens (LDT & L11 only)	4000L	
Color Temperature		
2700K, 80+ CRI or 90+ CRI	27K or 927K	
3000K, 80+ CRI or 90+ CRI	30K or 930K	
3500K, 80+ CRI or 90+ CRI	35K or 935K	
4000K, 80+ CRI or 90+ CRI	40K or 940K	
Circuit		1C
Single Circuit	1C	
Voltage		
UNV 120/277 Volt	UNV	
Low Voltage	LV	
Control System & Dimming Level		
0-10V - 10% Dimming <small>(Not Right Light as standard, consult factory)</small>	LD1	
0-10V - 1% Dimming	L11	
Low Voltage, PoE compatible <small>(No driver. Not available with EM or EC. LV Voltage only.)</small>	LVN	
Lutron Hi-Lume EcoSystem (LDE1) - 1% Dimming	LH1	
Wattstopper DLM - 1% Dimming <small>(Not available with CP)</small>	DLM1	
Wattstopper Fixture Sensor Low Density - 1% Dimming	LMFS1	
Wattstopper Fixture Sensor High Density - 1% Dimming	LMFSD	
Acuity nLight - 1% Dimming <small>(Not available with CP)</small>	NLT1	
Enlighted Smart Sensor - 1% Dimming	ENL1	
Encelium CLM Connected Lighting Module - 1% Dimming	CLM1	
Current NX Enabled - 1% Dimming <small>(Not available with CP)</small>	NXE1	
WaveLinX Pro - 1% Dimming	WLXP	
Mounting		
24" Aircraft Cable	C24	
48" Aircraft Cable	C48	
96" Aircraft Cable	C96	
Drywall Frame Kit <small>(Not available with CLM1, DLM1, NLT1 or NXE1.) (Cut out dimensions: Min: 24.25"/Max: 24.563")</small>	F	
Grid	G	
Slot Tee	ST	
Surface Mount <small>(Not available with CLM1, DLM1, NLT1 or NXE1.)</small>	SM	
Factory Options		
Air Return <small>(Adds 0.875" to overall height.)</small>	AR	
Chicago Plenum <small>(Not available with flex whip)</small>	CP	
Emergency Battery <small>(Adds 3.25" to overall height.)</small>	EM	
High Output Emergency Battery <small>(Adds 3.25" to overall height. UNV only.)</small>	B20	
Positional Clips		
6' New York City Flex Whip (120V)	EQ	
6' New York City Flex Whip (277V)	FNY1	
	FNY2	
6' Flex Whip	FW	
Finish		
Matte Satin White	WH	
Matte Satin White Anti-Microbial	WHA	

QS 5/10 DAY Options in orange qualify for the Quickship program. 5-day up to 100 pieces, 10-day up to 300 pieces. Refer to Quickship Guide for complete details.

Focal Point provides flexibility in meeting the needs of each project by integrating with several building lighting control systems. A variety of sensors, drivers and other components can be specified that allow the luminaires to communicate with wired and wireless networks. All zoning can be digitally reconfigured through the application software. Daylight harvesting, occupancy sensing, integration with HVAC systems, and individual controls enable the monitoring and modulating of light levels and temperature in order to save energy, reduce costs and maximize occupants' comfort. All Connected Solutions luminaires require a compatible building control system.†

Connected Solution	Ordering Code	Model #**	Protocol	Compatible Networks*	Occupancy & Daylight	Temperature Reporting	Communication to Luminaire	Drivers
 legrand [®] WATTSTOPPER [®]	DLM1	LMFC-011	DLM	DLM	Enabled	No	Wired 	Advance by Signify, Optotronic by eldoLED
	LMFS1	LMFS-601 & LMFI-111	DLM Wireless	DLM	Enabled	No	Wireless	Advance by Signify Optotronic by eldoLED (Dexal)
LMFSD	LMFS-601							
 COOPER Lighting Solutions	WLXP	OEM-WAA	WaveLinx Wireless	WaveLinx Pro Trellix	Enabled	No	Wireless (WaveLinx Pro Wireless Area Controller)	Advance by Signify
 CRESTRON	L11	Specified Driver	0-10V	Crestron Züm Wireless & SpaceBuilder	Enabled	No	Wired	Advance by Signify
 ENCELIUM	CLM1	ZBHA-CLM-DIM-ENC	ZigBee	Encelium X Light Management System	Enabled	No	Wireless	Optotronic by eldoLED Advance by Signify
 Enlighted	ENL1	SU-5E-IOT	Enlighted RF	Enlighted	Integrated	Yes	Wireless	Advance by Signify
 LUTRON	LH1	LDE1	EcoSystem	Quantum, Energi Savr Node, Energi TriPak	Enabled	No	Wired	Lutron Hi-Lume
 nLIGHT	NLT1	nEPS-60-IO	nLight	nLight	Enabled	No	Wired 	eldoLED ECOdrive, eldoLED SOLOdrive
							Wired 	
 LIGHTING CONTROLS [®]	NXE1	NXFM-LV	NX	NX Distributed Intelligence	Enabled	No	Wired 	Optotronic by eldoLED

*Not all compatible networks may be listed. **For performance data and additional control system details please visit the connected solutions manufacturer websites. Primary drivers are listed in bold. To specify a particular driver please consult factory. †Controls systems supplied by others.