

ID+ 3.5" Pure Cylinder - Cord Suspension

FLCY3N-RD-7H - Shallow Canopy



FOCAL POINT®

BEFORE YOU BEGIN

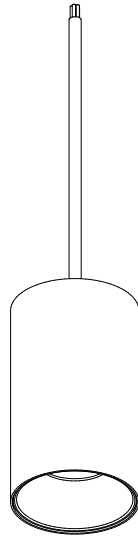
- Luminaires must be installed by a qualified electrician (check with local and national codes for proper installation).
- To prevent electrical shock, disconnect electrical supply before installation or servicing.
- Contractor is responsible for adequately reinforcing walls and/or ceilings to support fixture weight.
- Focal Point, LLC accepts no responsibility for inadequately reinforced walls and/or ceilings.
- The information contained in this drawing is the sole property of Focal Point, LLC. Any reproduction in part or whole without the written permission of Focal Point, LLC is prohibited.

INSTRUCTION KEY

- ATTENTION**
- SEE ADDITIONAL INSTRUCTIONS**
- POWER OFF**
- POWER ON**

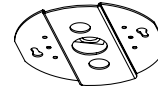
COMPONENT KEY

ID+ CYLINDER

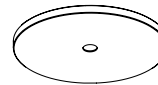


7" HOUSING HEIGHT

SHALLOW CANOPY

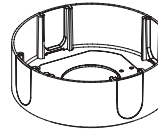


J-BOX MOUNTING BRACKET



SHALLOW CANOPY

DECORATIVE SHALLOW CANOPY



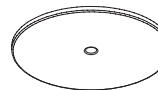
DECORATIVE J-BOX COVER



J-BOX MOUNTING BRACKET



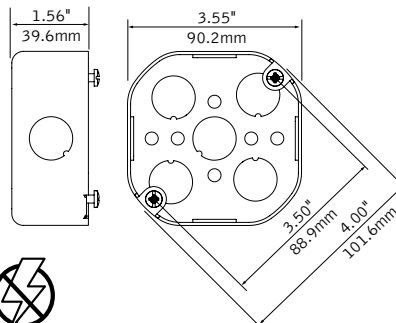
MOUNTING SCREWS #72023



SHALLOW CANOPY

4" OCTAGONAL J-BOX REQUIRED

J-BOX BY OTHERS

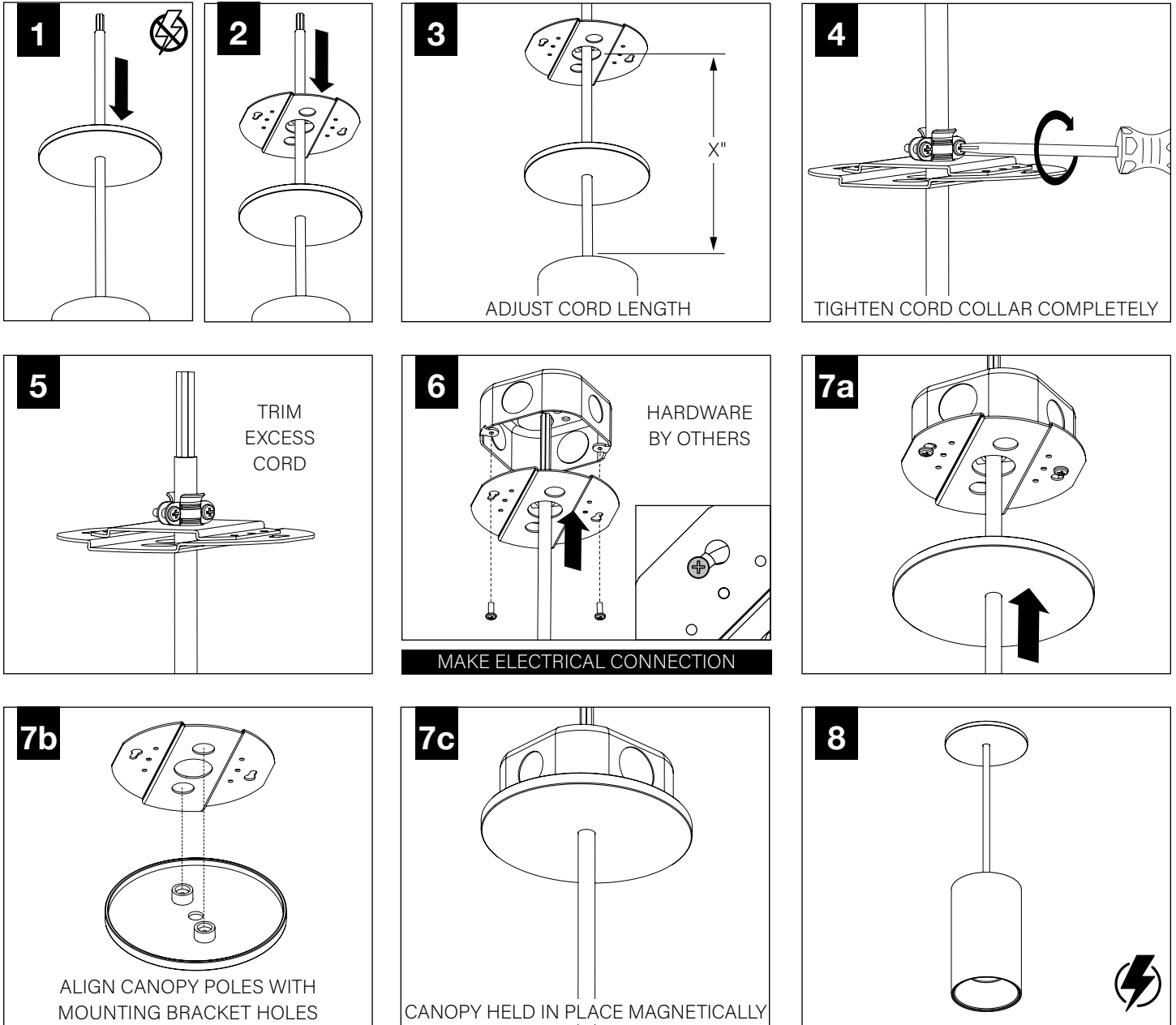


EMERGENCY

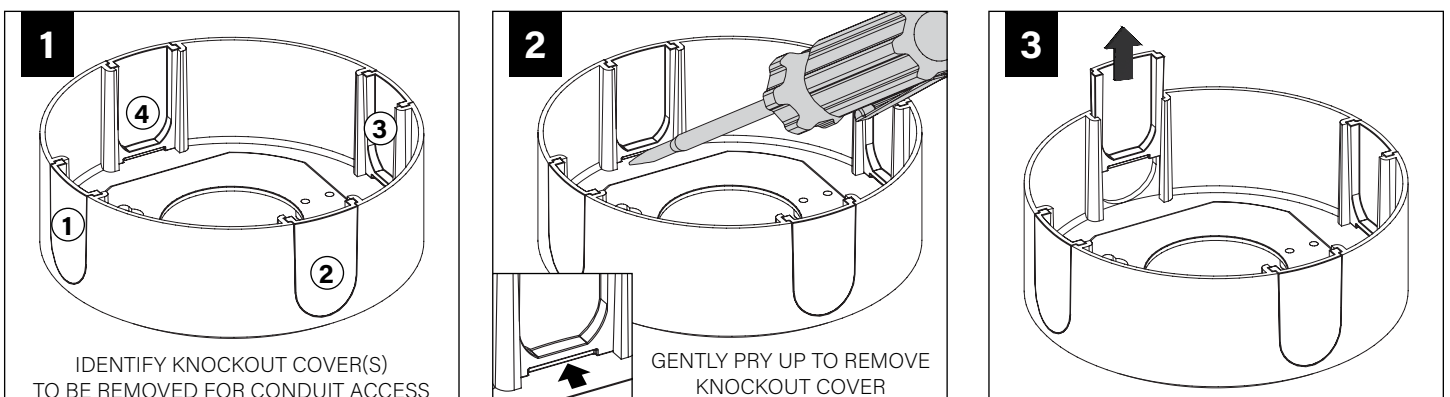


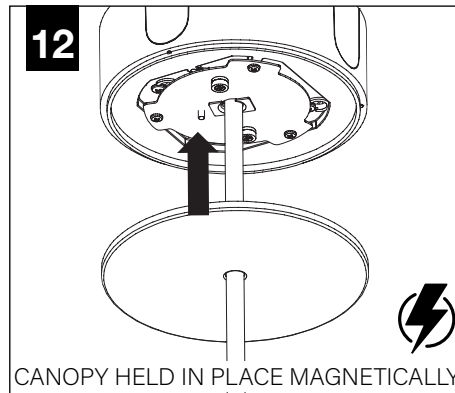
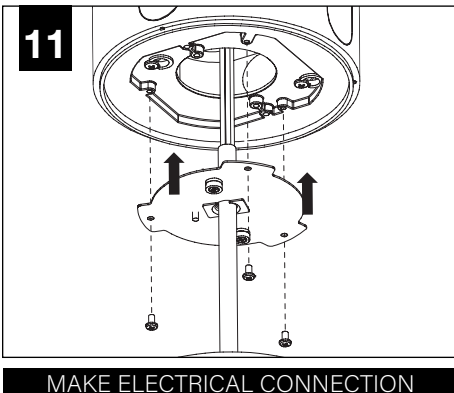
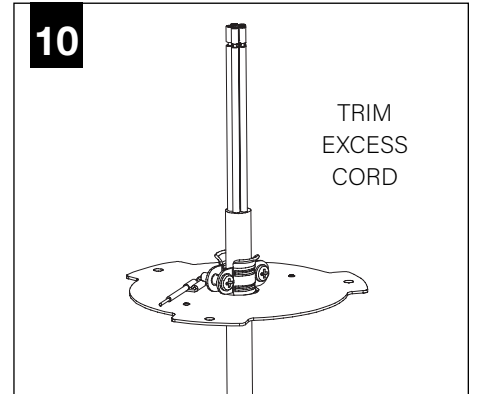
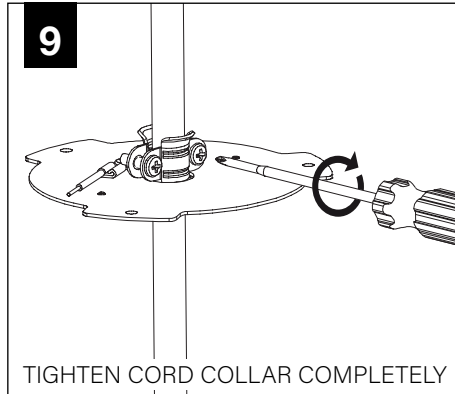
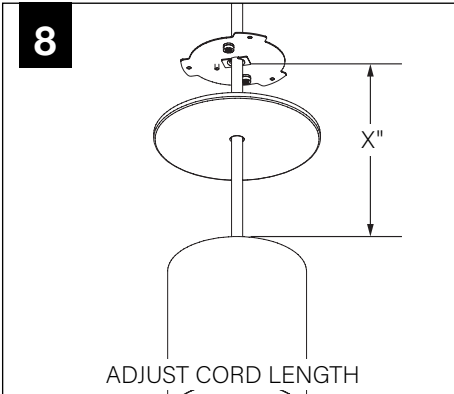
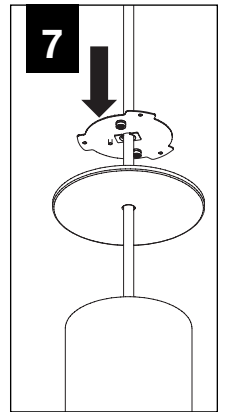
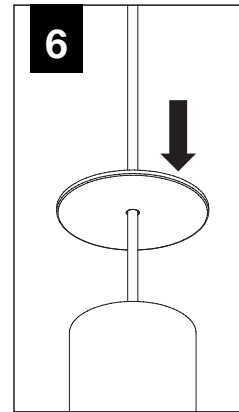
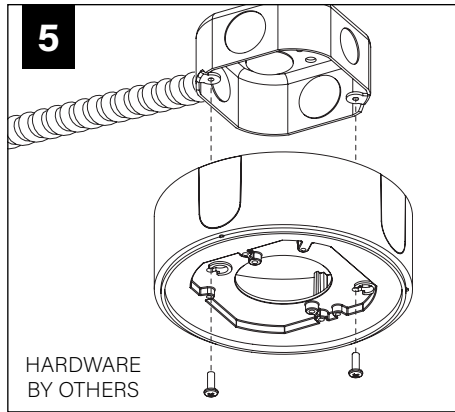
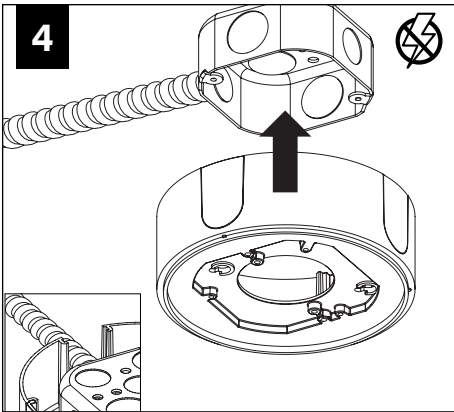
PRIOR TO LUMINAIRE INSTALLATION, SEE **PAGE 5** FOR EMERGENCY INSTALLATION INSTRUCTIONS.

SHALLOW CANOPY

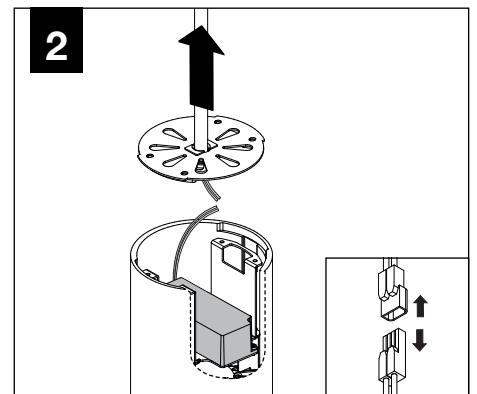
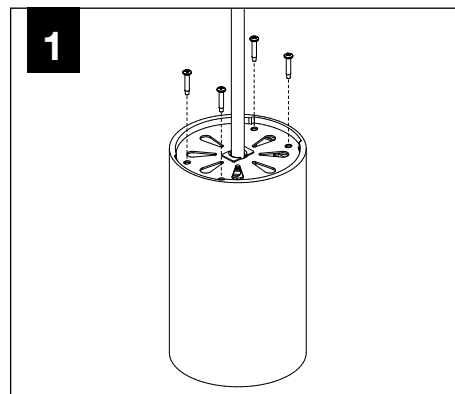
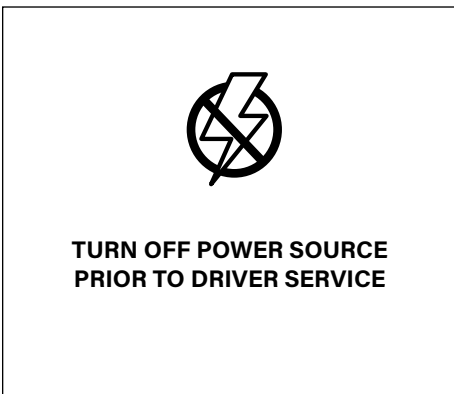


DECORATIVE SHALLOW CANOPY

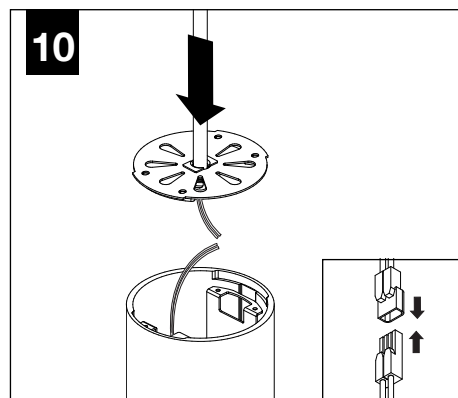
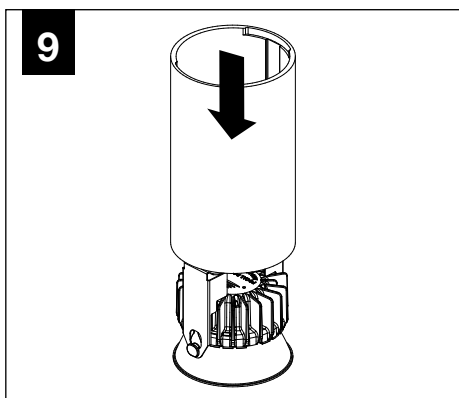
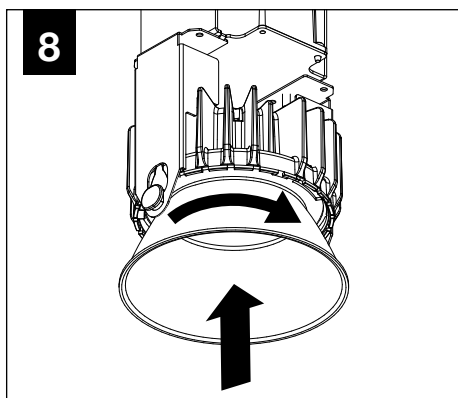
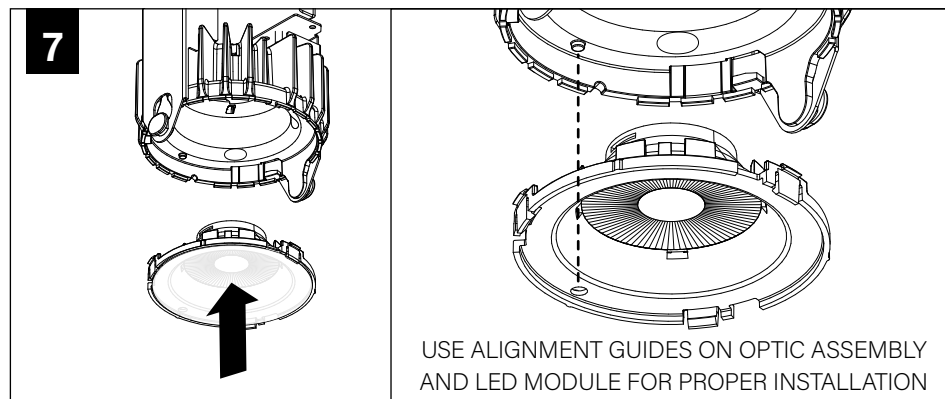
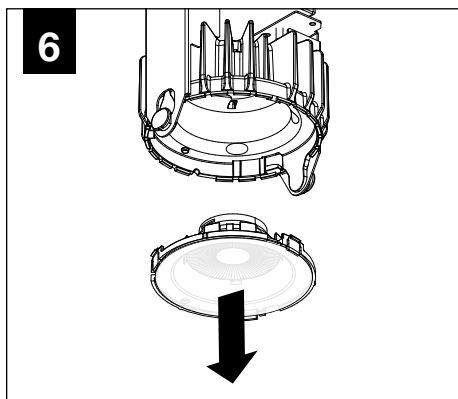
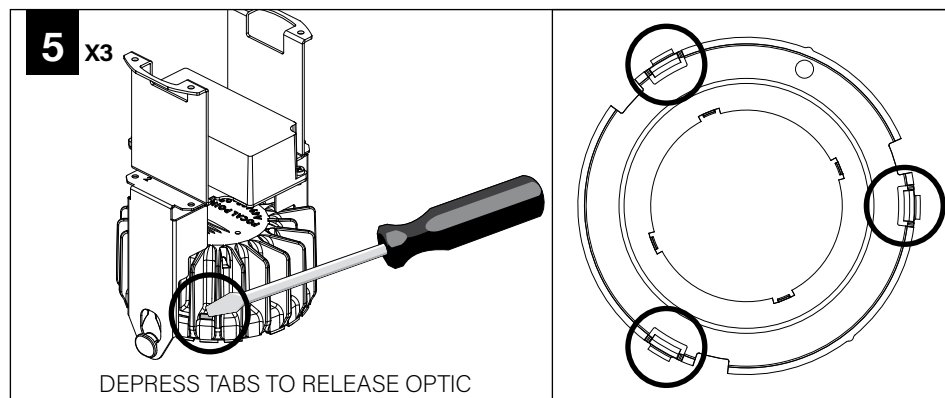
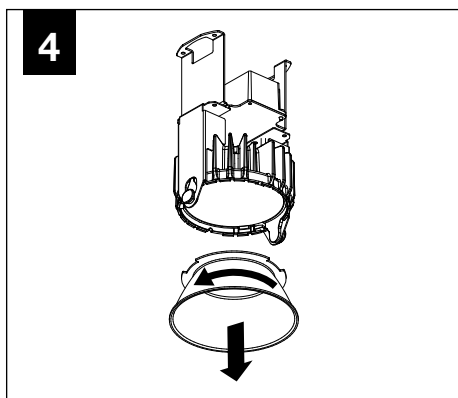
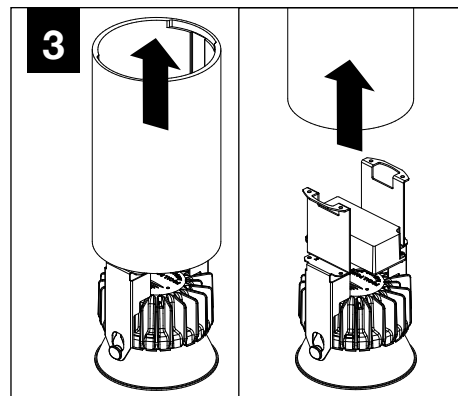
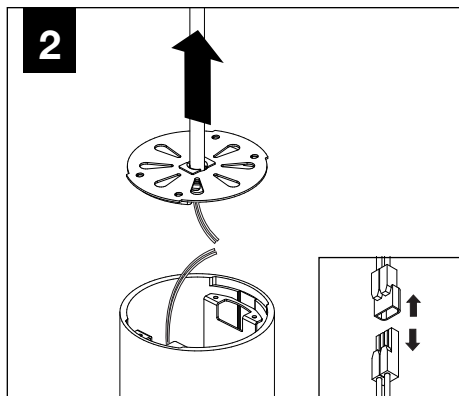
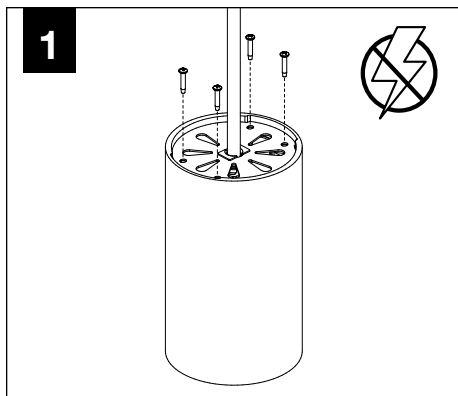


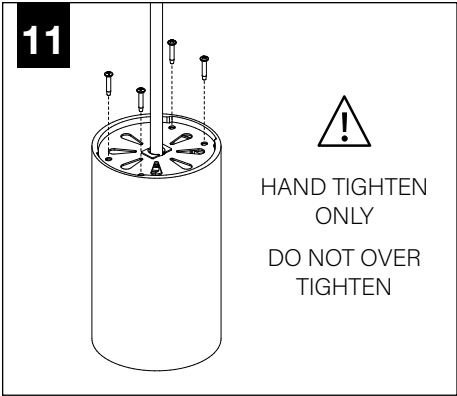


DRIVER SERVICE



OPTIC SERVICE





EMERGENCY

I

SEE BATTERY MANUFACTURER INSTRUCTIONS

EMERGENCY MAXIMUM MOUNTING HEIGHT:
CD & WH REFLECTORS - 17.1'
WD & BK REFLECTORS - 15.1'

1

HARDWARE BY OTHERS

SECURE TO STRUCTURE ABOVE

2

MAKE ELECTRICAL CONNECTION

3

4

I

PROCEED TO LUMINAIRE INSTALLATION