

ID+ 3.5" Pure Cylinder - Stem Mount

FLCY3N-RD-4H | FLCY3N-RD-7H- Mini Power Canopy



FOCAL POINT®

BEFORE YOU BEGIN

- Luminaires must be installed by a qualified electrician (check with local and national codes for proper installation).
- To prevent electrical shock, disconnect electrical supply before installation or servicing.
- Contractor is responsible for adequately reinforcing walls and/or ceilings to support fixture weight.
- Focal Point, LLC accepts no responsibility for inadequately reinforced walls and/or ceilings.
- The information contained in this drawing is the sole property of Focal Point, LLC. Any reproduction in part or whole without the written permission of Focal Point, LLC is prohibited.

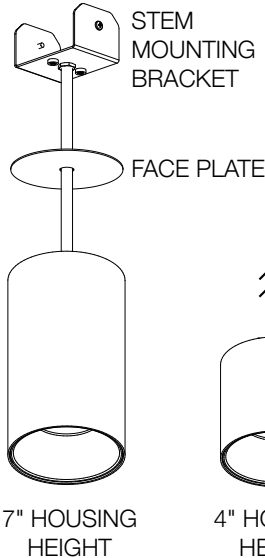
INSTRUCTION KEY

- ATTENTION
- SEE ADDITIONAL INSTRUCTIONS
- POWER OFF
- POWER ON

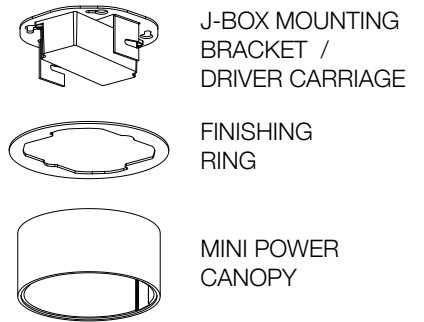
COMPONENT KEY

STEM MOUNT

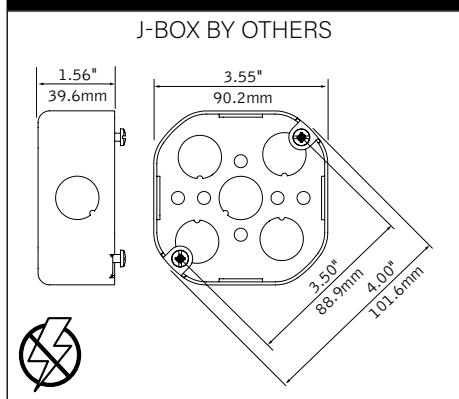
Shipped Assembled



MINI POWER CANOPY

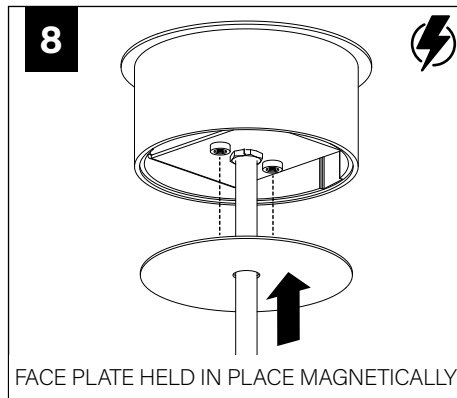
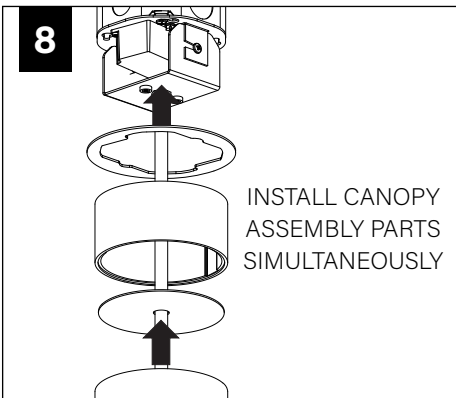
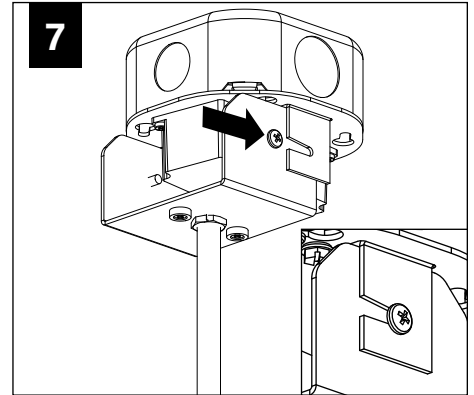
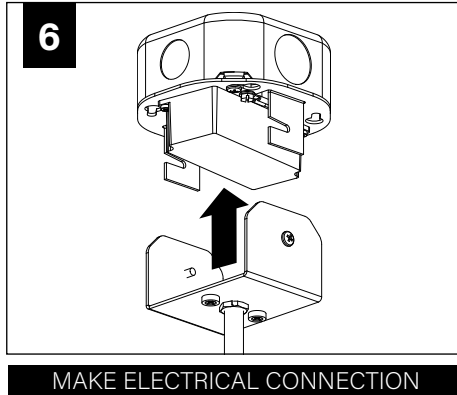
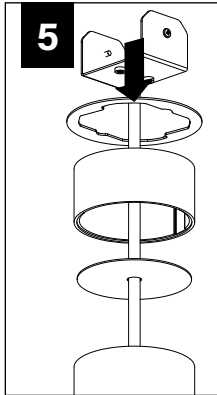
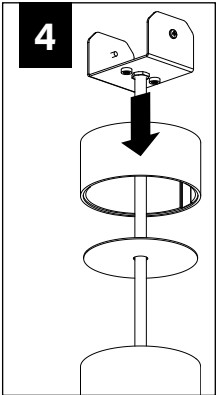
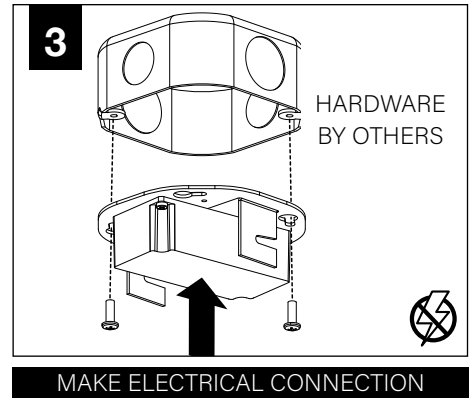
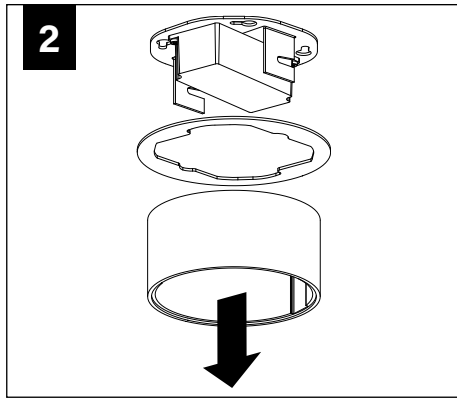
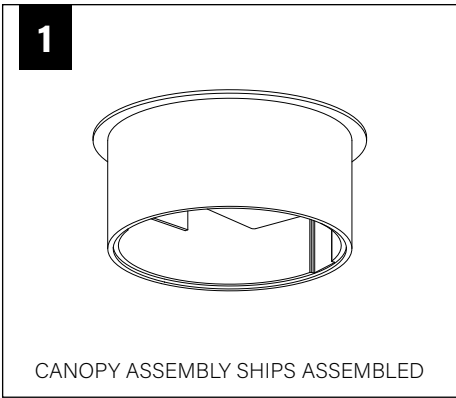


4" OCTAGONAL J-BOX REQUIRED

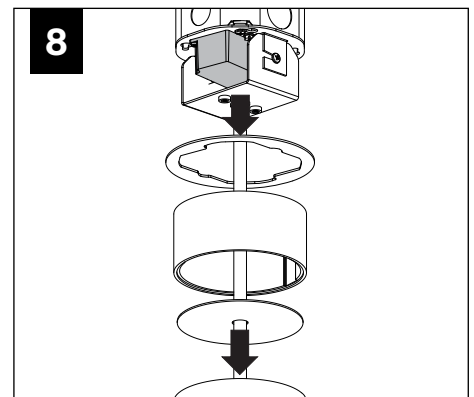
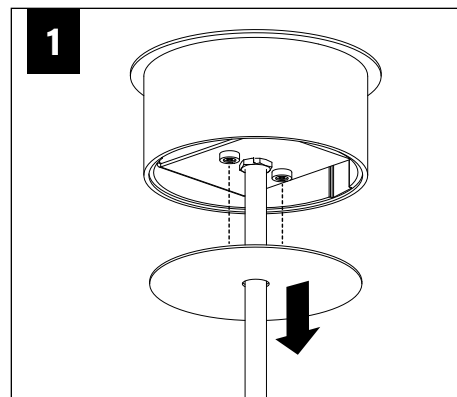


EMERGENCY

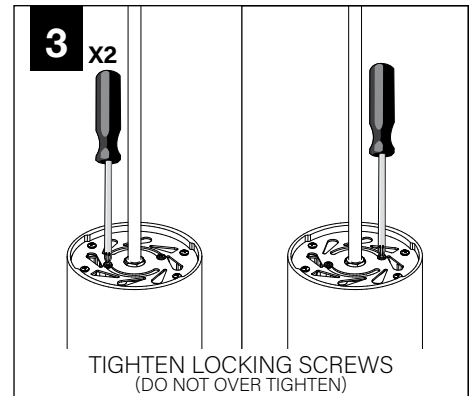
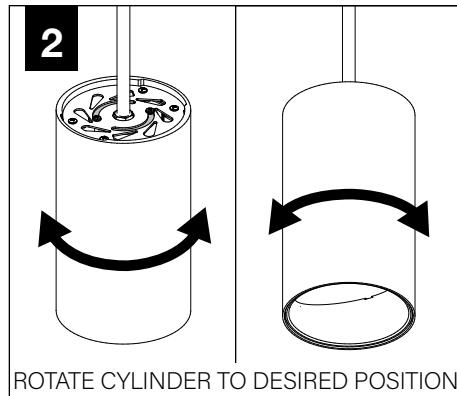
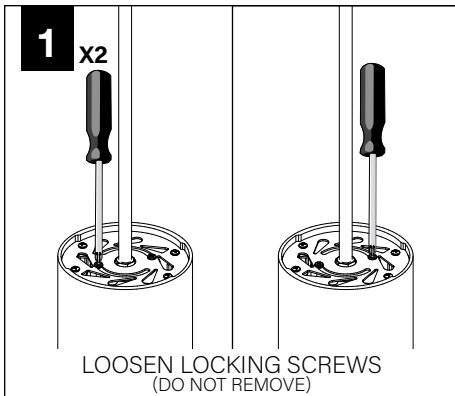
PRIOR TO LUMINAIRE INSTALLATION, SEE **PAGE 4** FOR EMERGENCY INSTALLATION INSTRUCTIONS.



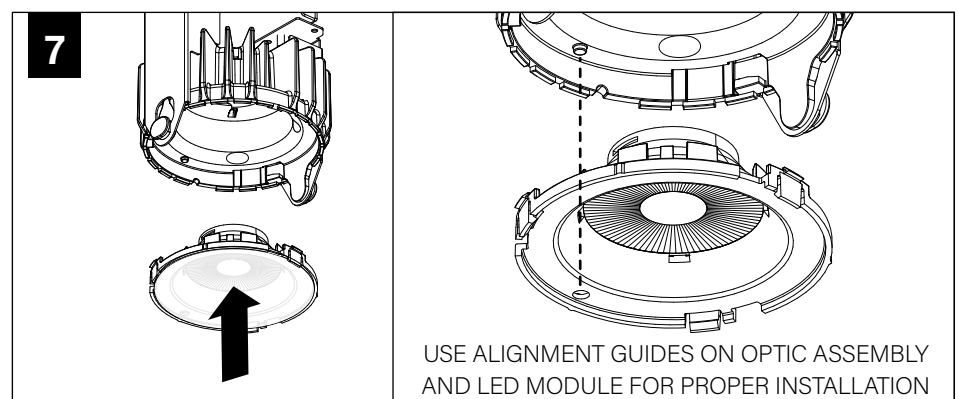
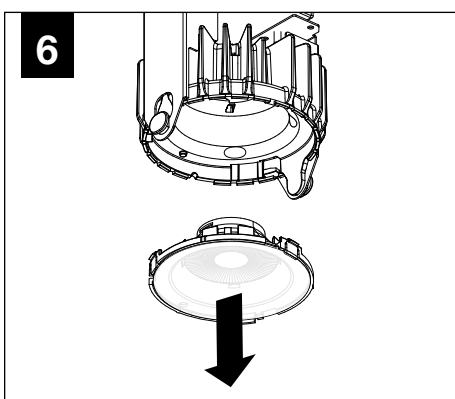
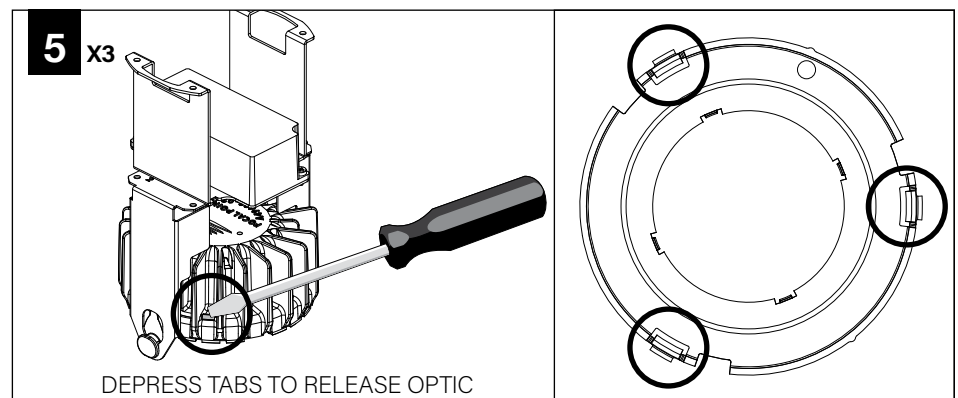
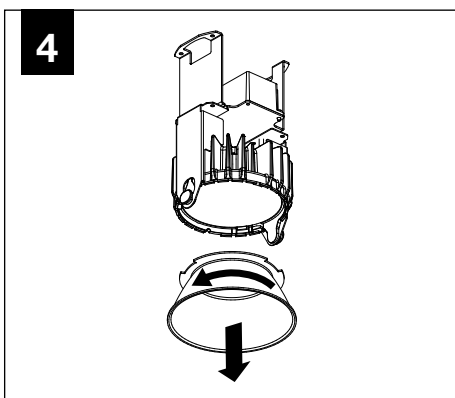
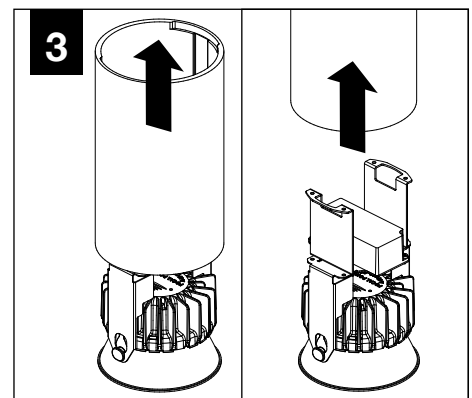
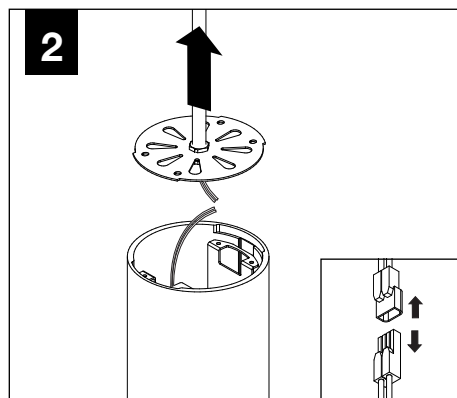
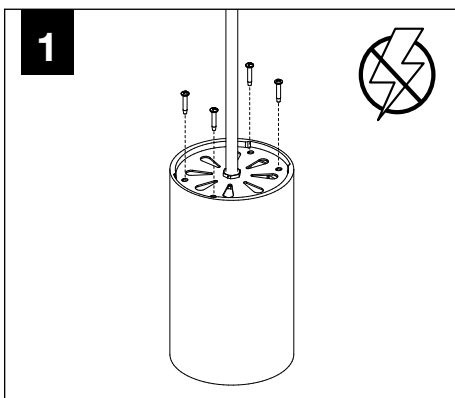
DRIVER SERVICE

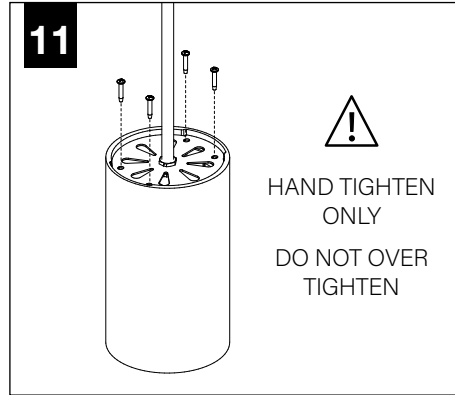
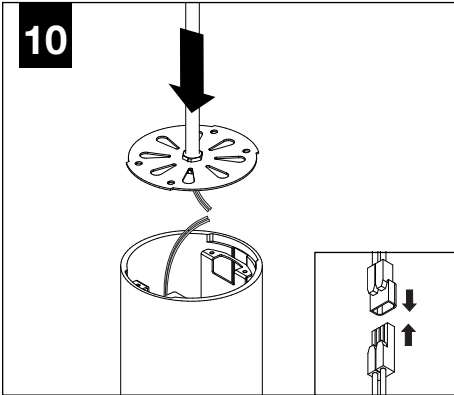
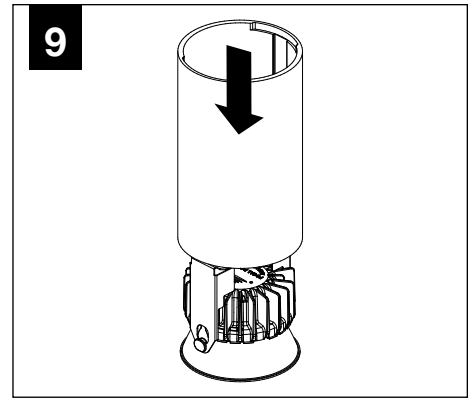
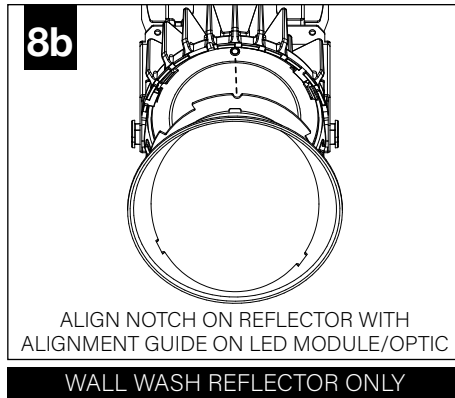
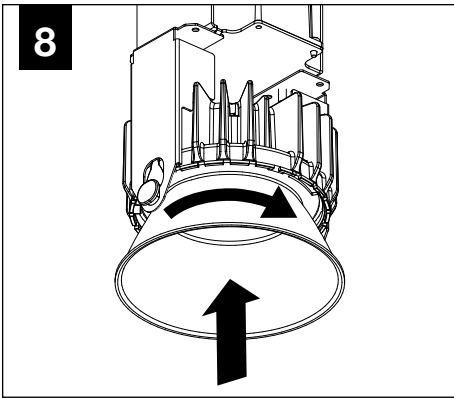


WALL WASH AIMING



OPTIC SERVICE



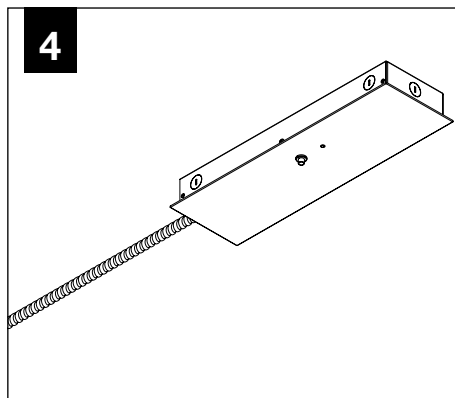
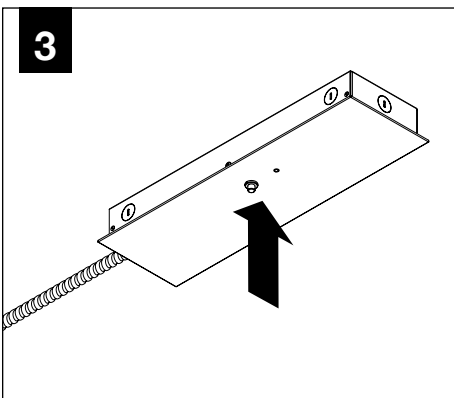
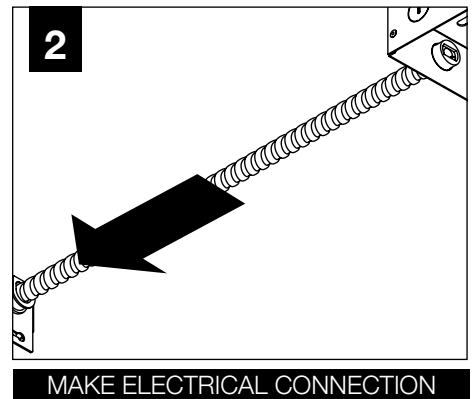
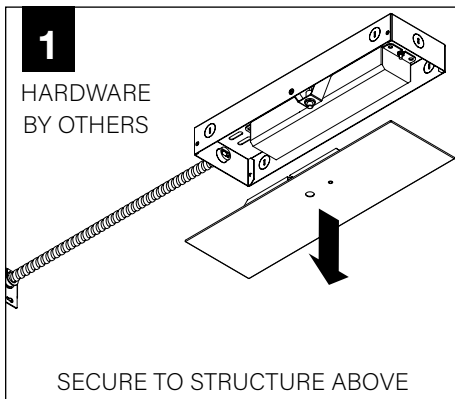


EMERGENCY

I

SEE BATTERY MANUFACTURER
INSTRUCTIONS

EMERGENCY MAXIMUM MOUNTING HEIGHT:
CD & WH REFLECTORS - 17.1'
WD & BK REFLECTORS - 15.1'



I

PROCEED TO
LUMINAIRE INSTALLATION