

ID+ 3.5" Cylinder

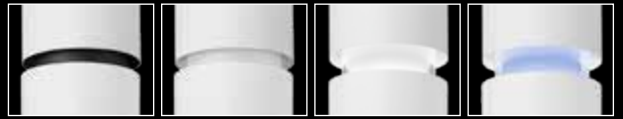
LED SURFACE MOUNT WITH DECORATIVE REVEAL



FOCAL POINT®



The Naturals collection - White/Chestnut shown

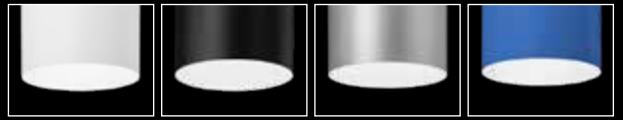


Black Non-Glow

White Non-Glow

White Glow

Custom RAL Glow

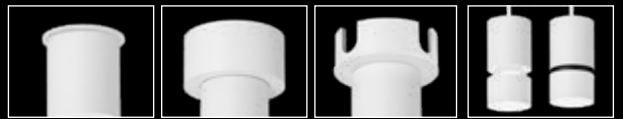


White

Black

Palladium Silver

Custom RAL



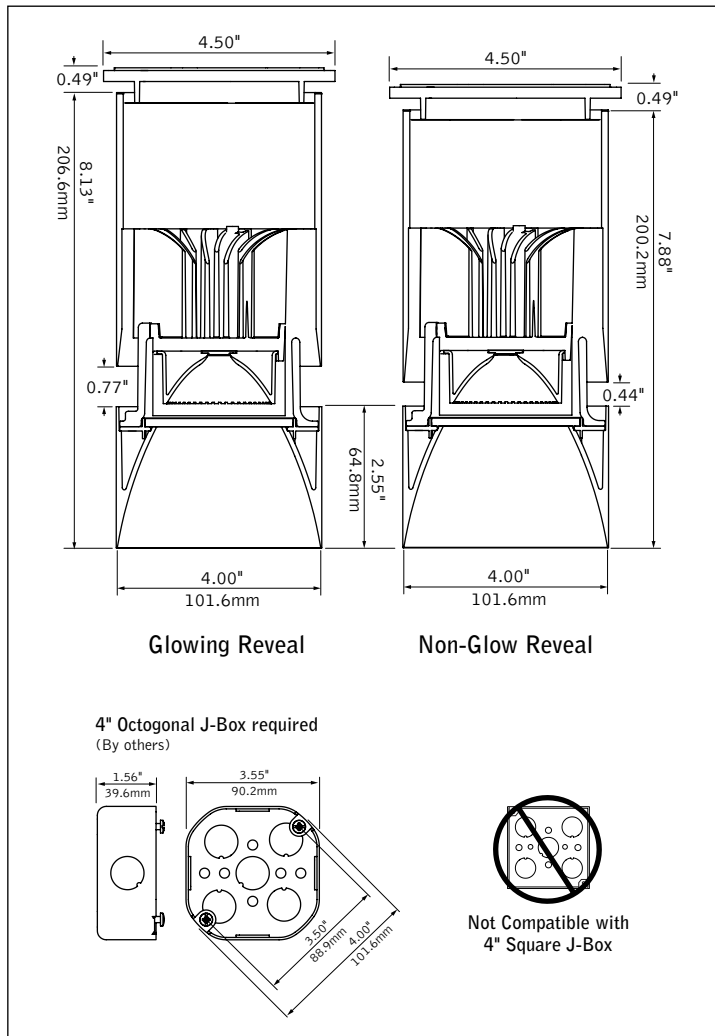
Shallow Canopy

Power Canopy

Decorative Canopies

Pendant Mount Companions

DIMENSIONAL DATA (continued on page 3 & 4)



FEATURES

3.5" cylinder pendant with decorative reveal; glow or non-glow options.

One-piece die-cast reflector with a knife edge for a modern aesthetic.

50° cut-off for brightness control and visual comfort.

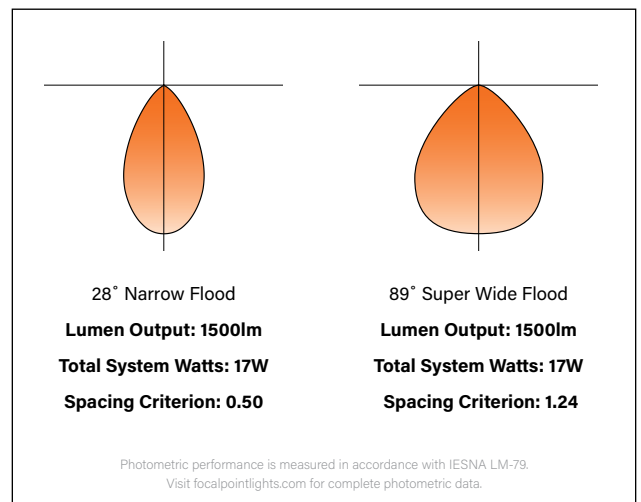
Multiple canopy options enable various driver offerings and conduit installations while maintaining premier aesthetics.

Available with The Naturals, a series of finishes that exude biophilic beauty.

Warm Dim: Lighting that enhances spaces with a warm glow, reminiscent of incandescent or halogen light sources.

PoE compatible: Integrates with Power over Ethernet lighting systems via standard, low-voltage wires.

PERFORMANCE



fixture:

project:

SPECIFICATIONS

LED System

Proprietary LED module with single light emitting source. May be specified in 2700K, 3000K, 3500K or 4000K in CRI>80 or CRI>90. 3500K and 4000K with CRI>90 have a cyanosis observation index (COI) of 3.3 or less. Color accuracy within 2 SDCM. Aluminum heat sink provides appropriate thermal management.

Construction

Upper housing is extruded aluminum. Lower reflector is die-cast aluminum. Twist & lock construction leaves no visible fasteners within the knife edge trim. Fixture will not exceed 5 lb.

Optics

Beam spreads achieved with optics that may be easily changed in field.

Cut-off degree	Distribution Beam Spread Spacing Criteria				
	NFL	FL1	FL2	WFL	SWFL
50°	28° 0.50	34° 0.59	45° 0.75	57° 0.80	—
80°	—	—	—	—	89° 1.24

Electrical

Choice of constant current dimming drivers. Power factor > .9 typical. PoE compatible: Integrates with Power over Ethernet lighting systems via standard, low-voltage wires. L11 & LFP with Shallow Canopy, Integral Driver not Right Light as standard, consult factory.

Emergency

Emergency output —7W for 90 minutes. Maximum mounting height: 16.98 ft J-box cannot be recessed above the ceiling with Emergency Battery.

Labels

UL and cUL listed. Suitable for Dry or Damp Locations, indoor use only. Shallow Canopy with Integral Driver, Wet Location standard, indoor use only.

Finish

Polyester powder coat applied over a multi-stage pre-treatment. The Naturals: 100% low VOC vinyl.

Lumen Maintenance

Reported: L70 > 60,000 hours
 L80 > 60,000 hours
 Calculated: L70 at > 194,000 hours
 L80 at > 120,000 hours
 (Derived from EPA TM-21 calculator. Based on typical conditions, consult factory for additional data.)

Reliability

At Focal Point, our products are designed to stand the test of time. Each luminaire is engineered using superior components, manufactured with the utmost care and rigorously tested. Contact us for reliability data.

Warranty

LED system rated for operation in ambient environments up to 25°C. 5 year limited warranty.

PERFORMANCE TABLE

Lumen Output	Delivered Lumens	System Watts	LPW
700L	736	8	96
1000L	1082	12	94
1500L	1582	17	92
1500L	1145	23	49
1700L	1743	19	91
2000L	2057	24	86

Glowing Reveal, 3500K, 80CRI, Clear Diffuse, Narrow Flood Distribution. Warm Dim based on 3000 - 1800K, 90 CRI. Lumen output may vary +/- 5%. Actual wattage may vary +/- 5%.

Options in orange qualify for the Quickship program. 10-day up to 50 pieces. Refer to Quickship Guide for complete details.

Focal Point LLC reserves the right to change specifications for product improvement without notification.

ORDERING

Luminaire Series	FLCY3
ID+ 3.5" Round Cylinder	FLCY3
Trim Type	RD
Round	RD
Decorative Reveal	
White Non-Glow Reveal	WHR
Black Non-Glow Reveal	BKR
White Glowing Reveal	WHG
Custom Color Glowing Reveal ¹	RAL_ _ _ _
Lumen Output	
700 Lumens	700L
1000 Lumens	1000L
1500 Lumens	1500L
1700 Lumens	1700L
2000 Lumens (PC & DPC only)	2000L
Color Temperature	
2700K, 80+ CRI or 90+ CRI	27K or 927K
3000K, 80+ CRI or 90+ CRI	30K or 930K
3500K, 80+ CRI or 90+ CRI	35K or 935K
4000K, 80+ CRI or 90+ CRI	40K or 940K
Warm Dim: 2700-1800K, 90+ CRI	92718W
Warm Dim: 3000-1800K, 90+ CRI	93018W
<small>(Warm Dim: 1500L only. EM not available PC & DPC only)</small>	
Circuit	1C
Single Circuit	1C
Voltage	
120/277 UNV	UNV
120 Volt	120
277 Volt	277
Low Voltage	LV
Canopy Configuration	
<small>(BK and WH finish by default, see finishes page for details. Optional Naturals finishes may be specified for Shallow Canopy (SC) and Power Canopy (PC) by adding the finish color to the canopy code. For example: Shallow Canopy in Light Oak = SCLOK.)</small>	
Shallow Canopy, Integral Driver [*]	SC
Shallow Canopy with decorative [*] J-box cover, Integral Driver	DSC
Power Canopy	PC
Power Canopy with decorative J-box cover	DPC
Control System & Dimming Level	
0-10V - 0% Dimming	LZ1
0-10V - 1% Dimming	L11
Low Voltage, PoE compatible <small>(No driver. Not available with EMR, SC or DSC with LV Voltage only)</small>	LVN
Phase Dimming <small>(SC with 120V only. Consult factory for recommended dimmers.)</small>	LFP
Lutron Hi-Lume EcoSystem (LDE1) - 1% Dimming	LH1
DALI - 0% Dimming	DZ1
DALI - 1% Dimming	D11
Mounting	SM
Surface Mount	SM
Optic	
50° Cut-off Cone <small>(Not available with SWFL distribution)</small>	DNT
50° Cut-off Cone with Solite Lens <small>(NFL distribution only)</small>	DNTS
80° Cut-off Cone <small>(SWFL distribution only)</small>	DSS
Distribution	
Narrow Flood	NFL
Flood 1	FL1
Flood 2	FL2
Wide Flood	WFL
Super Wide Flood	SWFL
Factory Options	
Emergency Battery	EMR
<small>(J-box cannot be recessed above the ceiling. Remote test switch.)</small>	
Reflector Color	CD
Clear Diffuse	CD
Luminaire Finish	
Upper Housing Finish	
Lower Housing Finish	
Specify an upper and lower housing finish. See finishes page for The Naturals options and standard color combinations for cylinder, cord/stem, and canopy.	Black BK White WH Palladium Silver PS Custom Color ¹ RAL_ _ _ _
<small>* (L11, LVN & LFP only) ¹ (Specify your RAL code. Extended lead time. Consult factory.)</small>	

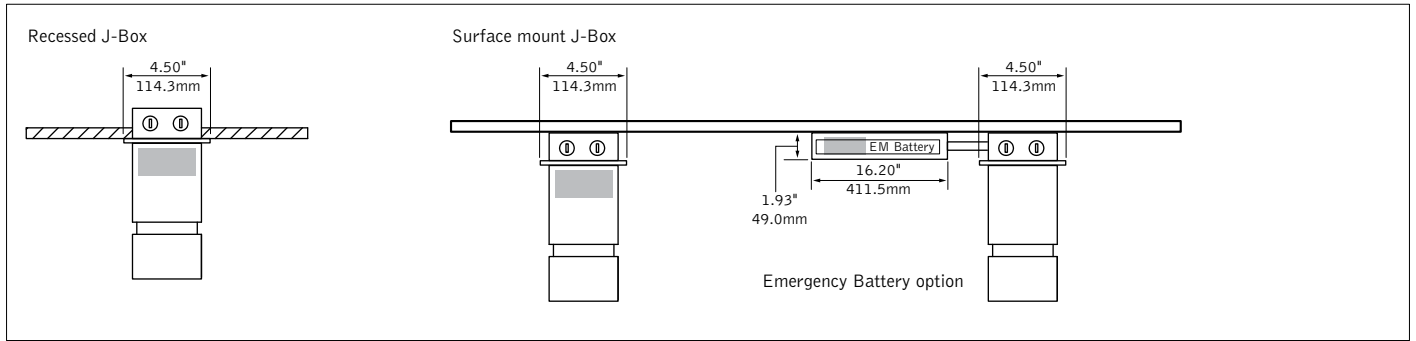
Specify an upper and lower housing finish. See finishes page for The Naturals options and standard color combinations for cylinder, cord/stem, and canopy.

(Specify your RAL code. Extended lead time. Consult factory.)

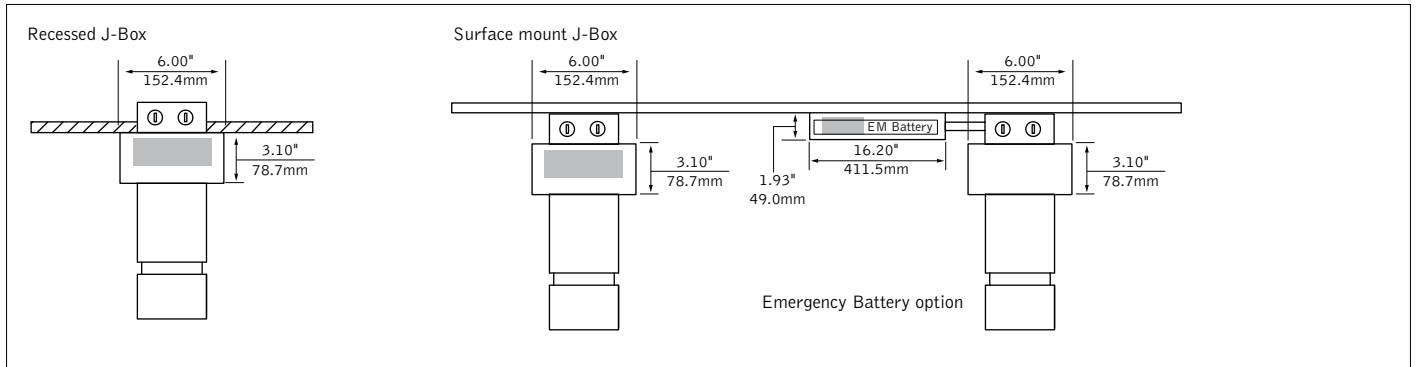
DIMENSIONAL DATA CONTINUED

SC - Shallow Canopy, Integral Driver

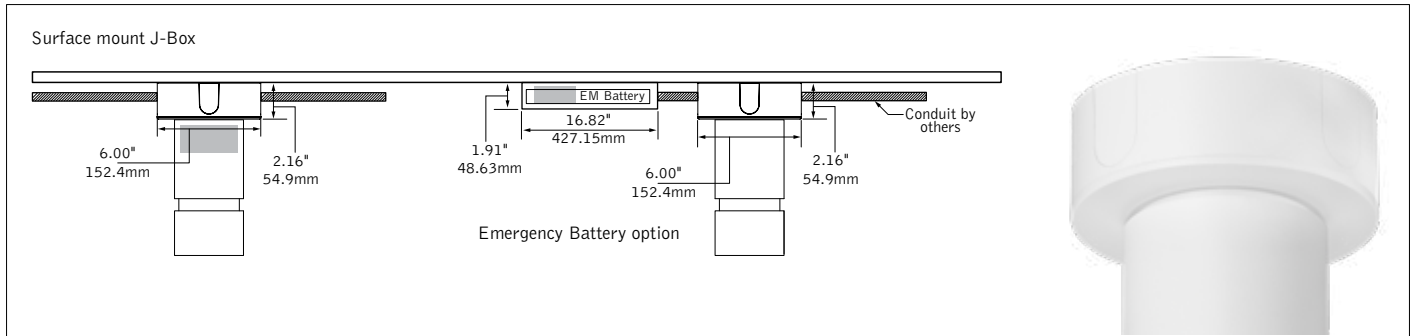
■ Indicates Driver Location



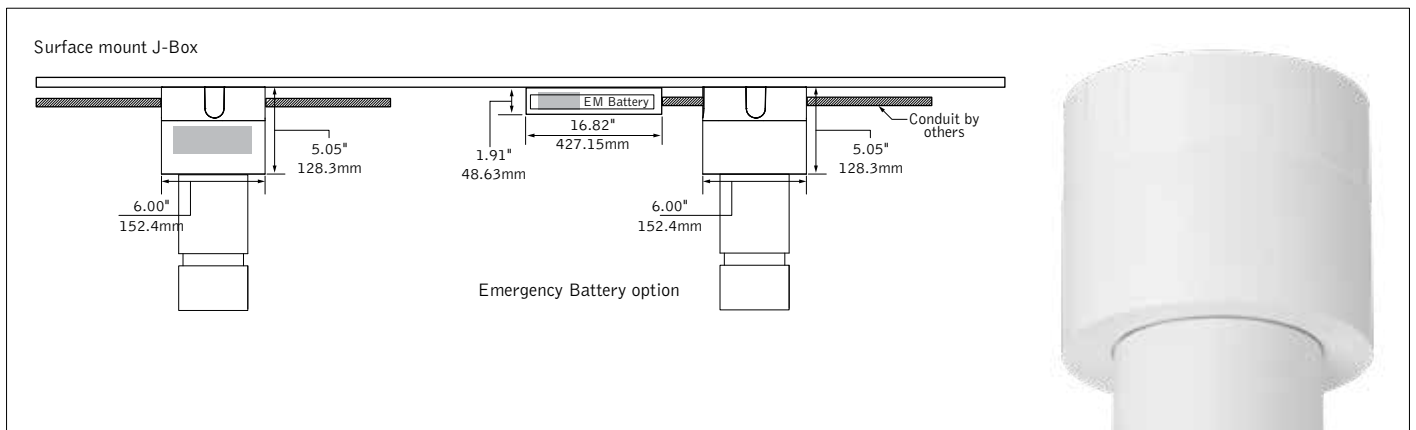
PC - Power Canopy



DSC - Shallow Canopy with decorative J-box cover, Integral Driver



DPC - Power Canopy with decorative J-box cover



3.5" CYLINDER LUMEN MULTIPLIER TABLE

Color Temperature & CRI

Trim Type	Optic	Color Temperature	Multiplier
Round [RD]	ALL	2700K, 80+ CRI [27K]	0.93
		2700K, 90+ CRI [927K]	0.78
		3000K, 80+ CRI [30K]	0.97
		3000K, 90+ CRI [930K]	0.81
		3500K, 80+ CRI [35K]	1.00
		3500K, 90+ CRI [935K]	0.83
		4000K, 80+ CRI [40K]	1.01
		4000K, 90+ CRI [940K]	0.86
		2700-1800K, 90+ CRI [92718W]	0.76
3000-1800K, 90+ CRI [93018W]	0.72		

Optic & Distribution

Trim Type	Optic	Distribution	Multiplier
Round [RD]	Tall Cone, 50° cut-off [DNT]	Narrow Flood (28°) [NFL]	1.00
		Flood 1 (34°) [FL1]	0.89
		Flood 2 (45°) [FL2]	0.75
		Wide Flood (57°) [WFL]	0.75
	Tall Cone, 50° cut-off with Solite Lens [DNLS]	Narrow Flood (28°) [NFL]	0.97
	Super Short Cone, 80° cut-off [DSS]	Super Wide Flood (89°) [SWFL]	0.74

Multiplier tables are provided to aid with estimation of lumen levels across options. Apply multipliers against ordered Lumen Output to estimate Delivered Lumens. Refer to IES files for most accurate photometric information.

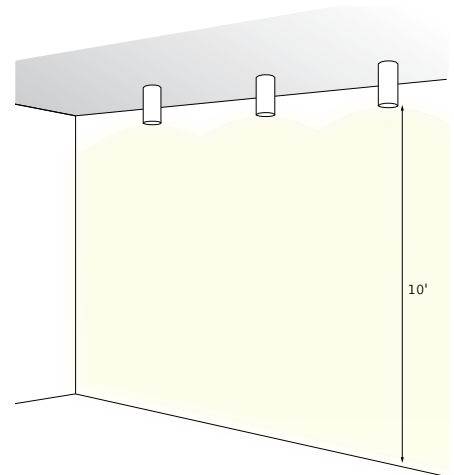
How To Use Lumen Multipliers

Formula: (Lumen Output Value) x (Color Temperature & CRI) x (Optic & Distribution)

Example: FLCY3-RD-1000L-935K-DNT-FL1
 (1000) x (0.83) x (0.87) ≈ 722 lm (estimated delivered lumens)

NON-SCALLOPING SUPER WIDE FLOOD DESIGN GUIDE - 1500 LUMEN EXAMPLE

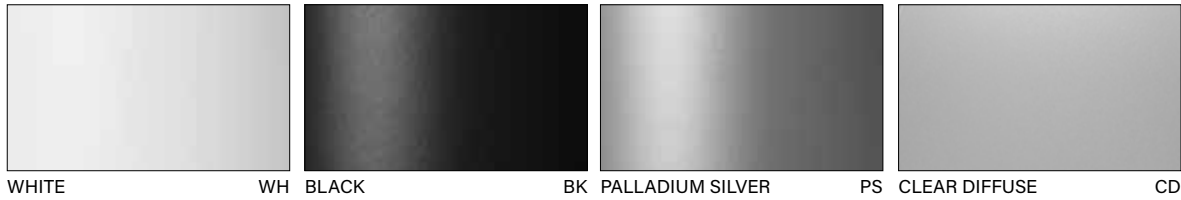
Distance from bottom of fixture	Footcandles						
	Fixtures 3' from Wall		Fixtures 3.5' from Wall		Fixtures 4' from Wall		
	3' OC	3.5' OC	3' OC	3.5' OC	3' OC	3.5' OC	
1.0'	3"	2 2 2	2 2 2	2 2 2	2 2 2	2 2 2	1 1 1
	6"	2 2 2	2 2 2	2 2 2	2 2 2	2 2 2	2 2 2
	9"	3 3 3	3 3 3	3 3 3	2 2 2	2 2 2	2 2 2
	12"	3 3 3	3 3 3	3 3 3	2 2 2	2 2 2	2 2 2
2'	8 8 8	7 7 7	6 6 6	5 5 5	5 5 5	4 4 4	
3'	15 15 15	13 13 13	11 11 11	10 10 10	8 8 8	7 7 7	
4'	19 19 19	16 16 16	15 15 15	13 13 13	12 12 12	11 11 11	
5'	19 19 19	16 16 16	17 17 17	15 15 15	15 15 15	13 13 13	
6'	17 17 17	14 14 14	16 16 16	14 14 14	15 15 15	13 13 13	
7'	15 15 15	13 13 13	15 15 15	13 13 13	14 14 14	12 12 12	
8'	13 13 13	11 11 11	13 13 13	11 11 11	13 13 13	11 11 11	
9'	11 11 11	9 9 9	11 11 11	10 10 10	12 12 12	10 10 10	
10'	9 9 9	8 8 8	10 10 10	8 8 8	10 10 10	9 9 9	



Finishes



STANDARD FINISHES



WHITE WH BLACK BK PALLADIUM SILVER PS CLEAR DIFFUSE CD

THE NATURALS (25% SCALE)



LIGHT OAK LOK GRAY ELM GRE CHESTNUT CHT WALNUT WLT WOVEN LINEN WLN

STANDARD COLOR COMBINATIONS*

Upper Housing Finish	Lower Housing Finish	Cord/Stem/Canopy Color	Upper Housing Finish	Lower Housing Finish	Cord/Stem/Canopy Color
Black (BK)	Black (BK)	Black	Walnut (WLT)	Walnut (WLT)	Black
	Light Oak (LOK)			Black (BK)	
	Grey Elm (GRE)			Palladium Silver (PS)	
	Chestnut (CHT)			White (WH)	
	Walnut (WLT)		Grey Elm (GRE)	White	
	Woven Linen (WLN)		White (WH)		
	Palladium Silver (PS)				
White (WH)	White (WH)	White	Light Oak (LOK)	Light Oak (LOK)	White
	Light Oak (LOK)			White (WH)	
	Grey Elm (GRE)			Palladium Silver (PS)	
	Chestnut (CHT)		Black (BK)	Black	
	Walnut (WLT)		Black (BK)	Black	
	Woven Linen (WLN)		Black (BK)		
	Black (BK)				
Palladium Silver (PS)	Palladium Silver (PS)	Black	Chestnut (CHT)	Chestnut (CHT)	White
	Walnut (WLT)			White (WH)	
	Light Oak (LOK)			Palladium Silver (PS)	
	Grey Elm (GRE)	Black (BK)	Black		
	Chestnut (CHT)	White (WH)	White		
	Woven Linen (WLN)	White (WH)			
	Palladium Silver (PS)				
Custom RAL color	Custom RAL color	White	Woven Linen (WLN)	Woven Linen (WLN)	White
				White (WH)	
				Palladium Silver (PS)	
	Black (BK)	Black			

*The Naturals finishes may be specified for Shallow Canopy (SC) and Power Canopy (PC) by adding the finish color to the canopy code. For example: Shallow Canopy in Light Oak = SCLOK.)