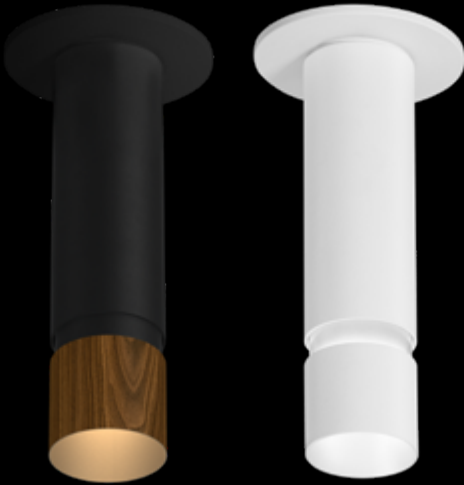


ID+ 2" Cylinder

LED SURFACE MOUNT WITH DECORATIVE REVEAL



FOCAL POINT®



The Naturals collection - Black/Walnut shown



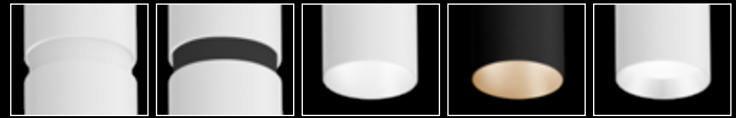
White Glow

Black Glow

Clear Diffuse Glow

Warm Diffuse Glow

Custom RAL Glow



White Non-Glow

Black Non-Glow

Clear Diffuse Reflector

Warm Diffuse Reflector

Super Short Cone



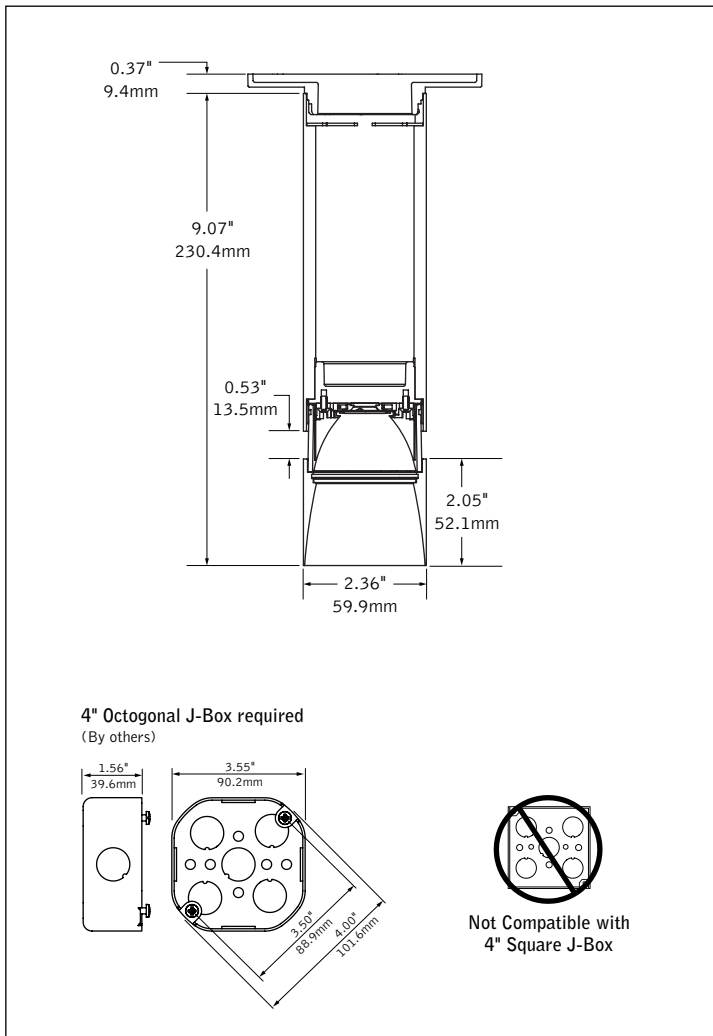
Shallow Canopy

Decorative Shallow Canopy

Pendant Mount Companions

Wall Wash Companions

DIMENSIONAL DATA (continued on page 3)



FEATURES

2" surface mount cylinder with decorative reveal.

Decorative reveal available with or without glow.

Black, white and custom color option for glowing reveal.

One-piece die-cast reflector with a knife edge for a modern aesthetic.

Reflectors with 50° cut-off or super short cone with Solite lens.

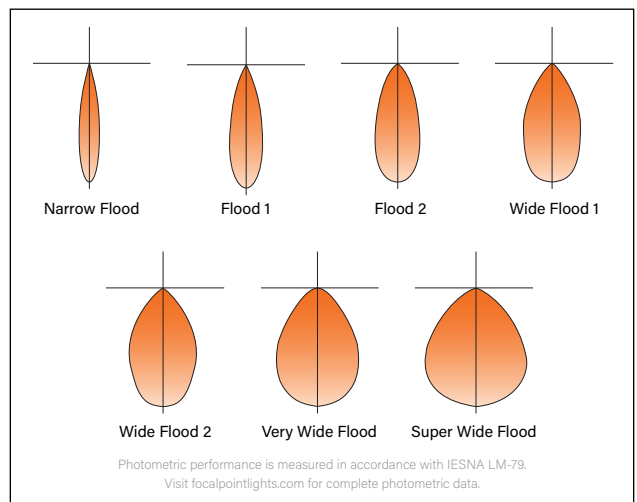
Wet location for indoor applications.

Available with The Naturals, a series of finishes that exude biophilic beauty.

Warm Dim: Lighting that enhances spaces with a warm glow, reminiscent of incandescent or halogen light sources.

PoE compatible: Integrates with Power over Ethernet lighting systems via standard, low-voltage wires.

DISTRIBUTIONS



fixture:

project:

SPECIFICATIONS

LED System

Proprietary LED module with single light emitting source. May be specified in 2700K, 3000K, 3500K or 4000K in CRI>80, CRI>90 or CRI 97. 3500K and 4000K with CRI of 90 have a cyanosis observation index (COI) of 3.3 or less. Color accuracy within 2 SDCM; Warm Dim 3-5 SDCM. Aluminum heat sink provides appropriate thermal management.

Construction

Upper housing is extruded aluminum. Lower reflector is die-cast aluminum. Twist & lock construction leaves no visible fasteners within the knife edge trim. Fixture will not exceed 5 lb.

Optics

Beam spreads achieved with optics that may be easily changed in field without the need of tools.

Optic	Distribution Beam Spread Spacing Criteria						
	NFL	FL1	FL2	WFL1	WFL2	VWFL	SWFL
DNT	19.4° 0.34	29.9° 0.52	42.1° 0.68	55.9° 0.84	65.8° 0.94	—	—
DSS	21.2° 0.36	29.7° 0.50	39.2° 0.64	53.1° 0.80	63.9° 0.92	75.9° 1.06	89.5° 1.24

Electrical

Choice of constant current dimming drivers. Power factor > .9 typical. PoE compatible: Integrates with Power over Ethernet lighting systems via standard, low-voltage wires. Integral Driver not Right Light as standard, consult factory.

Emergency

Emergency output —7W for 90 minutes. Maximum mounting height: 14.5 ft. J-box cannot be recessed above the ceiling with Emergency Battery.

Labels

UL and cUL listed. Suitable for Dry or Damp Locations, indoor use only. Wet Location standard, indoor use only.

Finish

Polyester powder coat applied over a multi-stage pre-treatment. The Naturals: 100% low VOC vinyl.

Lumen Maintenance

Reported: L70 > 55,000 hours
L80 > 55,000 hours
Calculated: L70 > 200,000 hours
L80 > 124,000 hours

(Derived from EPA TM-21 calculator. Based on typical conditions, consult factory for additional data.)


Reliability

At Focal Point, our products are designed to stand the test of time. Each luminaire is engineered using superior components, manufactured with the utmost care and rigorously tested. Contact us for reliability data.

Warranty

LED system rated for operation in ambient environments up to 25°C. 5 year limited warranty.

PERFORMANCE TABLE

Lumen Output	Delivered Lumens	System Watts	LPW
700L	727	9.0	80.8
 700L	736	14.5	51.0
900L	934	11.8	79.2
1100L	1142	14.5	78.8
1300L	1350	17.4	77.6

3500K, 80CRI, Clear Diffuse, DNT, Flood 2 Distribution. Warm Dim based on 3000 - 1800K, 90 CRI. Lumen output may vary +/- 5%. Actual wattage may vary +/- 5%.

ORDERING

Luminaire Series
ID+ 2" Round Cylinder FLCY2

FLCY2

Trim Type
Round RD

RD

Decorative Reveal
White Non-Glow Reveal WHR
Black Non-Glow Reveal BKR
White Glowing Reveal WHG
Black Glowing Reveal BKG
Clear Diffuse Glowing Reveal CDG
Warm Diffuse Glowing Reveal WDG
Custom Color Glowing Reveal
(Specify your RAL color value. Extended lead time consult factory.) RAL_ _ _ _

Lumen Output
700 Lumens 700L
900 Lumens 900L
1100 Lumens 1100L
1300 Lumens 1300L

Color Temperature
(Add 9 for 90 CRI or H for 97 CRI. Leave blank for 80 CRI. Examples: 2700K, 97 CRI = H27K. 2700K, 80 CRI = 27K.)

2700K, 80/90/97+ CRI _27K
3000K, 80/90/97+ CRI _30K
3500K, 80/90/97+ CRI _35K
4000K, 80/90/97+ CRI _40K
Warm Dim: 2700-1800K, 90+ CRI* 92718W
Warm Dim: 3000-1800K, 90+ CRI* 93018W
*(700L only. Not available with EMR or LV.)

Circuit
Single Circuit 1C
Voltage
120 Volt 120
277 Volt 277
Low Voltage LV

1C

Canopy Configuration
(See finishes page for standard colors. Consult factory for The Naturals or custom RAL color available for shallow canopy (SC).)

Shallow Canopy, Integral Driver SC
Decorative Shallow Canopy, Integral Driver DSC

Control System & Dimming Level
0-10V - 5% Dimming (120V only) LD5
0-10V - 10% Dimming (277V only) LD1
Low Voltage, PoE compatible LVN
(No driver. Not available with EMR or Warm Dimming. LV voltage only.)
Phase Dimming (120V only. Consult factory for recommended dimmers.) LFP

Mounting
Surface Mount SM

SM

Optic
50° Cut-off Cone DNT
(Not available with VWFL or SWFL distribution.)
Super Short Cone with Solite Lens DSS

Distribution
Narrow Flood NFL
Flood 1 FL1
Flood 2 FL2
Wide Flood 1 WFL1
Wide Flood 2 WFL2
Very Wide Flood (DSS optic only) VWFL
Super Wide Flood (DSS optic only) SWFL

Factory Options
Emergency Battery EMR
(Not available with Warm Dim or Low Voltage. J-box cannot be recessed above the ceiling. Remote test switch.)

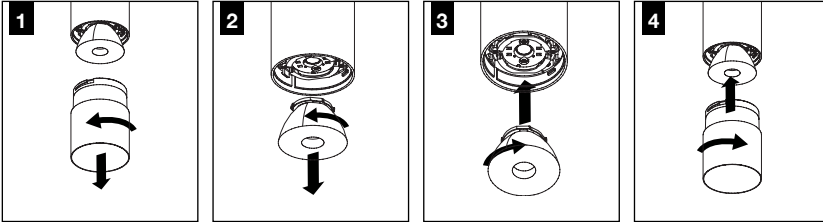
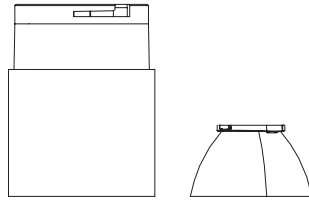
Reflector Color
Clear Diffuse CD
Warm Diffuse WD

Luminaire Finish
Upper Housing Finish
Lower Housing Finish

Specify an upper and lower housing finish. See finishes page for The Naturals options and standard color combinations for cylinder, cord/stem, and canopy.
Black BK
White WH

DISTRIBUTION KITS INCLUDE AN OPTIC AND REFLECTOR ASSEMBLY.

BOTH ITEMS MUST BE REPLACED TO ACHIEVE SPECIFIED DISTRIBUTION.



ACCESSORIES ORDERING

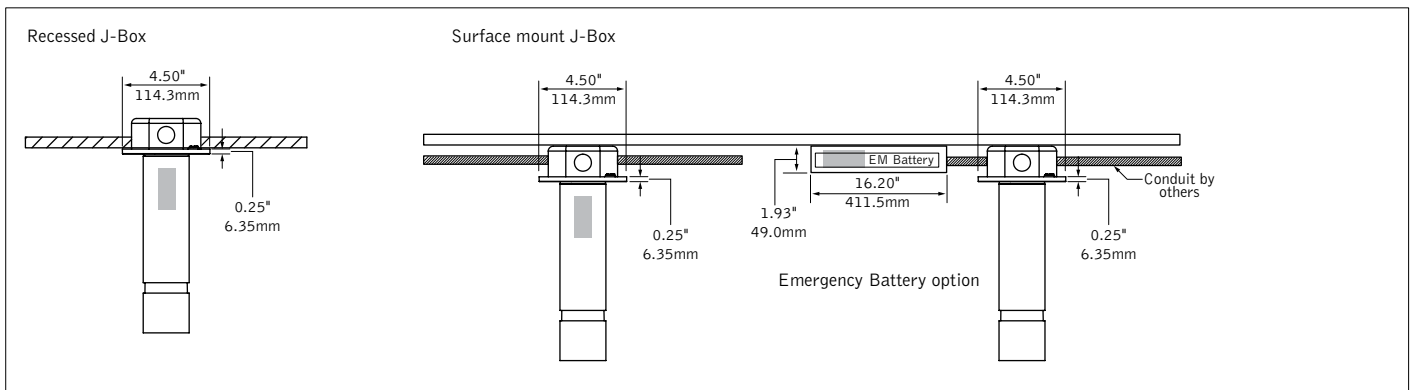
Luminaire Series	ID+ 2" Round Cylinder	KIT-FLCY2
Trim Type	Round	RD
Decorative Reveal		
<small>(Non-Glow may not be changed to Glowing Reveal in the field)</small>		
White Non-Glow Reveal	WHR	
Black Non-Glow Reveal	BKR	
Any Glowing Reveal	GLO	
<small>(Glowing reveal color may not be changed in field)</small>		
Optic		
<small>(Not available with VWFL or SWFL distribution.)</small>		
50° Cut-off Cone	DNT	
Super Short Cone with Solite Lens	DSS	
Wall Wash*	WW	
Distribution		
<small>(For Wall Wash Optic leave Distribution blank)</small>		
Narrow Flood	NFL	
Flood 1	FL1	
Flood 2	FL2	
Wide Flood 1	WFL1	
Wide Flood 2	WFL2	
Very Wide Flood (DSS optic only)	VWFL	
Super Wide Flood (DSS optic only)	SWFL	
Reflector Color		
Clear Diffuse	CD	
Warm Diffuse	WD	
Luminaire Lower Housing Finish		
<small>Specify an upper and lower housing finish. See finishes page for The Naturals options and standard color combinations for cylinder, cord/stem, and canopy.</small>		
Black	BK	
White	WH	

*Changing to a Wall wash from a Downlight will result in a step lower nominal lumen than originally specified. Please use lumen multiplier formula to determine delivered lumen output. [Download the dedicated Wall Wash cut sheet.](#)

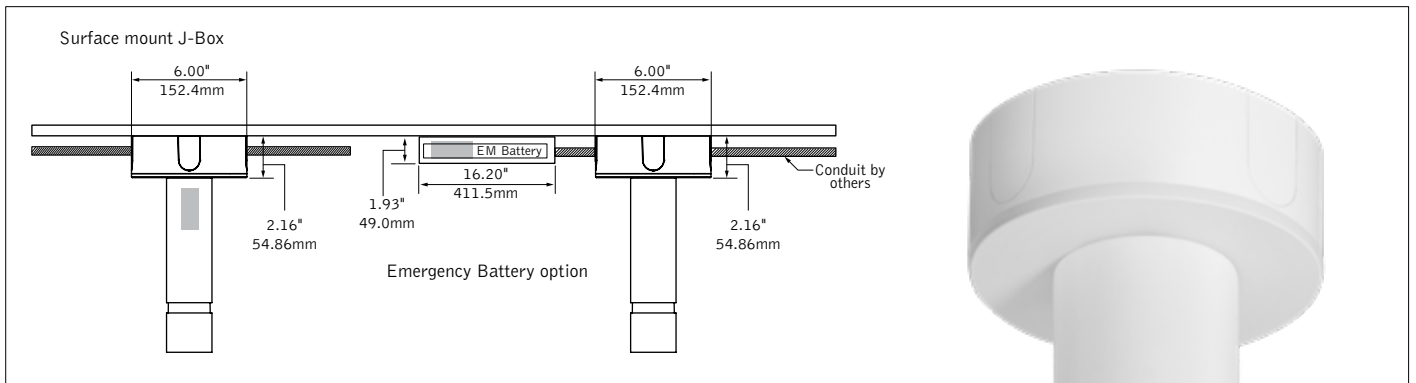
DIMENSIONAL DATA CONTINUED

SC - Shallow Canopy, Integral Driver

■ Indicates Driver Location



DSC - Decorative Shallow Canopy, Integral Driver



2" CYLINDER LUMEN MULTIPLIER TABLE

Color Temperature & CRI

Trim Type	Optic	Color Temperature	Multiplier
Round [RD]	ALL	2700K, 80+ CRI [27K]	0.92
		2700K, 90+ CRI [927K]	0.79
		2700K, 97+ CRI [H27K]	0.67
		3000K, 80+ CRI [30K]	0.98
		3000K, 90+ CRI [930K]	0.83
		3000K, 97+ CRI [H30K]	0.72
		3500K, 80+ CRI [35K]	1.00
		3500K, 90+ CRI [935K]	0.82
		3500K, 97+ CRI [H35K]	0.73
		4000K, 80+ CRI [40K]	1.01
		4000K, 90+ CRI [940K]	0.84
		4000K, 97+ CRI [H40K]	0.76
			2700-1800K, 90+ CRI [92718W]
	3000-1800K, 90+ CRI [93018W]	1.05	

Optic & Distribution

Trim Type	Optic	Distribution	Multiplier
Round [RD]	Tall Cone, 50° cut-off [DNT]	Narrow Flood (19.4°) [NFL]	1.27
		Flood 1 (29.9°) [FL1]	1.19
		Flood 2 (42.1°) [FL2]	1.04
		Wide Flood 1 (55.9°) [WFL1]	0.96
		Wide Flood 2 (65.8°) [WFL2]	0.89
	Super Short Cone with Solite lens [DSS]	Narrow Flood (21.2°) [NFL]	1.08
		Flood 1 (29.7°) [FL1]	0.96
		Flood 2 (39.2°) [FL2]	0.94
		Wide Flood 1 (53.1°) [WFL1]	0.89
		Wide Flood 2 (63.9°) [WFL2]	0.88
		Very Wide Flood (75.9°) [VWFL]	0.85
		Super Wide Flood (89.5°) [SWFL]	0.75

Color

Trim Type	Optic	Color	Multiplier
ALL	Tall Cone, 50° cut-off [DNT]	Clear Diffuse [CD]	1.00
		Warm Diffuse [WD]	1.00
	Super Short Cone with Solite lens [DSS]	Clear Diffuse [CD]	1.00
		Warm Diffuse [WD]	1.00

Multiplier tables are provided to aid with estimation of lumen levels across options. Apply multipliers against ordered Lumen Output to estimate Delivered Lumens. Refer to IES files for most accurate photometric information.

How To Use Lumen Multipliers

Formula: (Lumen Output Value) x (Color Temperature & CRI) x (Optic & Distribution) x (Color)

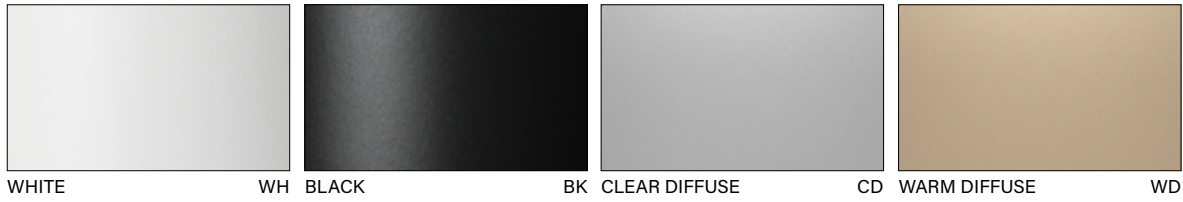
Example: FLCY2-RD-1100L-935K-DNT-FL1-WD

(1100) x (0.82) x (1.19) x (1.00) ≈ 1073.4 lm (estimated delivered lumens)

Finishes



STANDARD FINISHES



WHITE WH BLACK BK CLEAR DIFFUSE CD WARM DIFFUSE WD

THE NATURALS (25% SCALE)



LIGHT OAK LOK GRAY ELM GRE CHESTNUT CHT WALNUT WLT WOVEN LINEN WLN

STANDARD COLOR COMBINATIONS

Upper Housing Finish	Lower Housing Finish	Cord/Stem/Canopy Color
Black (BK)	Black (BK)	Black
	Light Oak (LOK)	
	Grey Elm (GRE)	
	Chestnut (CHT)	
	Walnut (WLT)	
	Woven Linen (WLN)	
White (WH)	White (WH)	White
	Light Oak (LOK)	
	Grey Elm (GRE)	
	Chestnut (CHT)	
	Walnut (WLT)	
	Woven Linen (WLN)	

Upper Housing Finish	Lower Housing Finish	Cord/Stem/Canopy Color
Walnut (WLT)	Walnut (WLT)	Black
	Black (BK)	
	Palladium Silver (PS)	
	White (WH)	
Grey Elm (GRE)	Grey Elm (GRE)	White
	White (WH)	
	Palladium Silver (PS)	
	Black (BK)	
Light Oak (LOK)	Light Oak (LOK)	White
	White (WH)	
	Palladium Silver (PS)	
	Black (BK)	
Chestnut (CHT)	Chestnut (CHT)	White
	White (WH)	
	Palladium Silver (PS)	
	Black (BK)	
Woven Linen (WLN)	Woven Linen (WLN)	White
	White (WH)	
	Palladium Silver (PS)	
	Black (BK)	