

# ID+ 4.5" Adjustable

Round Trimless — FLCS4 | LCS4



FOCAL POINT®

## BEFORE YOU BEGIN

- Luminaires must be installed by a qualified electrician (check with local and national codes for proper installation).
- To prevent electrical shock, disconnect electrical supply before installation or servicing.
- Contractor is responsible for adequately reinforcing walls and/or ceilings to support fixture weight.
- Focal Point, LLC accepts no responsibility for inadequately reinforced walls and/or ceilings.
- The information contained in this drawing is the sole property of Focal Point, LLC. Any reproduction in part or whole without the written permission of Focal Point, LLC is prohibited.

## INSTRUCTION KEY



ATTENTION



SEE ADDITIONAL INSTRUCTIONS



POWER OFF



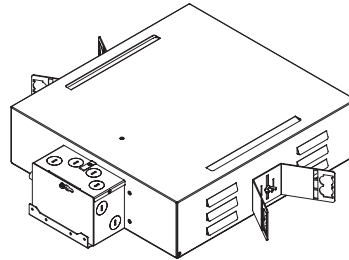
POWER ON



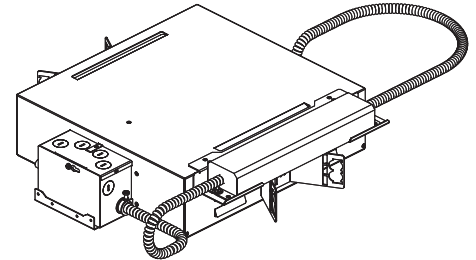
LEVEL

## COMPONENT KEY

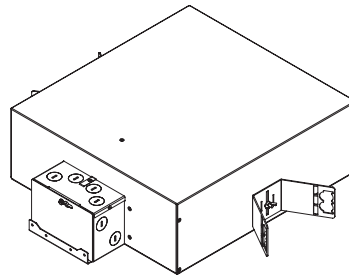
### FOCAL POINT



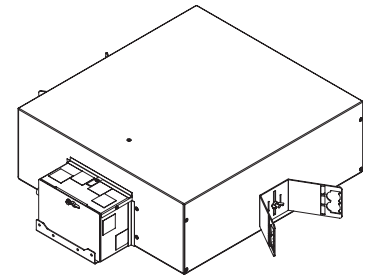
T-Housing



Emergency - Remote Test Switch

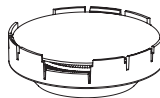


IC Rated Housing

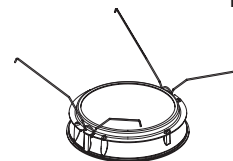


Chicago Plenum Housing

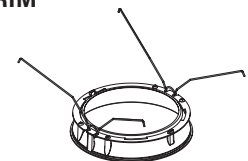
### TRIM



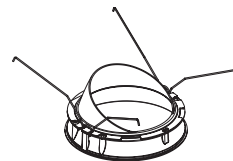
Beamspread optic, shipped installed (replacement kits available)



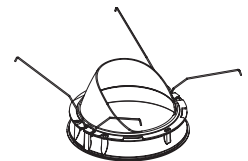
Solite Lens



Spot Optic, no lens 0°-15° tilt

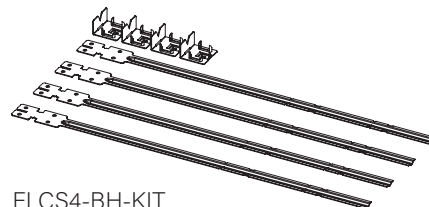


Spot Optic, no lens 15°-30° tilt



Spot Optic, no lens 25°-40° tilt

### OPTIONAL BAR HANGERS - SOLD SEPARATELY



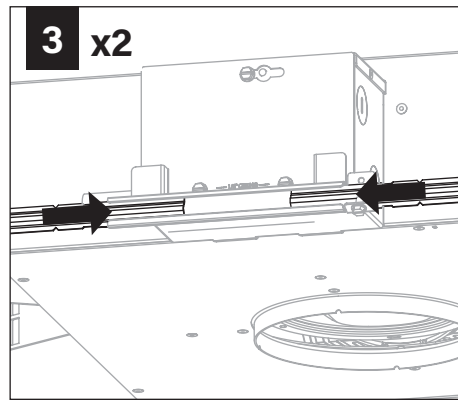
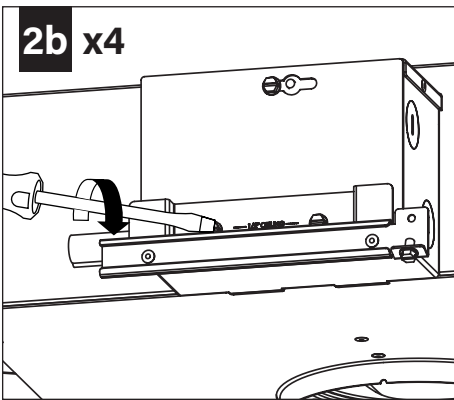
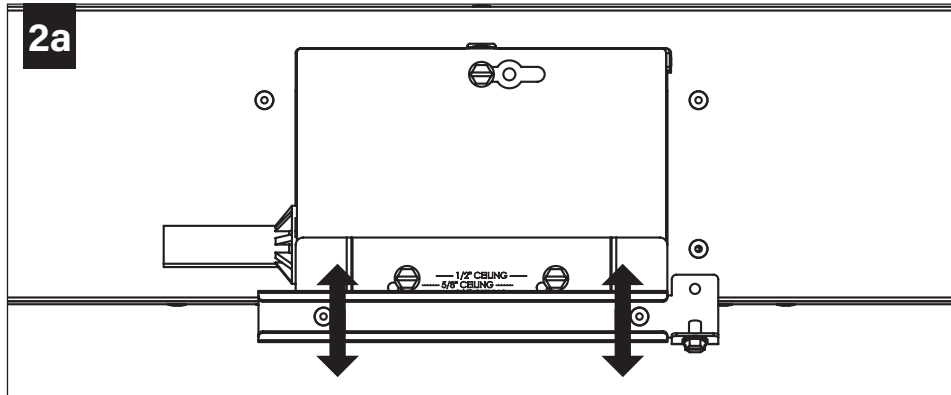
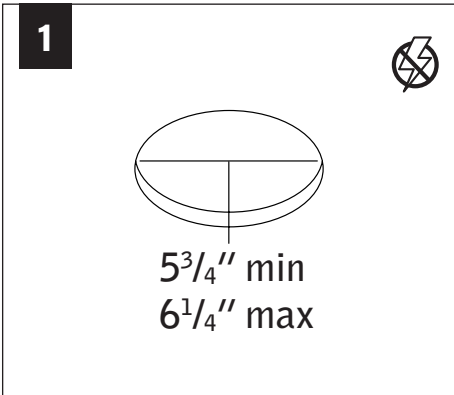
FLCS4-BH-KIT



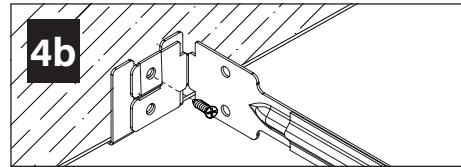
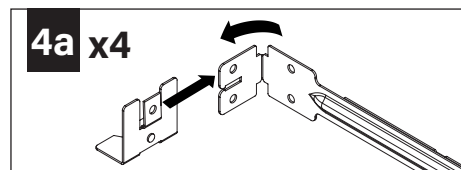
LUMINAIRE MUST BE INSTALLED PRIOR TO DRYWALL CEILING.



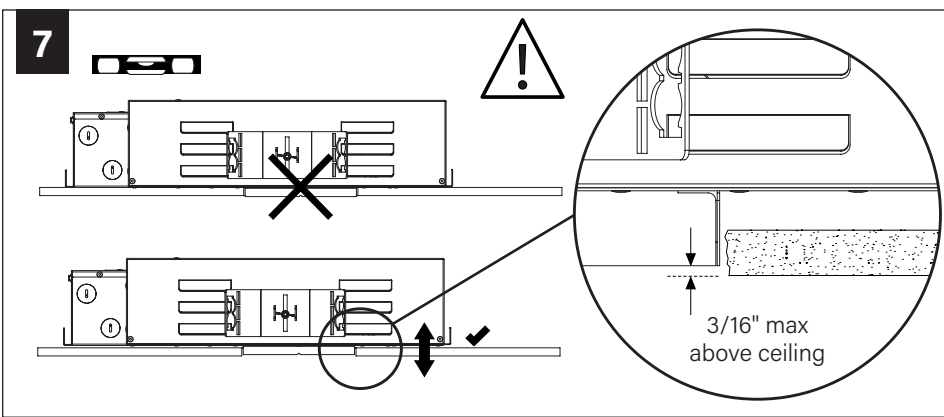
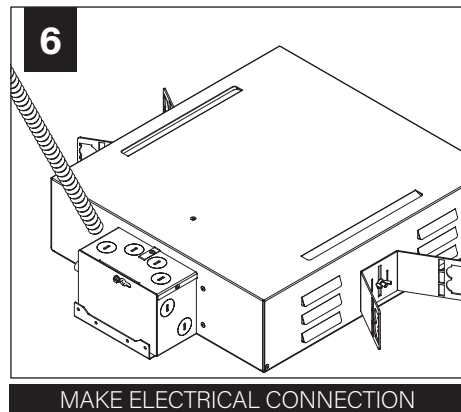
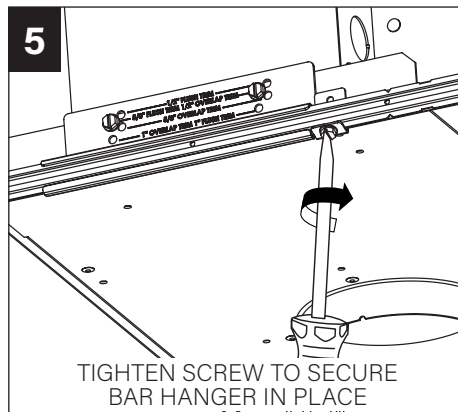
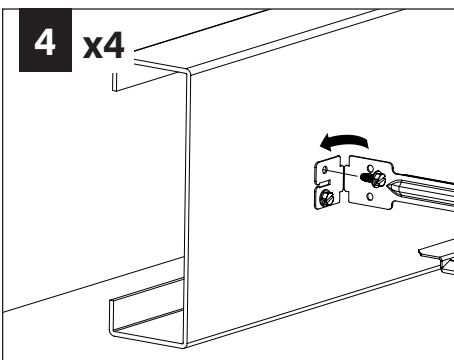
**DRYWALL - BAR HANGERS (SOLD SEPARATELY)**



**WOOD STUDS**

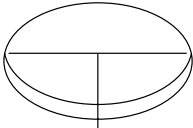


**METAL STUDS**



# MUD-IN

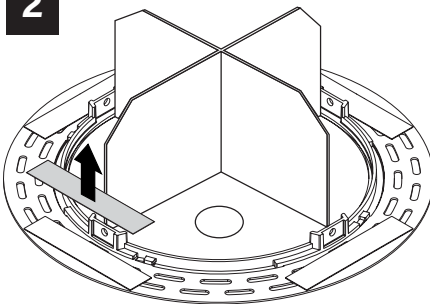
**1**



5<sup>3</sup>/<sub>4</sub>" min  
6<sup>1</sup>/<sub>4</sub>" max

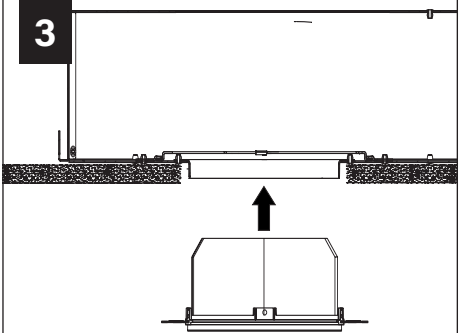
**!** CLEAN CEILING SURFACE  
FREE OF DUST AND DEBRIS

**2**



REMOVE ADHESIVE BACKING  
FROM MUD RING

**3**



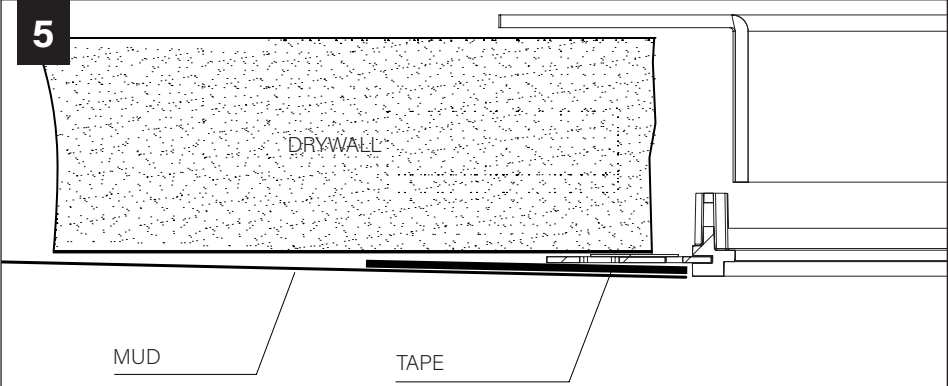
USE DUST COVER TO ALIGN  
MUD RING WITH HOUSING

**4**



**!** DO NOT REMOVE DUST COVER  
UNTIL TAPE AND MUD-IN  
ARE COMPLETE

**5**



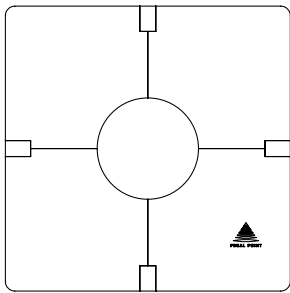
DRYWALL

MUD

TAPE

# WOOD CEILING

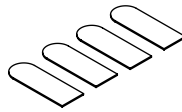
## WOOD CEILING INSTALLATION KIT PARTS LIST



WOOD ROUTING JIG

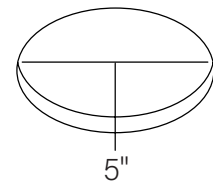


5/16" MINIATURE  
RABBETING BIT WITH  
1/16" CUT DEPTH



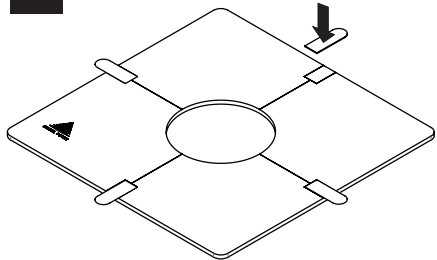
3M COMMAND POSTER STRIP  
#136 (QTY. 40)

**1**



CLEAN WOOD CEILING SURFACE  
AND WOOD ROUTING JIG  
FREE OF DUST AND DEBRIS

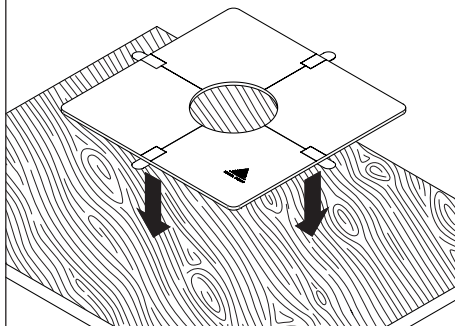
**2** x4



ADHERE COMMAND POSTER STRIPS  
TO WOOD ROUTING JIG

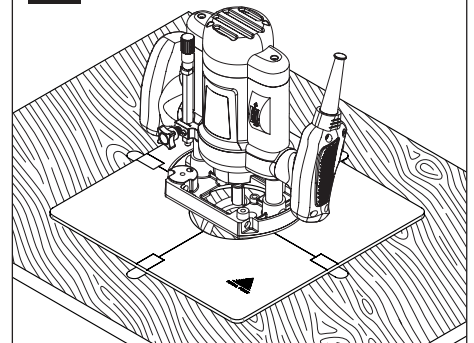
**3**

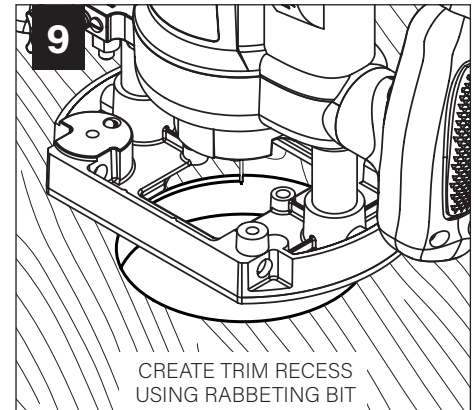
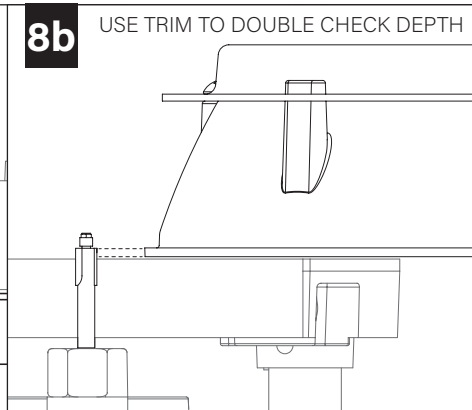
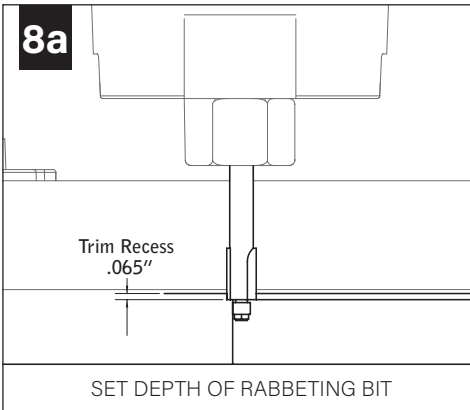
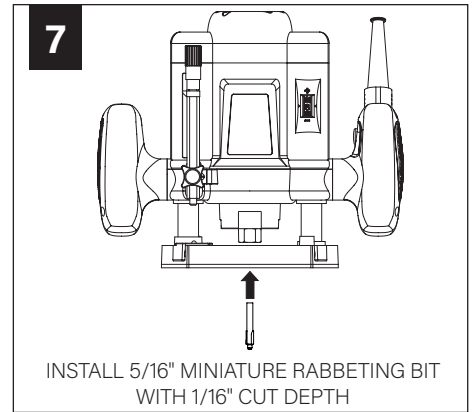
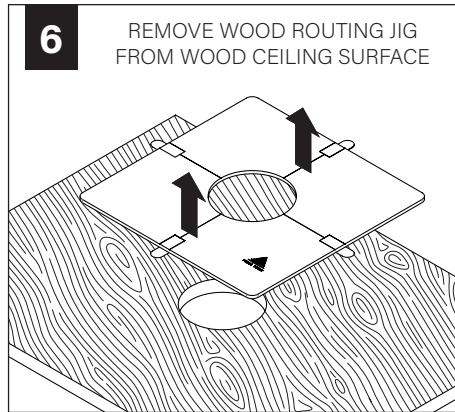
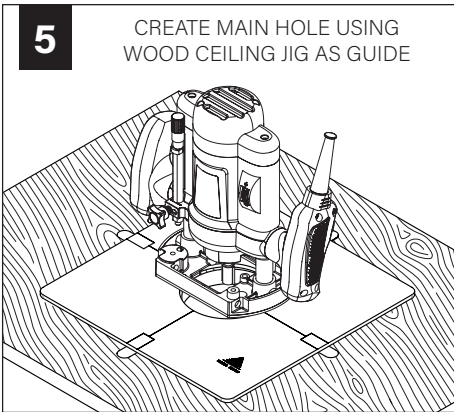
ADHERE WOOD ROUTING JIG  
TO WOOD CEILING SURFACE



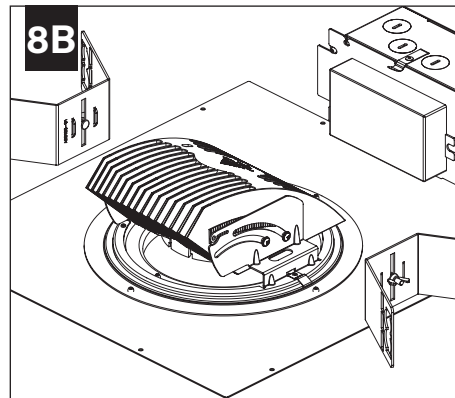
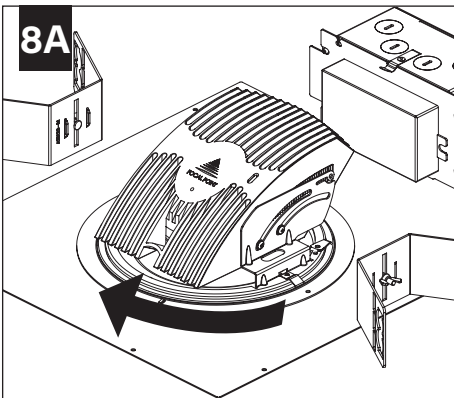
**4**

CREATE STARTER HOLE

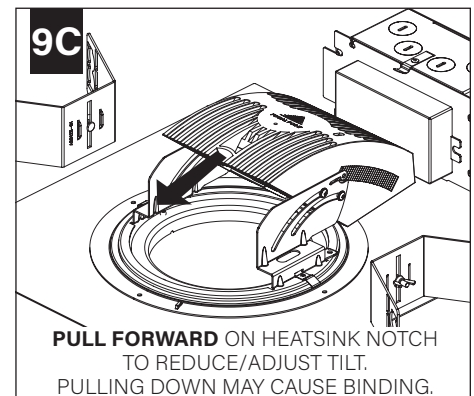
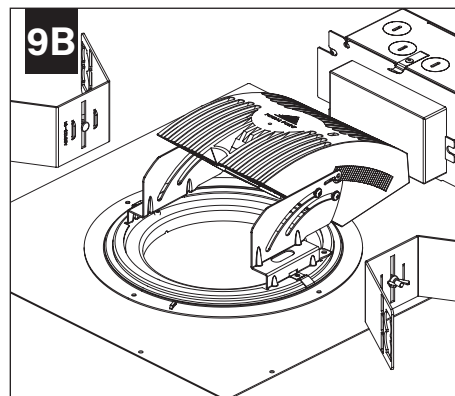
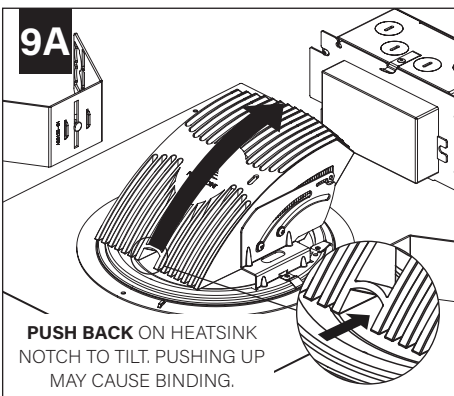




**ROTATE (MAXIMUM ROTATION: 364°)**

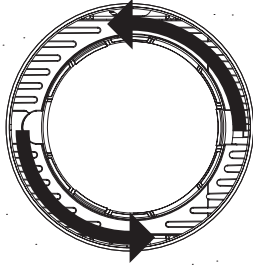


**TILT (MAXIMUM TILT: 40°)**



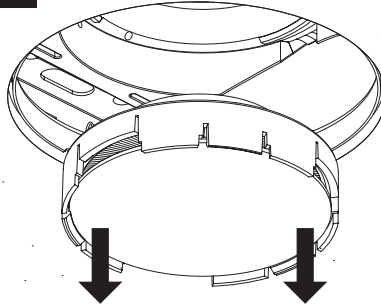
## OPTIC SERVICE

**A**  ADJUST ANGLE TO ZERO TILT



OPTIC ENGAGES WITH  
TWIST & LOCK MECHANISM

**B**



**I**

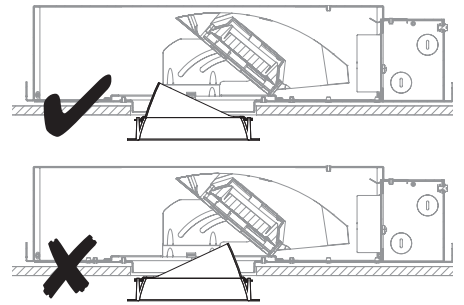
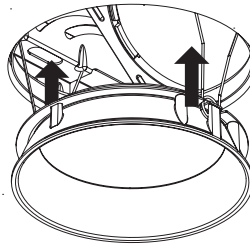
REVERSE STEPS TO  
**INSTALL BEAMSPREAD OPTIC**

## TRIM INSTALLATION

**10**



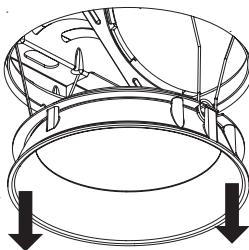
ENSURE LED MODULE & TRIM  
**DO NOT** INTERFERE  
BEFORE INSTALLING




**SP30 & SP40: TRIM IS DIRECTIONAL,  
ENSURE PROPER ORIENTATION**

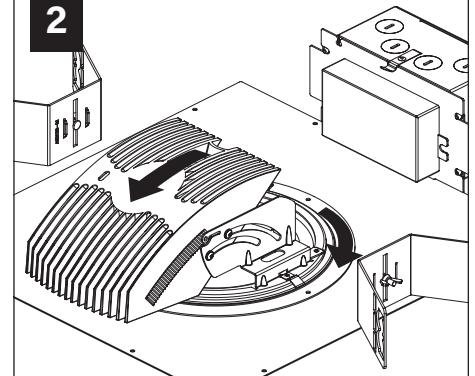
## DRIVER SERVICE

**1**

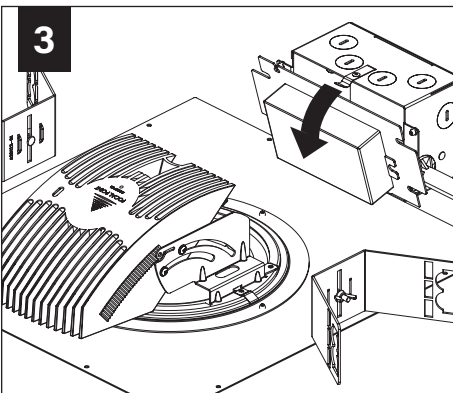


  
TILT & ROTATE LED MODULE  
AWAY FROM DRIVER.  
**SEE INSTALLATION STEPS 8 & 9  
FOR INSTRUCTIONS.**

**2**



**3**



## SPOT OPTIC TILT KIT (SOLD SEPARATELY)



**SP30 & SP40 SHIP WITH SHROUDS INSTALLED.**

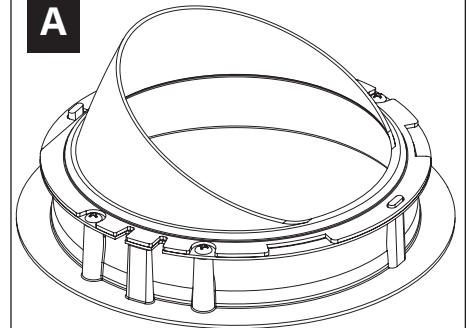
SPOT OPTICS KITS ARE AVAILABLE AS REPLACEMENTS OR IF TILT ANGLE CHANGES FROM WHAT WAS SPECIFIED.

### Distribtuion: Spot (SP)

Optic	Description	Tilt Range
SL*	Solite Lens	0° - 40°
SP00*	Spot Optic, No Lens	0° - 15°
SP30	Spot Optic, No Lens	15° - 30°
SP40	Spot Optic, No Lens	25° - 40°

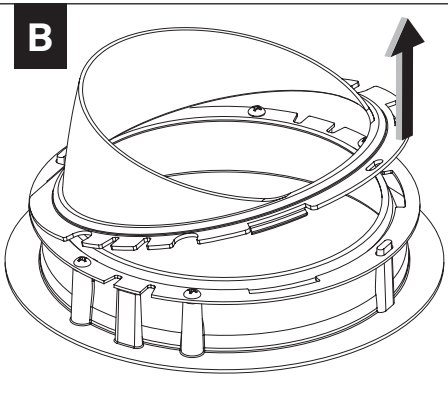
\*Shroud not required

**A**

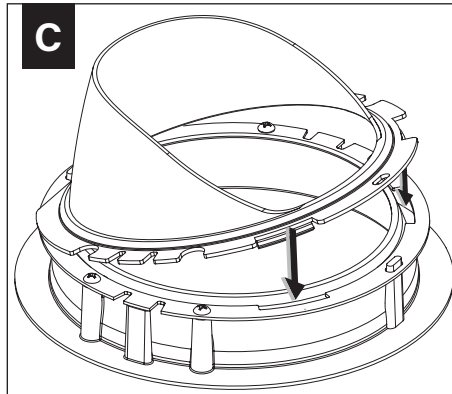


**SP30: 15° - 30°**

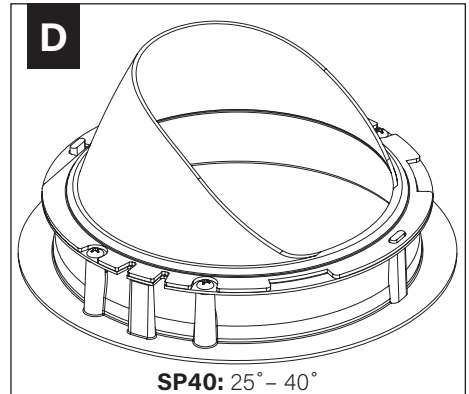
**B**



**C**



**D**



**SP40: 25° - 40°**