

ID+ 4.5" x 4.5" Adjustable

Square Trimless — FLCS44 | LCS44



FOCAL POINT®



BEFORE YOU BEGIN

- Luminaires must be installed by a qualified electrician (check with local and national codes for proper installation).
- To prevent electrical shock, disconnect electrical supply before installation or servicing.
- Contractor is responsible for adequately reinforcing walls and/or ceilings to support fixture weight.
- Focal Point, LLC accepts no responsibility for inadequately reinforced walls and/or ceilings.
- The information contained in this drawing is the sole property of Focal Point, LLC. Any reproduction in part or whole without the written permission of Focal Point, LLC is prohibited.

INSTRUCTION KEY



ATTENTION



SEE ADDITIONAL INSTRUCTIONS



POWER OFF



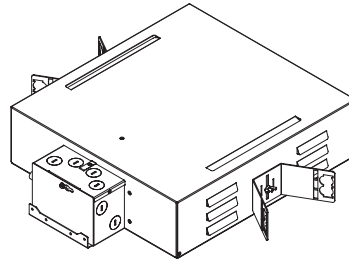
POWER ON



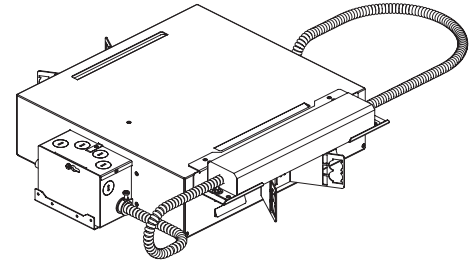
LEVEL

COMPONENT KEY

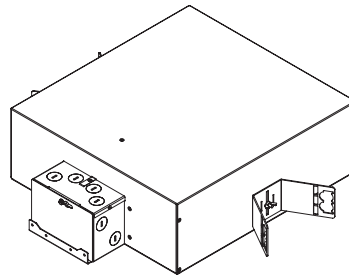
FOCAL POINT



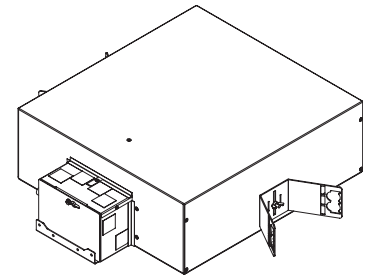
T-Housing



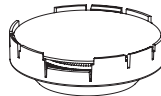
Emergency - Remote Test Switch



IC Rated Housing

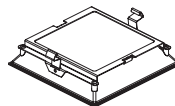


Chicago Plenum Housing

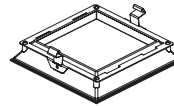


Beamspread optic,
shipped installed
(replacement kits available)

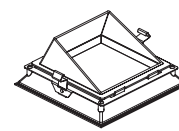
TRIM



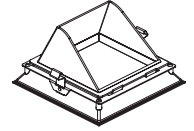
Solite Lens



Spot Optic,
no lens
0°-15° tilt

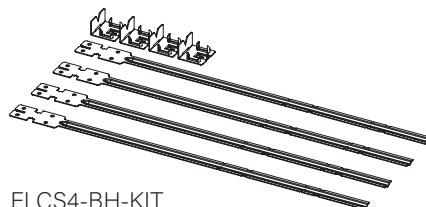


Spot Optic,
no lens
15°-30° tilt



Spot Optic,
no lens
25°-40° tilt

OPTIONAL BAR HANGERS - SOLD SEPARATELY



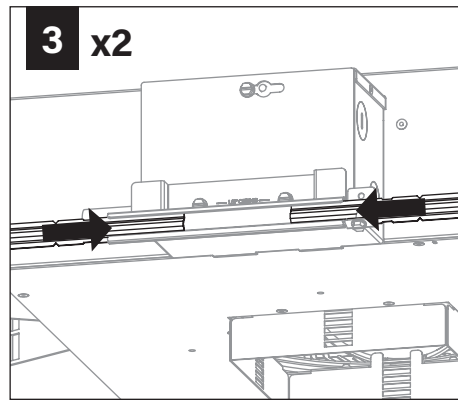
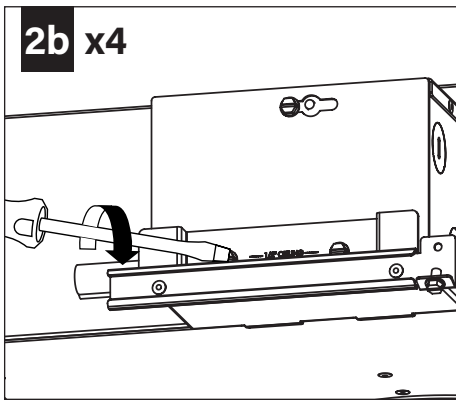
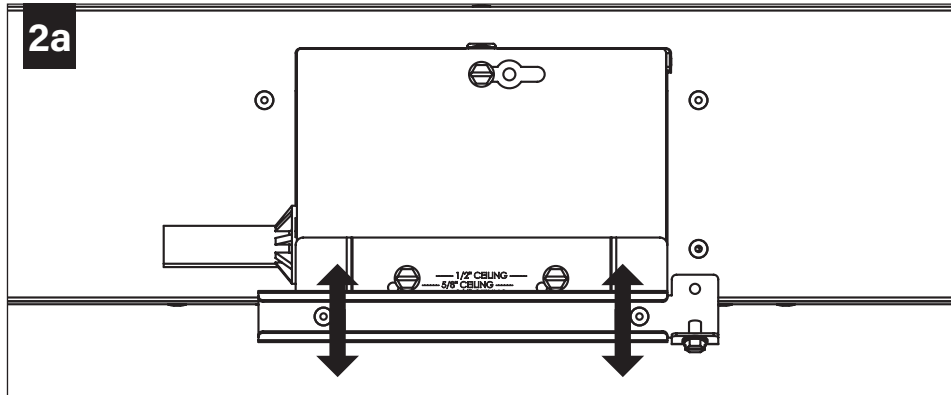
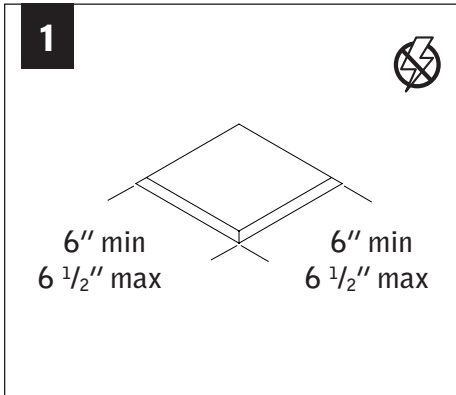
FLCS4-BH-KIT



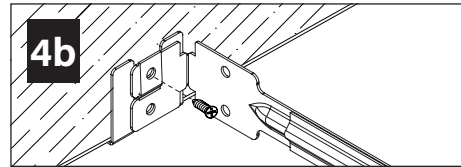
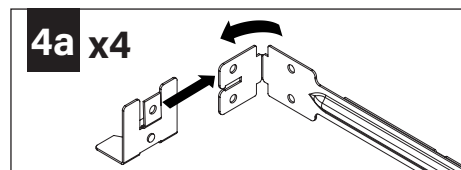
LUMINAIRE MUST BE INSTALLED PRIOR TO DRYWALL CEILING.



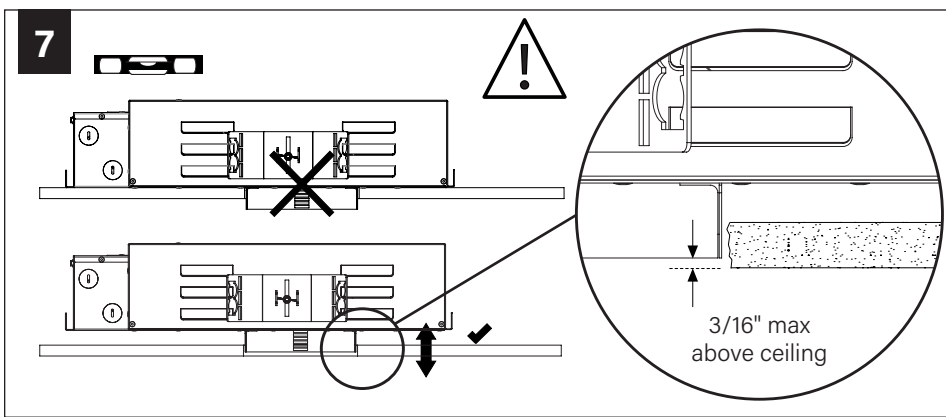
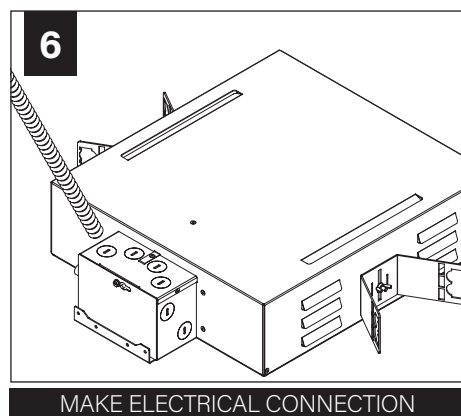
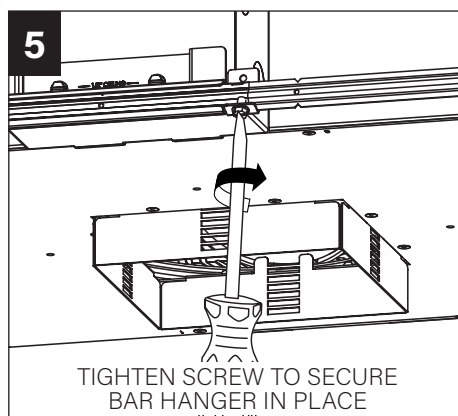
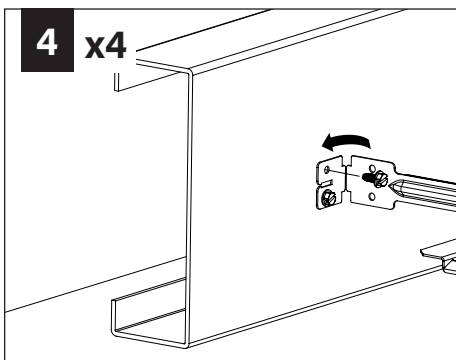
DRYWALL - BAR HANGERS (SOLD SEPARATELY)



WOOD STUDS



METAL STUDS



MUD-IN

1

6" min
6 1/2" max

6" min
6 1/2" max

! CLEAN CEILING SURFACE
FREE OF DUST AND DEBRIS

2

REMOVE ADHESIVE BACKING
FROM MUD RING

3

USE DUST COVER TO ALIGN
MUD RING WITH HOUSING

4

! DO NOT REMOVE DUST COVER
UNTIL TAPE AND MUD-IN
ARE COMPLETE

5

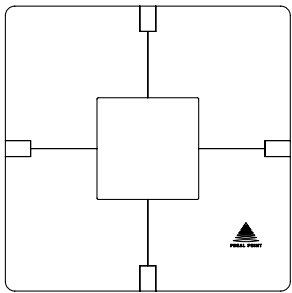
DRYWALL

MUD

TAPE

WOOD CEILING

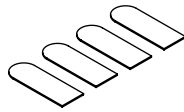
WOOD CEILING INSTALLATION KIT PARTS LIST



WOOD ROUTING JIG



5/16" MINIATURE
RABBETING BIT WITH
1/16" CUT DEPTH



3M COMMAND POSTER STRIP
#136 (QTY. 40)

1

6" 6"

! CLEAN WOOD CEILING SURFACE
AND WOOD ROUTING JIG
FREE OF DUST AND DEBRIS

2 x4

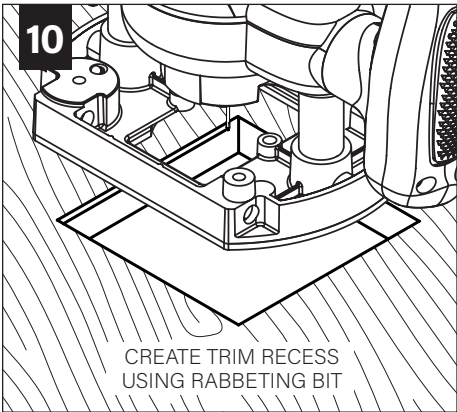
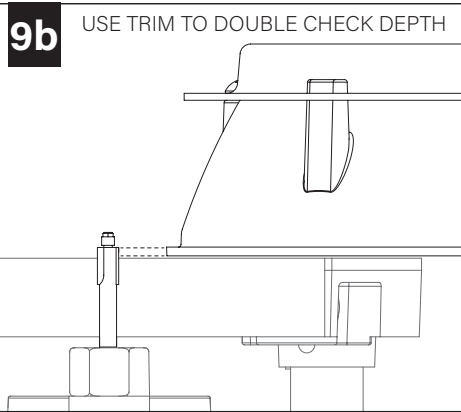
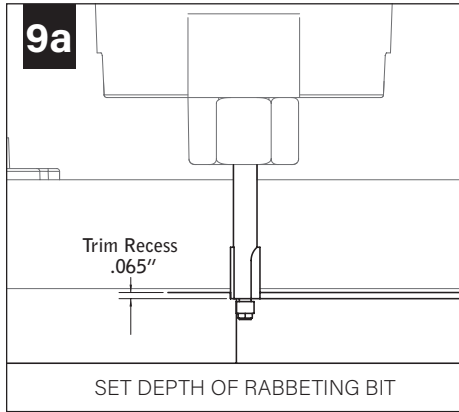
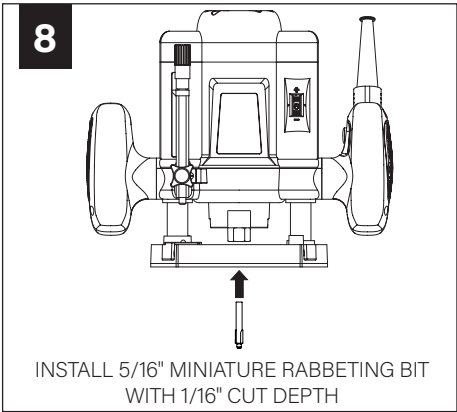
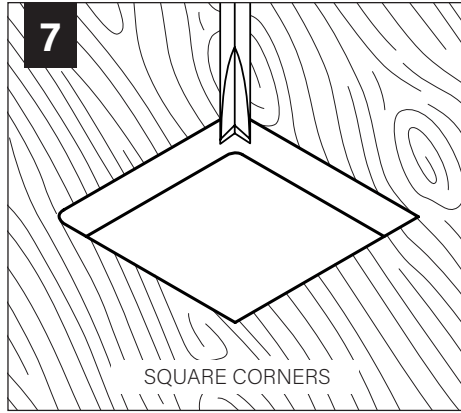
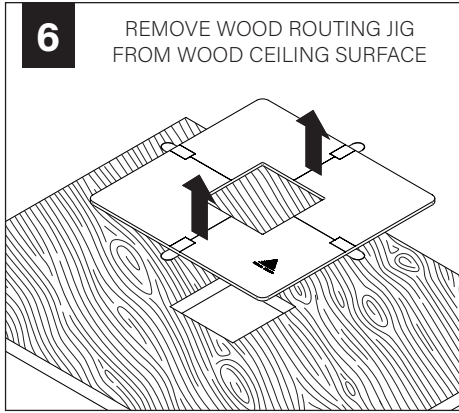
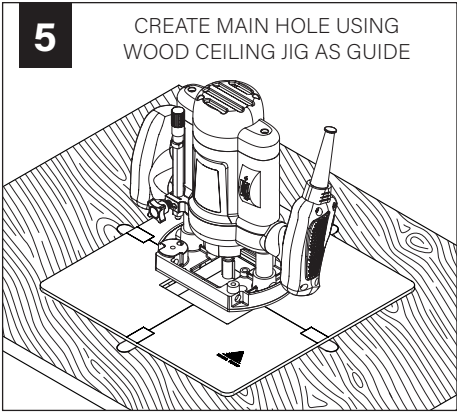
ADHERE COMMAND POSTER STRIPS
TO WOOD ROUTING JIG

3

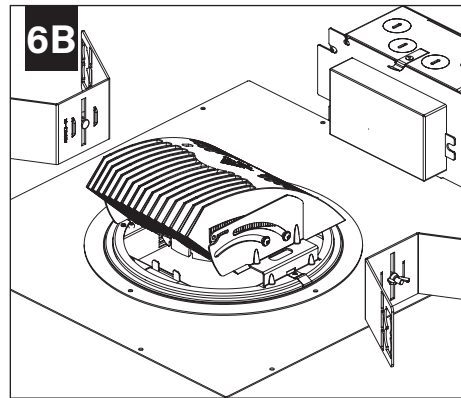
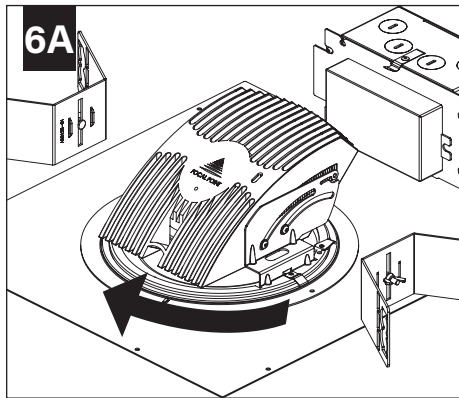
ADHERE WOOD ROUTING JIG
TO WOOD CEILING SURFACE

4

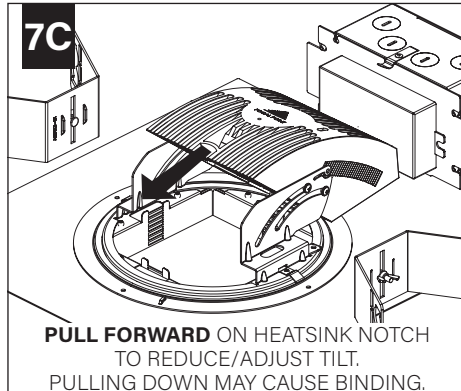
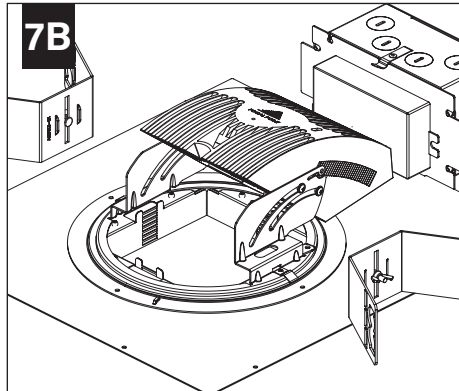
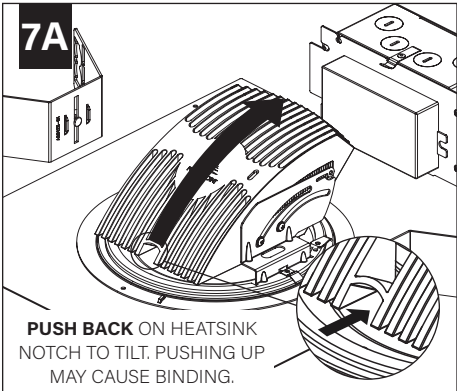
CREATE STARTER HOLE



ROTATE (MAXIMUM ROTATION: 364°)

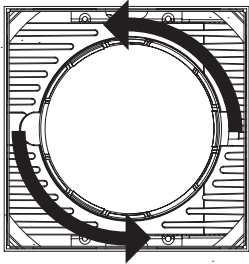


TILT (MAXIMUM TILT: 40°)



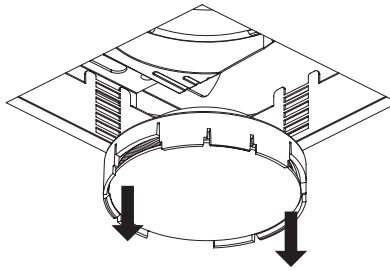
OPTIC SERVICE

A  ADJUST ANGLE TO ZERO TILT



OPTIC ENGAGES WITH
TWIST & LOCK MECHANISM

B



I

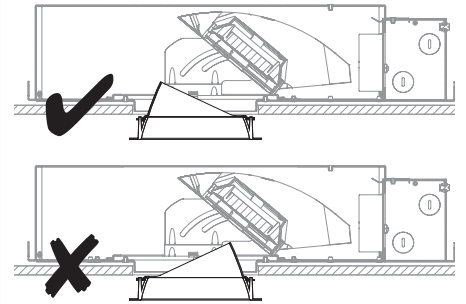
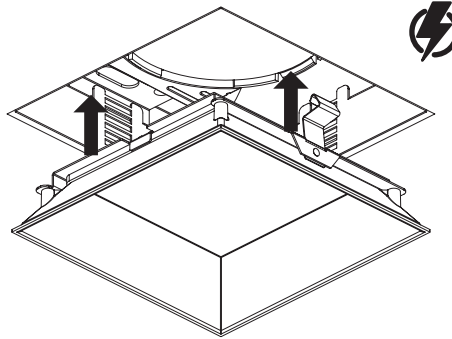
REVERSE STEPS TO
INSTALL BEAMSPREAD OPTIC

TRIM INSTALLATION

10



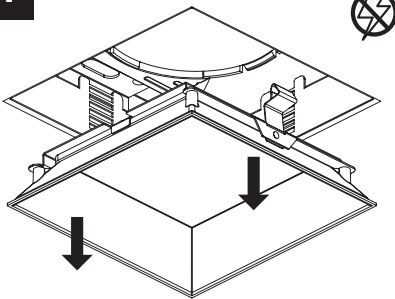
ENSURE LED MODULE & TRIM
DO NOT INTERFERE
BEFORE INSTALLING



SP30 & SP40: TRIM IS DIRECTIONAL,
ENSURE PROPER ORIENTATION

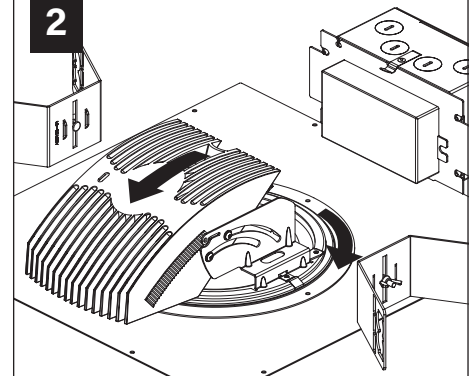
DRIVER SERVICE

1

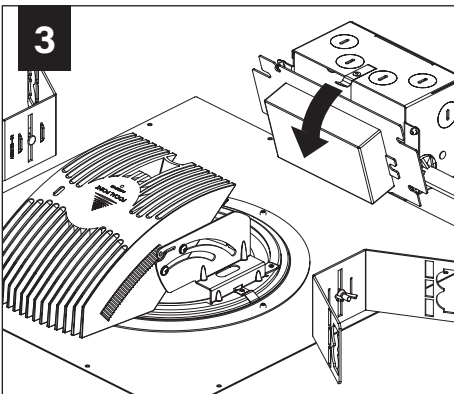


TILT & ROTATE LED MODULE
AWAY FROM DRIVER.
**SEE INSTALLATION STEPS 6 & 7
FOR INSTRUCTIONS.**

2



3



SPOT OPTIC TILT KIT (SOLD SEPARATELY)



SP30 & SP40 SHIP WITH SHROUDS INSTALLED.

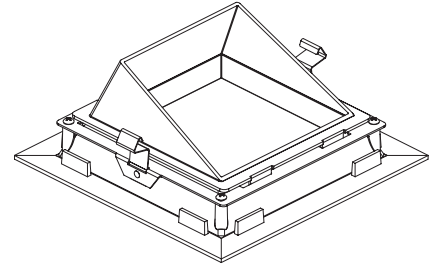
SPOT OPTICS KITS ARE AVAILABLE AS REPLACEMENTS OR IF TILT ANGLE CHANGES FROM WHAT WAS SPECIFIED.

Distribtuion: Spot (SP)

Optic	Description	Tilt Range
SL*	Solite Lens	0° - 40°
SP00*	Spot Optic, No Lens	0° - 15°
SP30	Spot Optic, No Lens	15° - 30°
SP40	Spot Optic, No Lens	25° - 40°

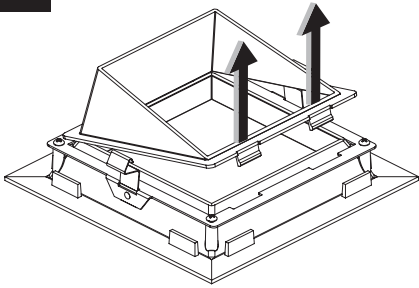
*Shroud not required

A

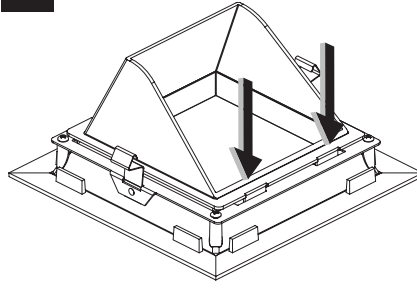


SP30: 15° - 30°

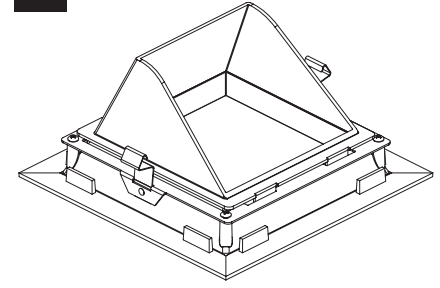
B



C



D



SP40: 25° - 40°