

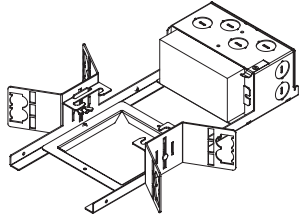
id+ 3.5" square trimless housing

FLC33D | FLC33W



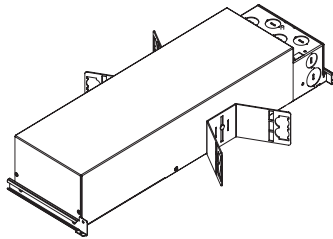
LUMINAIRE MUST BE INSTALLED PRIOR TO DRYWALL CEILING.

NON-EMERGENCY - THERMALLY PROTECTED, NON-IC



FLC33D | FLC33W

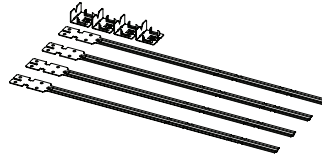
IC/CP



FLC33D/FLC33W



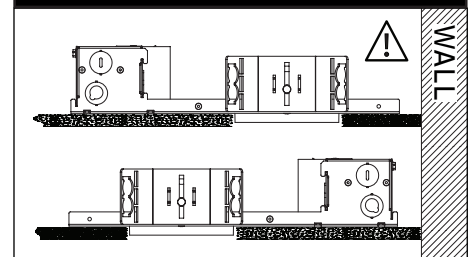
OPTIONAL - BAR HANGERS SOLD SEPARATELY



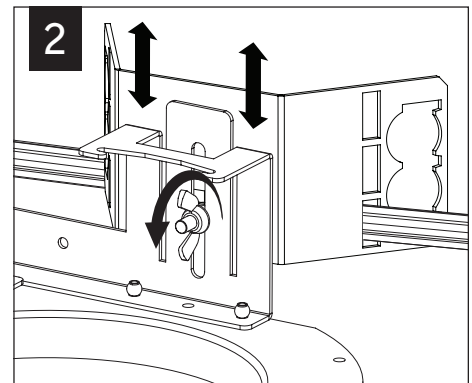
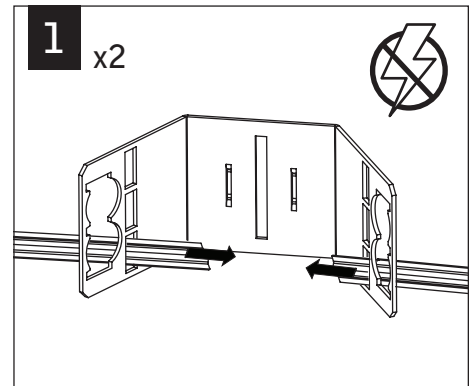
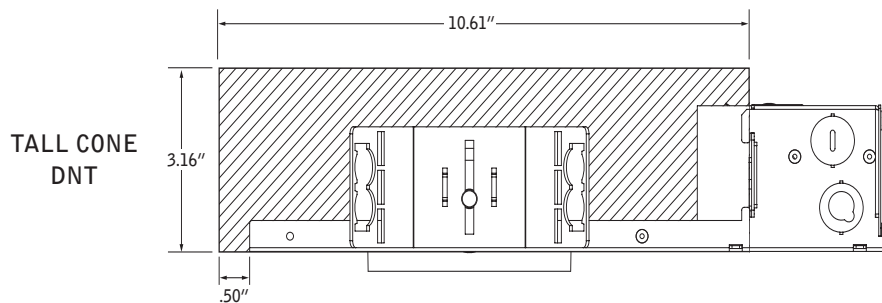
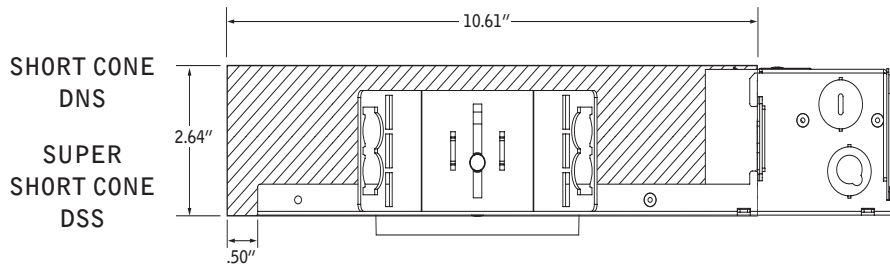
KEY



WALL WASH ORIENTATION

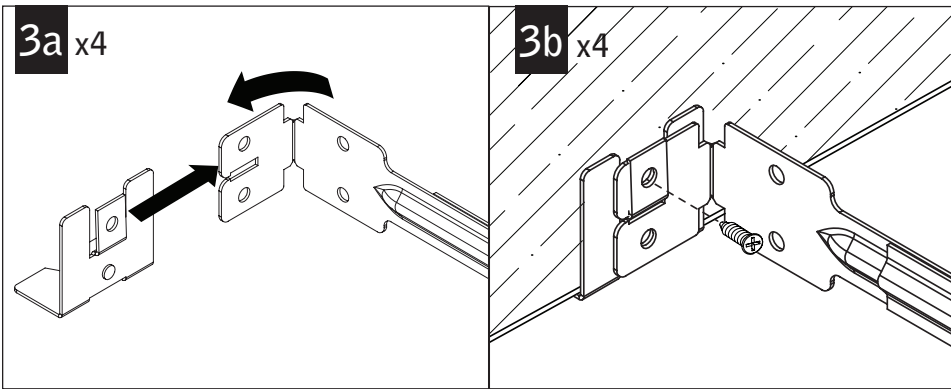


KEEP SHADED AREA FREE FROM OBSTRUCTION ABOVE CEILING

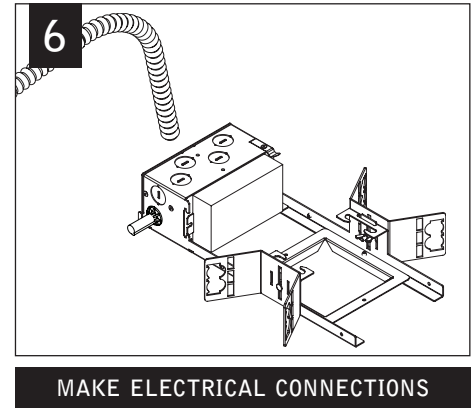
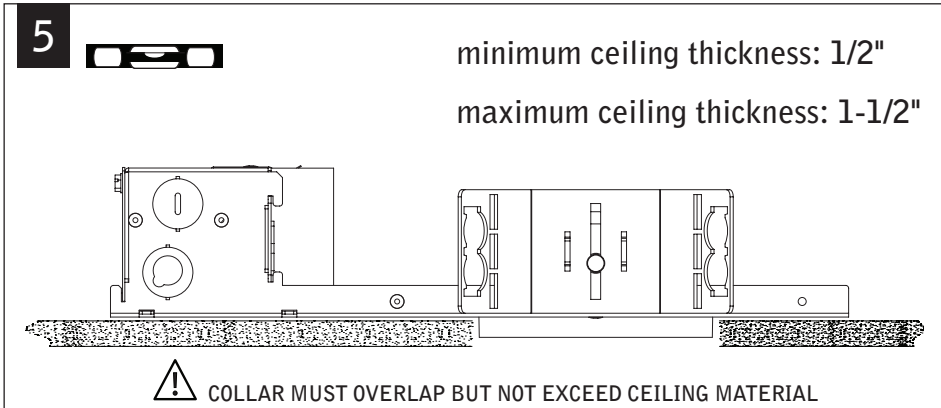
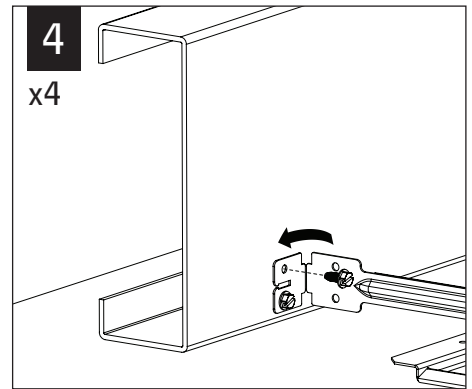


Luminaires must be installed by a qualified electrician (check with local and national codes for proper installation).
To prevent electrical shock, disconnect electrical supply before installation or servicing.

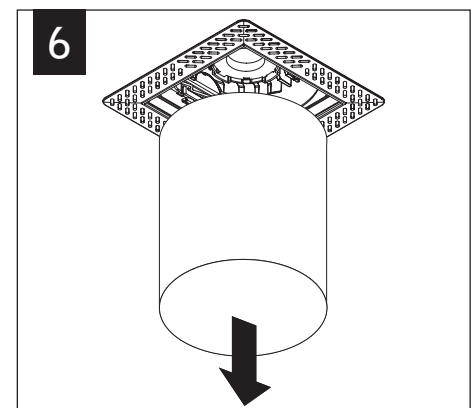
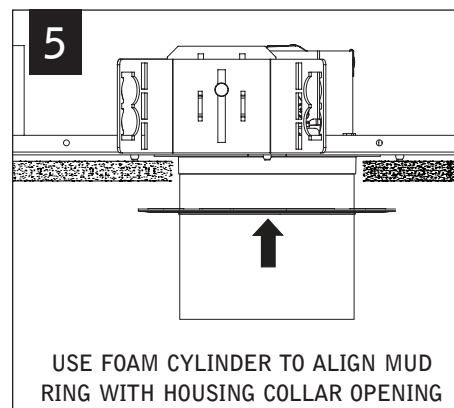
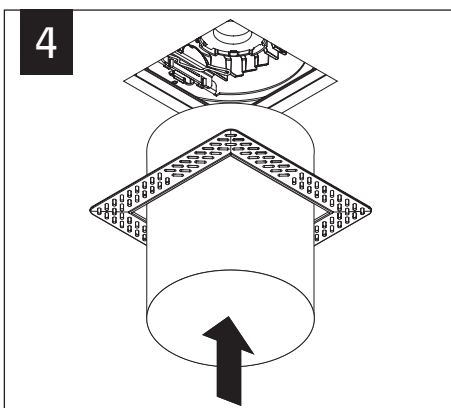
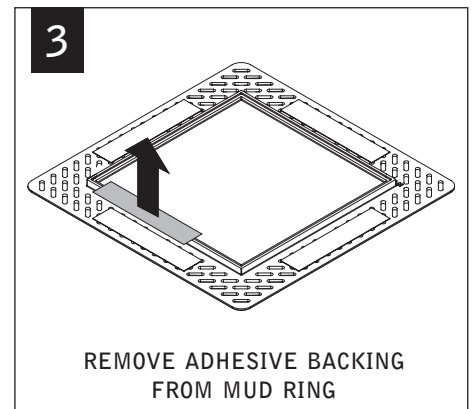
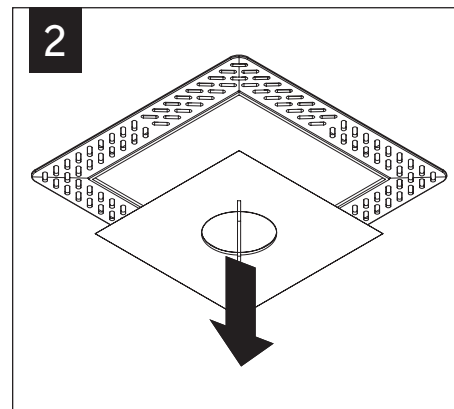
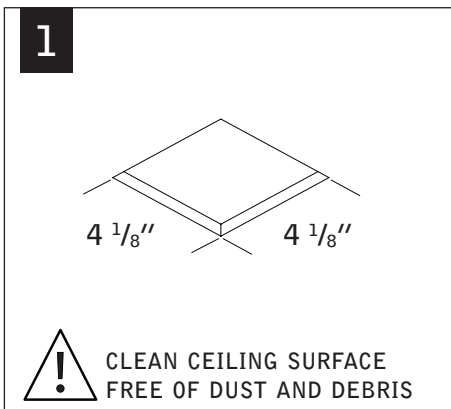
WOOD STUDS



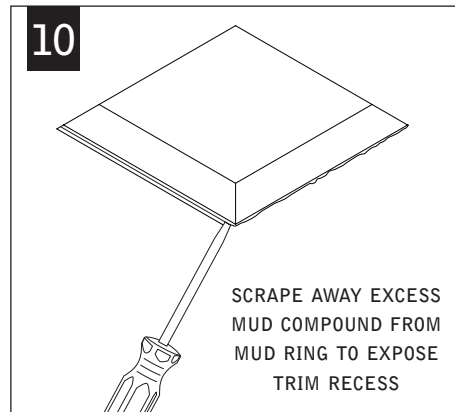
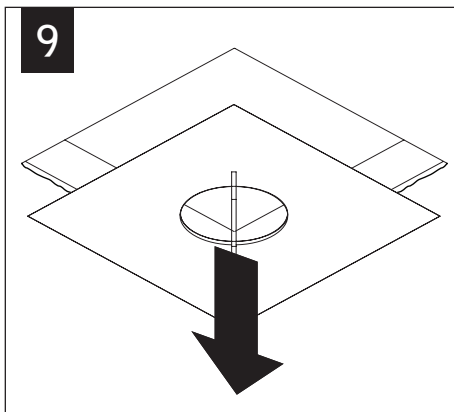
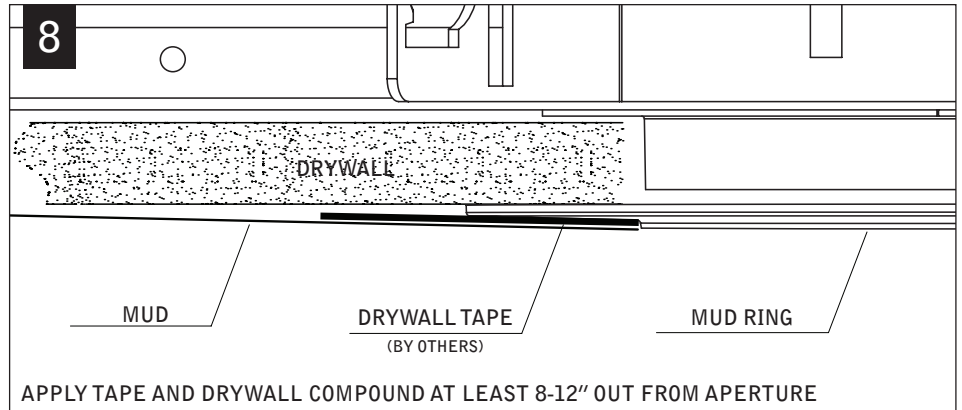
METAL STUDS



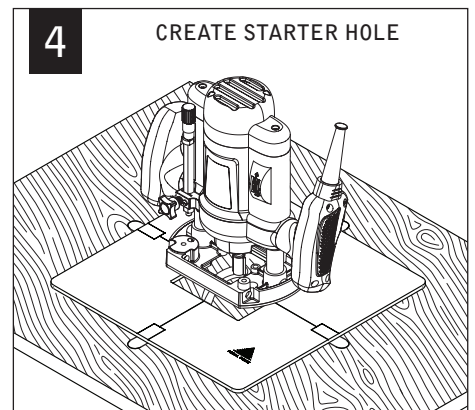
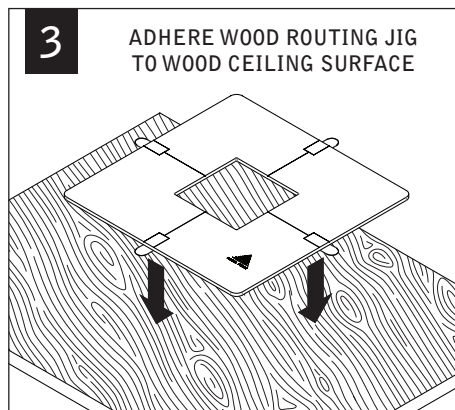
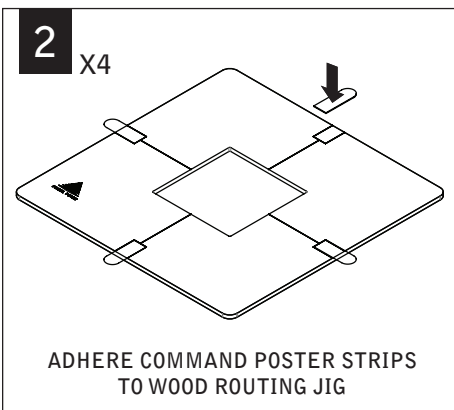
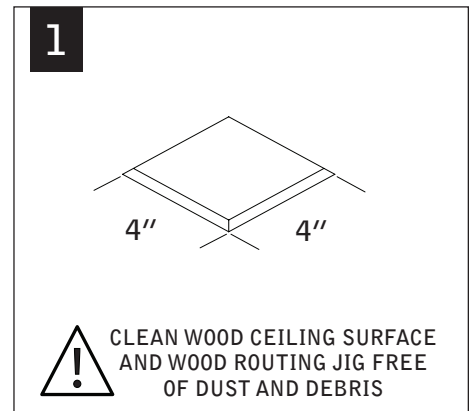
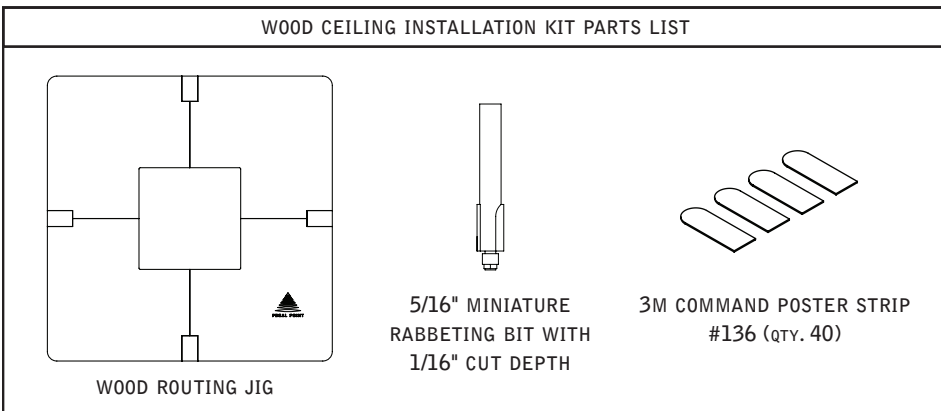
MUD-IN



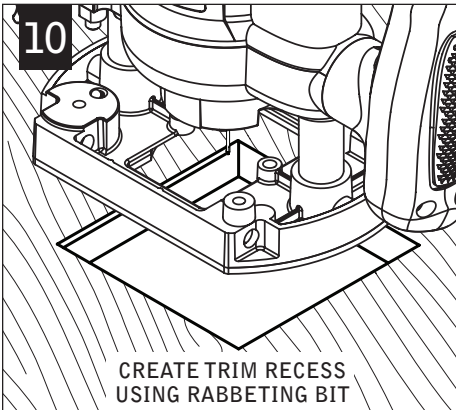
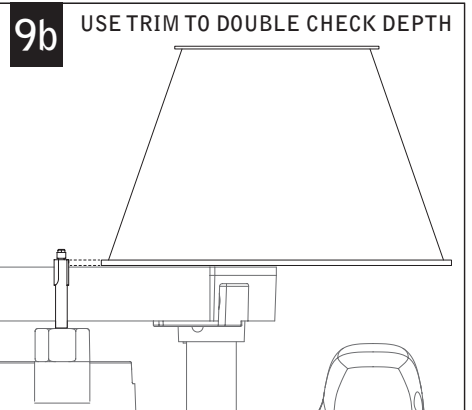
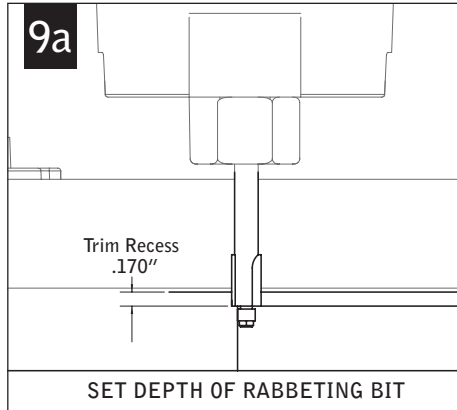
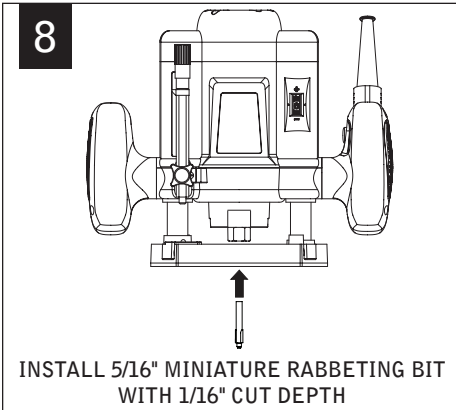
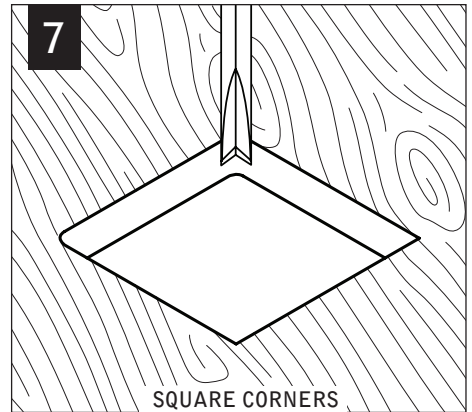
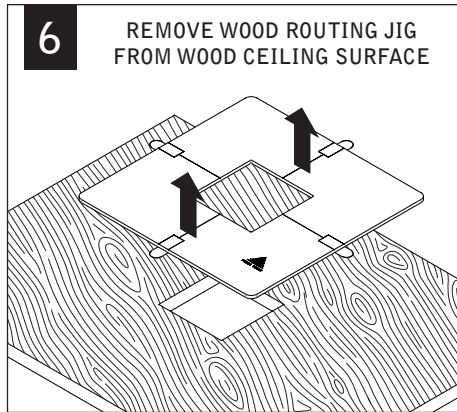
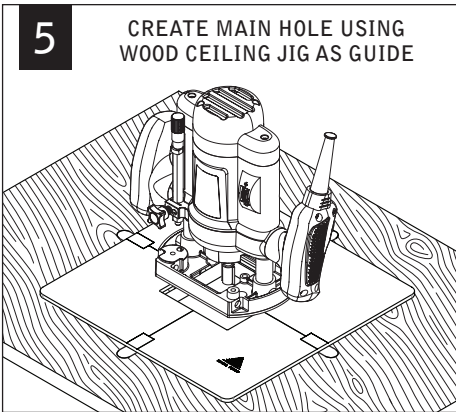
Fixtures must be installed by a qualified electrician (check with local and national codes for proper installation).
To prevent electrical shock, disconnect electrical supply before installation or servicing.



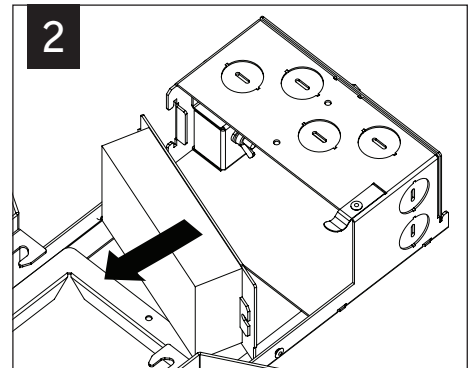
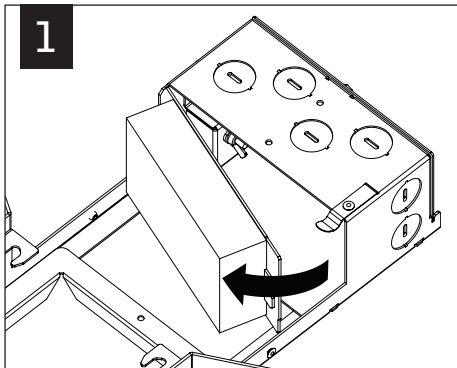
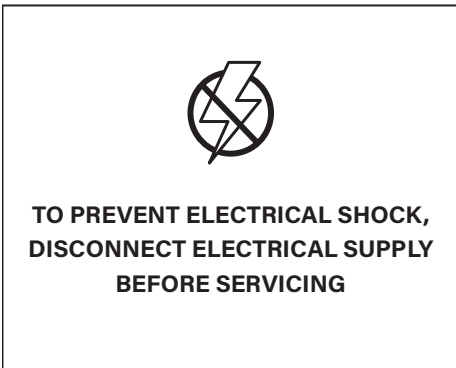
WOOD CEILING



Fixtures must be installed by a qualified electrician (check with local and national codes for proper installation).
To prevent electrical shock, disconnect electrical supply before installation or servicing.



DRIVER SERVICE



Contractor is responsible for adequately reinforcing walls and/or ceilings to support fixture weight. Focal Point, LLC accepts no responsibility for inadequately reinforced walls and/or ceilings. The information contained in this drawing is the sole property of Focal Point, LLC. Any reproduction in part or whole without the written permission of Focal Point, LLC is prohibited.