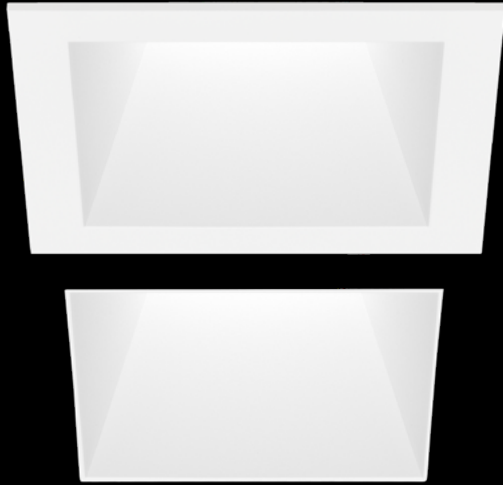


ID+ 3.5" x 3.5"

OVERLAP & TRIMLESS LED DOWNLIGHTS



FOCAL POINT®



Solite Trim



clear diffuse



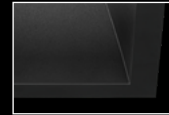
warm diffuse



white painted



The Naturals collection - Chestnut shown



black painted



optional painted flange



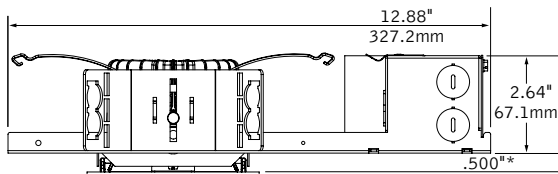
Wall Wash companion



Adjustable Accent companion

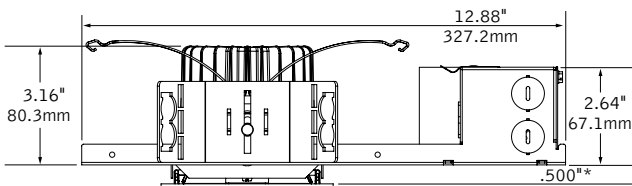
DIMENSIONAL DATA

Very Shallow Housing - 60° and 75° cut-off reflectors

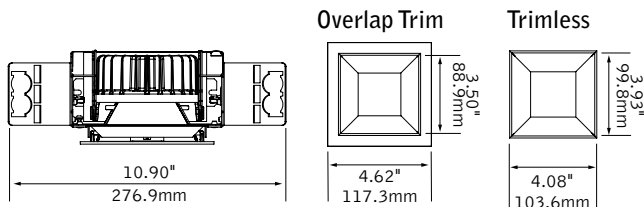


Housing height with DALI, Lutron & LZ1 drivers is 3.0"

Shallow Housing - 50° cut-off reflector



*Field adjustability of ceiling thickness from 0.5" - 1.5".



FEATURES

Less than 2.64" low profile housing available.

50°, 60° and 75° cut-off reflector options available.

25° to 90° beam spreads support accent lighting, task lighting and general illumination.

Solite lens with die-cast trim allows for a coordinated aesthetic with ID+ 3.5" Adjustable Accent and delivers 70° or 90° beam spread options.

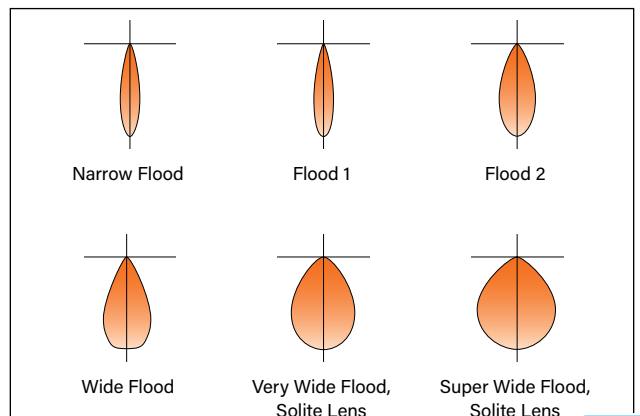
Tunable White: Supports human activity, well-being, and preferences with a light quality that evolves throughout the day.

Warm Dim: Lighting that enhances spaces with a warm glow, reminiscent of incandescent or halogen light sources.

PoE compatible: Integrates with Power over Ethernet lighting systems via standard, low-voltage wires.

Available with The Naturals, a series of finishes that exude biophilic beauty.

DISTRIBUTIONS



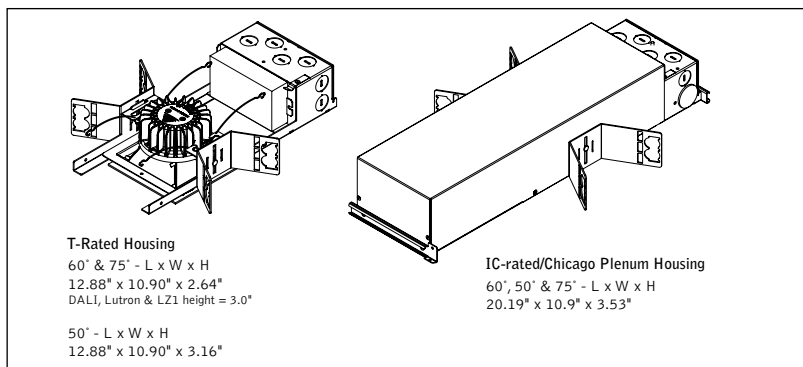
Based on Overlap Trim, Tall Cone except Solite Lens versions, Clear Diffuse. Photometric performance is measured in accordance with IESNA LM-79. Visit focalpointlights.com for complete photometric data. Visit energystar.gov for model specifics.



fixture:

project:

STANDARD WHITE HOUSING DETAILS



3.5" SQUARE DOWNLIGHT OPTICS

Optic	Cut-Off Degree	Trim Type	Distribution Beam Spread Spacing Criteria						
			NFL	FL1	FL2	WFL	VWFL	SWFL	
DNT	50°	Overlap	25° 0.42	34° 0.56	44° 0.70	52° 0.85	64° 0.97	-	
		Trimless	24° 0.41	34° 0.56	45° 0.70	58° 0.86	66° 0.99	-	
DNS	60°	Overlap	24° 0.41	34° 0.56	45° 0.70	59° 0.86	72° 1.01	-	
		Trimless	24° 0.40	34° 0.56	45° 0.70	60° 0.88	69° 1.07	-	
DSS	75°	Overlap	-	-	-	-	69° 0.99	92° 1.21	
		Trimless	-	-	-	-	72° 0.99	92° 1.26	

3.5" SQUARE DOWNLIGHT PERFORMANCE TABLES

Based on Overlap, Tall Cone, Wide Flood, Clear Diffuse. Delivered lumen output may vary +/- 5%. Actual wattage may vary +/- 5%

STANDARD WHITE				
CCT	Lumen Output	Delivered Lumens	System Watts	LPW
3500K, 80CRI	700L	722	8	91
	900L	937	10	93
	1100L	1130	12	96
	1300L	1355	16	84
	1500L	1539	18	86
	1700L	1751	20	86
	1900L	1925	22	87
	2100L	2159	25	87

STANDARD WHITE

HOUSING ORDERING

Housing Series

ID+ 3.5" Square

FLC33D

FLC33D

Trim Type

Square Die-Cast Overlap

SDO

Square Die-Cast Trimless

SDT

Color Options

Standard White, 80 & 90 CRI

SW

High 97 CRI

HC

Lumen Output

700 Lumen (Not available with Lutron or LFP)

700L

900 Lumen (Not available with LFP)

900L

1100 Lumen

1100L

1300 Lumen

1300L

1500 Lumen

1500L

1700 Lumen

1700L

1900 Lumen

1900L

2100 Lumen

2100L

Voltage

120/277 Volt

UNV

(IC-rated housing: SW - 1700lm max., HC - 1500lm max. T-rated & TW housings: SW - 1100lm max., HC - 900lm max.)

120V

120

277V

277

Low Voltage

LV

(IC-rated housing: SW - 1700lm max., HC - 1500lm max. T-rated & TW housings: SW - 1100lm max., HC - 900lm max.)

Control System & Dimming Level

0-10V <1% Dimming

LZ1

0-10V - 1% Dimming

L11

0-10V - 10% Dimming

LD1

Low Voltage, PoE Compatible

(No driver. Not available with EMR. LV voltage only)

LVN

Forward Phase (120V only)

LFP

Lutron Hi-Lume EcoSystem (LDE1) - 1% Dimming

LH1

DALI <1% Dimming

DZ1

DALI - 1% Dimming

D11

Housing Type

IC-Rated / Airtight

IC

Thermally Protected, Non-IC / Airtight

T

Thermally Protected, Non-IC Wood

TW

(Trimless only. Wood kit required)

Factory Options

Bar Hangers

BH

Chicago Plenum

CP

Emergency Battery - Remote test switch

EMR

(Overlap trim only. Not available with CP or IC-rated housing. Above ceiling access required.)

Outdoor Rated

OD

(LD1 driver and T-rated housing only. Not available with CP or EMR. See dimming performance table on page 5.)

TRIM & LED MODULE

Aperture

3.5" Square Reflector

LC33

LC33

Trim Type

Square Die-Cast Overlap

SDO

Square Die-Cast Trimless

SDT

Color Options

(Trim & housing must match)

Standard White, 80 & 90 CRI

SW

High 97 CRI

HC

Lumen Output

(Trim & housing output must match)

700 Lumen

700L

900 Lumen

900L

1100 Lumen

1100L

1300 Lumen

1300L

1500 Lumen

1500L

1700 Lumen

1700L

1900 Lumen

1900L

2100 Lumen

2100L

Color Temperature

(Add 9 for 90 CRI or H for 97 CRI. Leave blank for 80 CRI. Examples: 2700K, 97 CRI = H27K. 2700K, 80 CRI = 27K.)

2700K, 80/90/97+ CRI

_27K

3000K, 80/90/97+ CRI

_30K

3500K, 80/90/97+ CRI

_35K

4000K, 80/90/97+ CRI

_40K

Optic

Tall Cone with 50° cut-off

DNT

Short Cone with 60° cut-off

DNS

Super Short Cone with Solite Lens 75° cut-off

DSS

(VWFL or SWFL only)

Distribution

Narrow Flood

NFL

Flood 1

FL1

Flood 2

FL2

Wide Flood

WFL

Very Wide Flood

VWFL

Super Wide Flood (DSS Optic only)

SWFL

Finish

(See finishes page for The Naturals options)

Clear Diffuse

CD

Warm Diffuse

WD

Black

BK

White

WH

Optional Flange Finish

(Overlap CD & WD finish only) (For matching finishes leave blank)

Black Painted

BP

White Painted

WP

ACCESSORIES

Trimless Wood Ceiling Installation Kit

LC33-

(One kit recommended per 10 downlights)

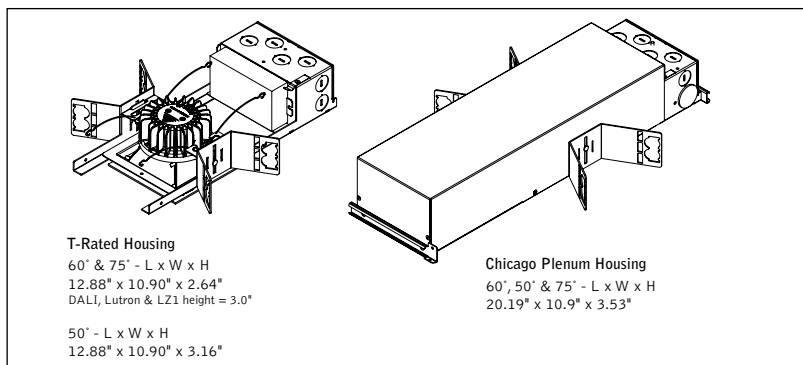
WOOD-KIT

QS 5 DAY* Options in orange qualify for 5-day Quickship up to 200 pieces. See Quickship Guide for more details.

fixture:

project:

WARM DIM HOUSING DETAILS



3.5" SQUARE DOWNLIGHT OPTICS

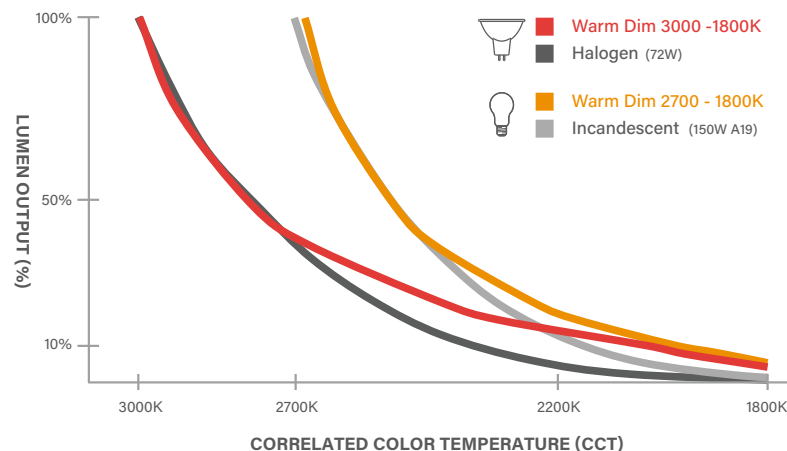
Optic	Cut-Off Degree	Trim Type	Distribution Beam Spread Spacing Criteria						
			NFL	FL1	FL2	WFL	VWFL	SWFL	
DNT	50°	Overlap	25° 0.42	34° 0.56	44° 0.70	52° 0.85	64° 0.97	-	
		Trimless	24° 0.41	34° 0.56	45° 0.70	58° 0.86	66° 0.99	-	
DNS	60°	Overlap	24° 0.41	34° 0.56	45° 0.70	59° 0.86	72° 1.01	-	
		Trimless	24° 0.40	34° 0.56	45° 0.70	60° 0.88	69° 1.07	-	
DSS	75°	Overlap	-	-	-	-	69° 0.99	92° 1.21	
		Trimless	-	-	-	-	72° 0.99	92° 1.26	

3.5" SQUARE DOWNLIGHT PERFORMANCE TABLE

Based on Overlap, Tall Cone, Wide Flood, Clear Diffuse. Delivered lumen output may vary +/- 5%. Actual wattage may vary +/- 5%

WD WARM DIM				
CCT Range	Lumen Output	Delivered Lumens	System Watts	LPW
2700 - 1800K	1500L	1455	25	58
3000 - 1800K	1500L	1485	25	59

The 3000K to 1800K and 2700K to 1800K ranges mimic the black body curves of halogen and incandescent light sources, respectively.



WARM DIM

HOUSING ORDERING

Housing Series
 ID+ 3.5" Square **FLC33D**

Trim Type
 Square Die-Cast Overlap **SDO**
 Square Die-Cast Trimless **SDT**

Color Options
 Warm Dim **WDM**

Lumen Output
 1500 Lumen **1500L**

Voltage
 120V 120
 277V 277

Control System & Dimming Level

0-10V <1% Dimming **LZ1**
 0-10V - 1% Dimming **L11**
 0-10V - 10% Dimming **LD1**
 Forward Phase (120V only) **LFP**
 Lutron Hi-Lume EcoSystem (LDE1) - 1% Dimming **LH1**
 DALI <1% Dimming **DZ1**
 DALI - 1% Dimming **D11**

Housing Type

IC-Rated / Airtight **IC**
 Thermally Protected, Non-IC / Airtight **T**
 Thermally Protected, Non-IC Wood **TW**
(Trimless only. Wood kit required)

Factory Options

Bar Hangers **BH**
 Chicago Plenum **CP**
 Outdoor Rated **OD**

(LD1 driver and T-rated housing only. Not available with CP or EMR. See dimming performance table on page 5.)

TRIM & LED MODULE

Aperture
 3.5" Square Reflector **LC33**

Trim Type
 Square Die-Cast Overlap **SDO**
 Square Die-Cast Trimless **SDT**

Color Options
 Warm Dim **WDM**

Lumen Output
 1500 Lumen **1500L**

Color Temperature

Warm Dim: 2700-1800K, 90+ CRI **92718W**
 Warm Dim: 3000-1800K, 90+ CRI **93018W**

Optic

Tall Cone with 50° cut-off **DNT**
 Short Cone with 60° cut-off **DNS**
 Super Short Cone with Solite Lens 75° cut-off **DSS**
(VWFL or SWFL only)

Distribution

Narrow Flood **NFL**
 Flood 1 **FL1**
 Flood 2 **FL2**
 Wide Flood **WFL**
 Very Wide Flood **VWFL**
 Super Wide Flood (DSS Optic only) **SWFL**

Finish

(See finishes page for The Naturals options)

Clear Diffuse **CD**
 Warm Diffuse **WD**
 Black **BK**
 White **WH**

Optional Flange Finish

(Overlap CD & WD finish only) (For matching finishes leave blank)

Black Painted **BP**
 White Painted **WP**

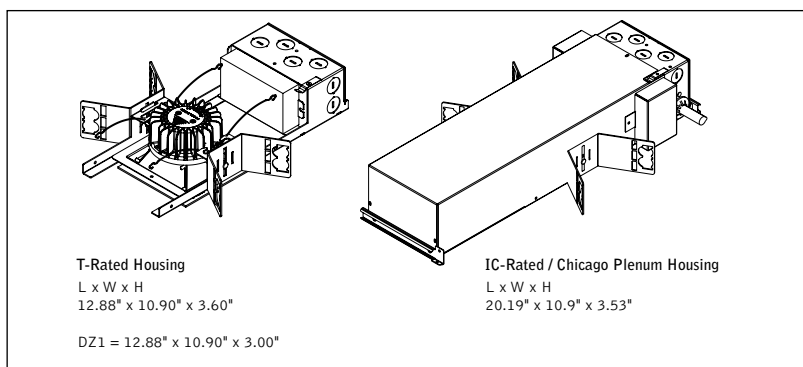
ACCESSORIES

Trimless Wood Ceiling Installation Kit **LC33-WOOD-KIT**
(One kit recommended per 10 downlights)



TUNABLE WHITE

TUNABLE WHITE HOUSING DETAILS



HOUSING ORDERING

Housing Series ID+ 3.5" Square	FLC33D	FLC33D
Trim Type Square Die-Cast Overlap Square Die-Cast Trimless	SDO SDT	
Color Options Tunable White: 1800-4000K (900L max. T-rated housings only) Tunable White: 2700-5000K Tunable White: 2700-6500K	1840T 2750T 2765T	
Lumen Output 700 Lumen 900 Lumen 1100 Lumen 1300 Lumen	700L 900L 1100L 1300L	
Voltage 120/277 Volt (2705T & 2765T only. IC housing only.) 120V 277V Low Voltage (2705T & 2765T only. IC housing only.)	UNV 120 277 LV	

3.5" SQUARE DOWNLIGHT OPTICS

Optic	Cut-Off Degree	Trim Type	Distribution Beam Spread Spacing Criteria						SWFL
			NFL	FL1	FL2	WFL	VWFL	SWFL	
DNT	50°	Overlap	25° 0.42	34° 0.56	44° 0.70	52° 0.85	64° 0.97	-	
		Trimless	24° 0.41	34° 0.56	45° 0.70	58° 0.86	66° 0.99	-	
DNS	60°	Overlap	24° 0.41	34° 0.56	45° 0.70	59° 0.86	72° 1.01	-	
		Trimless	24° 0.40	34° 0.56	45° 0.70	60° 0.88	69° 1.07	-	
DSS	75°	Overlap	-	-	-	-	69° 0.99	92° 1.21	
		Trimless	-	-	-	-	72° 0.99	92° 1.26	

Control System & Dimming Level

0-10V <1% Dimming DALI <1% Dimming (Default driver offers DT6 control. It requires two addresses, one for intensity & one for CCT tuning. Consult factory for DT8. Extended lead time apply.)	LZ1 DZ1
Low Voltage, PoE Compatible (No driver. Not available with EMR. LV voltage only.)	LVN

Housing Type

IC-Rated / Airtight (700L only, 2750T or 2765T only)	IC
Thermally Protected, Non-IC / Airtight	T
Thermally Protected, Non-IC Wood (Trimless only. Wood kit required.)	TW

Factory Options

Bar Hangers	BH
Chicago Plenum (2750T & 2765T; 1100L max. 1840T: 700L only.)	CP
Emergency Battery - Remote test switch (Overlap trim only. Not available with CP or IC-rated housing. Above ceiling access required.)	EMR

3.5" SQUARE DOWNLIGHT PERFORMANCE TABLES

Based on Overlap, Tall Cone, Wide Flood, Clear Diffuse. Delivered lumen output may vary +/- 5%. Actual wattage may vary +/- 5%

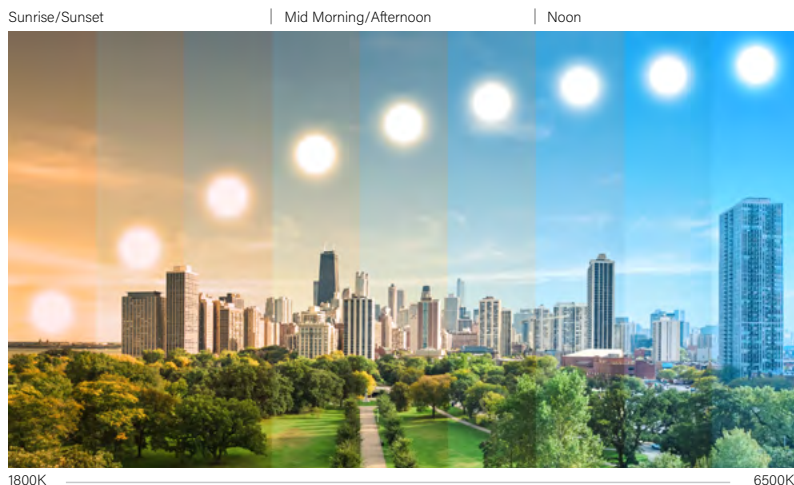
TUNABLE WHITE				
CCT	Lumen Output	Delivered Lumens	System Watts	LPW
2700K (2700-5000K & 2700-6500K)	700L	694	13	52
	900L	902	17	54
	1100L	1112	21	53
	1300L	1307	24	53
1800K (1800-4000K)	700L	701	20	36
	900L	894	25	36

TRIM & LED MODULE

Aperture 3.5" Square Reflector	LC33	LC33
Trim Type Square Die-Cast Overlap Square Die-Cast Trimless	SDO SDT	
Color Options (Trim & housing must match) Tunable White: 1800-4000K Tunable White: 2700-5000K Tunable White: 2700-6500K	1840T 2750T 2765T	
Lumen Output (Trim & housing must match) 700 Lumen 900 Lumen 1100 Lumen 1300 Lumen	700L 900L 1100L 1300L	
Color Temperature Tunable White: 1800-4000K, 90+ CRI Tunable White: 2700-5000K, 90+ CRI Tunable White: 2700-6500K, 90+ CRI	91840T 92750T 92765T	

The Comfort (1800K-4000K), Preference (2700K-5000K), and Activity (2700K-6500K) ranges give specifiers the tools to enhance spaces, mood, and alertness.

DAYLIGHT RANGE



Optic Tall Cone with 50° cut-off Short Cone with 60° cut-off Super Short Cone with Solite Lens 75° cut-off (VWFL or SWFL only)	DNT DNS DSS
Distribution Narrow Flood Flood 1 Flood 2 Wide Flood Very Wide Flood Super Wide Flood (DSS Optic only)	NFL FL1 FL2 WFL VWFL SWFL
Finish (See finishes page for The Naturals options) Clear Diffuse Warm Diffuse Black White	CD WD BK WH
Optional Flange Finish (Overlap CD & WD finish only) (For matching finishes leave blank) Black Painted White Painted	BP WP

ACCESSORIES

Trimless Wood Ceiling Installation Kit (One kit recommended per 10 downlights)	LC33- WOOD-KIT
---	-------------------

HOUSING SPECIFICATIONS

Construction

Thermally protected housing for new construction applications. Insulation to be kept 3" away from housing. Type IC inherently protected, suitable for direct contact with insulation. Restrictive airflow per ASTM-E283. Butterfly brackets allow mounting to 1/2" emt. Order bar hangers as an accessory. Die-cast aluminum heat sink designed for maximum thermal dissipation. Die-formed housing and integral junction box with (7) 1/2" pry outs. Accommodates ceiling thicknesses up to 0.5" standard, field adjustable up to 1.5" thickness. For thicker ceiling consult factory. Fixture will not exceed 5 lb. Trim is inherently airtight and may be used to obtain airtight rating when used with IC-rated or thermally protected, non-IC (T) housings.

Electrical

Choice of constant current dimming drivers. Power factor > .9 typical. PoE compatible: Integrates with Power over Ethernet lighting systems via standard, low-voltage wires.

Emergency

Above ceiling access required. Overlap trim only. Emergency output - 7W for 90 minutes. Maximum mounting height — Clear Diffuse & White: 22.5ft. Black & Warm Diffuse: 15.3ft.

Labels

UL and cUL Listed. Suitable for Dry, Damp or Wet Locations, indoor use only. Specify Outdoor rated (OD) for outdoor recessed ceiling applications.

Outdoor Rated (OD) Driver Dimming Performance table

Lumen Output	Minimum Dimming Level
700L	20%
900L	16%
1100L	13%
1300L	10%
1500L	10%
1700L	10%
1900L	10%
2100L	10%

Color Lumen Multipliers

CRI	STANDARD WHITE CCT				WARM DIM CCT RANGES		TUNABLE WHITE CCT RANGES		
	2700	3000	3500	4000	2700-1800K	3000-1800K	1800-4000K	2700-5000K	2700-6500K
80+	0.92	0.98	1.00	1.01	-	-	-	-	-
90+	0.79	0.83	0.82	0.84	0.97	0.99	1.00	1.00	1.00
97	0.67	0.72	0.73	0.76	-	-	-	-	-

Distribution Lumen Multipliers

Trim Type	Optic	Distribution	Multiplier
Square Die-Cast Trimless [SDT]	Tall Cone with 50° cut-off [DNT]	Narrow Flood [NFL]	0.93
		Flood 1 [FL1]	1.00
		Flood 2 [FL2]	0.92
		Wide Flood [WFL]	1.13
		Very Wide Flood [VWFL]	0.90
	Short Cone with 60° cut-off [DNS]	Narrow Flood [NFL]	0.95
		Flood 1 [FL1]	1.03
		Flood 2 [FL2]	0.98
		Wide Flood [WFL]	0.96
		Very Wide Flood [VWFL]	1.24
Square Die-Cast Overlap [SDO]	Tall Cone with 50° cut-off [DNT]	Narrow Flood [NFL]	0.94
		Flood 1 [FL1]	1.00
		Flood 2 [FL2]	0.93
		Wide Flood [WFL]	1.03
		Very Wide Flood [VWFL]	0.86
	Short Cone with 60° cut-off [DNS]	Narrow Flood [NFL]	0.95
		Flood 1 [FL1]	1.02
		Flood 2 [FL2]	0.97
		Wide Flood [WFL]	0.94
		Very Wide Flood [VWFL]	0.98
Square Die-Cast Trimless [SDT]	Super Short Cone with Solite Lens with 75° cut-off [DSS]	Very Wide Flood [VWFL]	1.07
		Super Wide Flood [SWFL]	1.02
Square Die-Cast Overlap [SDO]	Super Short Cone with Solite Lens with 75° cut-off [DSS]	Very Wide Flood [VWFL]	1.03
		Super Wide Flood [SWFL]	0.98

Lumen Maintenance

Reported: L70 at >55,000 hours Calculated: L70 at 204,000 hours
L90 at >55,000 hours L90 at 59,000 hours

Derived from EPA TM-21 calculator. Based on typical conditions, consult factory for additional data.

Reliability

At Focal Point, our products are designed to stand the test of time. Each luminaire is engineered using superior components, manufactured with the utmost care and rigorously tested. Contact us for reliability data.

Warranty

LED System rated for operation in ambient environments up to 25°C. 5-year limited warranty. Fixture with Outdoor rated option must be installed in a covered ceiling and is warranted for operation in ambient environments between -20°C to +40°C.

TRIM & LED SPECIFICATIONS

LED System

Proprietary array incorporates premium LEDs on a robust platform. May be specified in 2700K, 3000K, 3500K or 4000K, Warm Dimming (2700K-1800K and 3000K-1800K), or Tunable White (1800K-4000K, 2700K-5000K and 2700K-6500K), CRI>80, >90 or 97. 3500K and 4000K with CRI>90 have a cyanosis observation index (COI) of 3.3 or less. Color accuracy within 2 SDCM (Warm Dimming from 3-5 SDCM). Aluminum heat sink provides appropriate thermal management.

Aesthetics

Die-formed aluminum reflector ensures glare free optics. Torsion springs pull trim tight to the ceiling with no visible fasteners within the trim. The Naturals: 100% low VOC vinyl.

Optics

50-degree, 60-degree or 75-degree cut-off to light source and its image.

Color Lumen Multipliers

Trim Type	Optic	Color	Multiplier
ALL	Tall Cone with 50° cut-off [DNT]	Clear Diffuse [CD]	1.00
		Warm Diffuse [WD]	1.01
		White [WH]	1.23
		Black [BK]	0.79
	Short Cone with 60° cut-off [DNS]	Clear Diffuse [CD]	1.00
		Warm Diffuse [WD]	0.89
		White [WH]	0.97
	Super Short Cone with Solite Lens with 75° cut-off [DSS]	Black [BK]	0.83
		Clear Diffuse [CD]	1.00
		Warm Diffuse [WD]	0.99
ALL	ALL	White [WH]	1.15
		Black [BK]	0.88
		Woven Linen [WLN]	0.93
		Walnut [WLT]	0.45
		Gray Elm [GRE]	0.72
		Chestnut [CHT]	0.75
		Light Oak [LOK]	0.90

How To Use Lumen Multipliers

Formula:
(Lumen Output Value) x (Color Temperature & CRI) x (Distribution) x (Color)

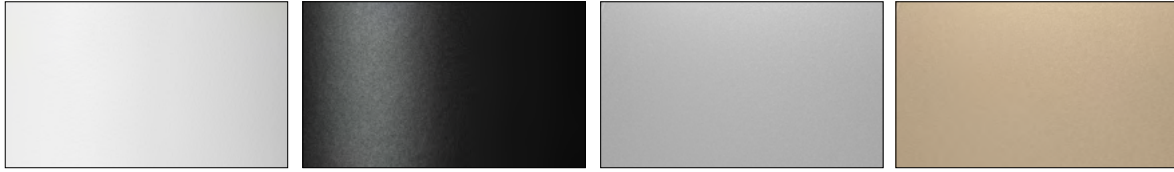
Example:
LC33-SDO-SW-1100L-935K-DNS-FL1-WH
(1100) x (0.81) x (1.02) x (0.97) ≈ 882lm (estimated delivered lumens)

Multiplier charts are provided to aid with estimation of lumen levels across options. Apply multipliers against ordered Lumen Output to estimate Delivered Lumens. An estimation should make use of all tables through consecutive application of three multipliers. Refer to IES files for most accurate photometric information.

Finishes



STANDARD FINISHES



WHITE WH BLACK BK CLEAR DIFFUSE CD WARM DIFFUSE WD

THE NATURALS (25% SCALE)



LIGHT OAK LOK GRAY ELM GRE CHESTNUT CHT WALNUT WLT WOVEN LINEN WLN