

ID+ 2.5" x 2.5"

OVERLAP & TRIMLESS LED WALL WASH



FOCAL POINT®



White painted



Clear diffuse



Warm diffuse



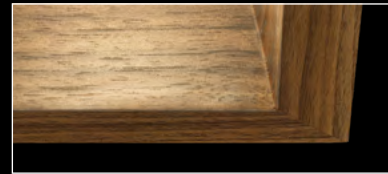
Black painted



Optional painted flange

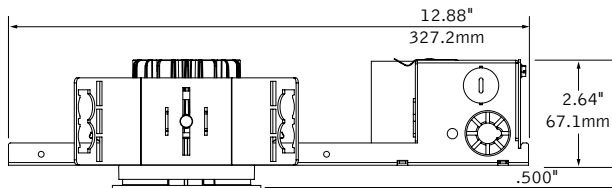


Downlight companion

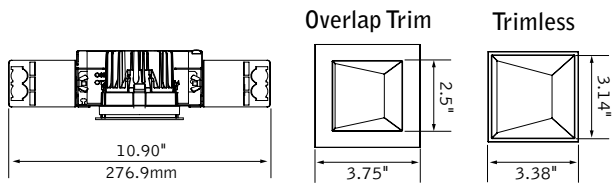


The Naturals collection - Walnut shown

DIMENSIONAL DATA



Field adjustability of ceiling thickness from 0.5" - 1.5"
Housing height with DALI, Lutron & LZ1 drivers is 3.0"



FEATURES

Less than 2.64" low profile housing available.

60° cut-off reflector.

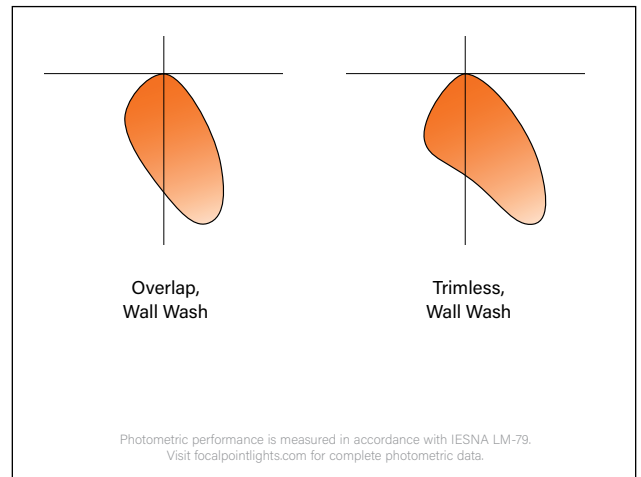
Warm Dim: Lighting that enhances spaces with a warm glow, reminiscent of incandescent or halogen light sources.

PoE compatible: Integrates with Power over Ethernet lighting systems via standard, low-voltage wires.

Configurations available for Title 24 JA8 High Efficacy Lighting compliance.

Available with The Naturals, a series of finishes that exude biophilic beauty.

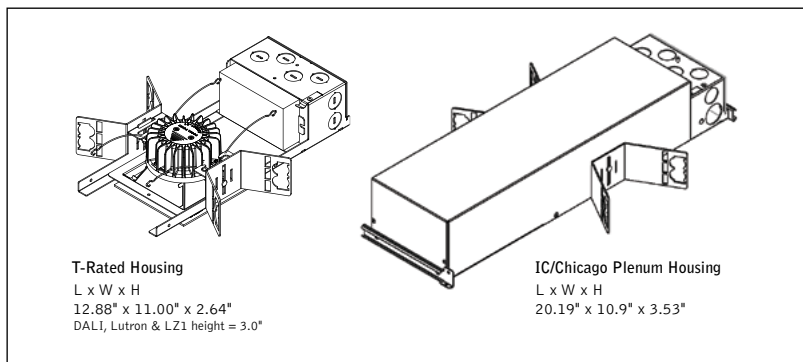
DISTRIBUTIONS



fixture:

project:

HOUSING DETAILS



HOUSING SPECIFICATIONS

Construction

Thermally protected housing for new construction applications. Insulation to be kept 3" away from housing. Type IC inherently protected, suitable for direct contact with insulation. Restrictive airflow per ASTM-E283. Trim is inherently airtight and may be used to obtain airtight rating when used with IC-rated or thermally protected, non-IC (T) housings. Butterfly brackets allow mounting to 1/2" emt. Order bar hangers as an accessory. Die-cast aluminum heat sink designed for maximum thermal dissipation. Die-formed housing and integral junction box with (7) 1/2" pry outs. Accommodates ceiling thicknesses up to 0.5" standard, field adjustable up to 1.5" thickness. For thicker ceiling consult factory. Fixture will not exceed 5 lb.

Electrical

Choice of constant current dimming drivers. Power factor > .9 typical. PoE compatible: Integrates with Power over Ethernet lighting systems via standard, low-voltage wires.

Labels

UL and cUL Listed. Suitable for Dry, Damp or Wet Locations, indoor use only. Specify Outdoor rated (OD) for outdoor recessed ceiling applications. Configurations available for Title 24 JA8 compliance, consult the JA8 High Efficacy Lighting Reference Guide for options. JA8 factory option must be specified to ensure Title 24 JA8 compliance.

Lumen Maintenance

Reported: L70 at >55,000 hours Calculated: L70 at 204,000 hours
L90 at >55,000 hours L90 at 59,000 hours

Derived from EPA TM-21 calculator. Based on typical conditions, consult factory for additional data.

Reliability

At Focal Point, our products are designed to stand the test of time. Each luminaire is engineered using superior components, manufactured with the utmost care and rigorously tested. Contact us for reliability data.

Warranty

LED System rated for operation in ambient environments up to 25°C. 5-year limited warranty. Fixture with Outdoor rated option must be installed in a covered ceiling and is warranted for operation in ambient environments between -20°C to +40°C.

TRIM & LED SPECIFICATIONS

LED System

Proprietary array incorporates premium LEDs on a robust platform. May be specified in 2700K, 3000K, 3500K or 4000K, or Warm Dimming (2700K-1800K and 3000K-1800K), CRI>80, >90 or 97. Color accuracy within 2 SDCM (Warm Dimming from 3-5 SDCM). Aluminum heat sink provides appropriate thermal management.

Aesthetics

Die-cast aluminum trims. Overlap trims are self-flanged.

Optics

Wall wash features three layers of acrylic diffusers and an optic to provide premier performance.

PERFORMANCE TABLE

	Lumen Output	Delivered Lumens	System Watts	LPW
	500L	551	16.6	33
	500L	532	8.9	60
	700L	733	12.1	61
	900L	946	17.8	53
	1100L	1163	21.9	53

Based on Overlap, Short cone, 3500K, 80 CRI, Clear Diffuse. WDM based on 3000 - 1800K, 90 CRI. Delivered lumen output may vary +/- 5%. Actual wattage may vary +/- 5%

Focal Point LLC reserves the right to change specifications for product improvement without notification.

HOUSING ORDERING

Housing Series	FLC22W
ID+ 2.5" Square	FLC22W
Trim Type	
Square Overlap	SDO
Square Trimless	SDT
Color Options	
Standard White, 80 & 90 CRI	SW
High 97 CRI	HC
Warm Dim	WDM
<small>(500L only. UNV & LV not available.)</small>	
Lumen Output	
500 Lumen	500L
<small>(Not available with LH1)</small>	
700 Lumen	700L
900 Lumen	900L
1100 Lumen	1100L
Voltage	
120/277 Volt	UNV
<small>(IC-rated housing: SW & HC: 900L max. T & TW housings: SW: 700L max., HC: 500L only.)</small>	
120V	120
277V	277
Low Voltage	LV
<small>(IC-rated housing: SW & HC: 900L max. T & TW housings: SW: 700L max., HC: 500L only.)</small>	
Control System & Dimming Level	
0-10V <1% Dimming	LZ1
0-10V - 1% Dimming	L11
0-10V - 10% Dimming	LD1
Low Voltage, PoE Compatible	LVN
<small>(No driver. LV voltage only.)</small>	
Forward Phase <small>(120V only)</small>	LFP
Lutron Hi-Lume EcoSystem (LDE1) - 1% Dimming	LH1
DALI <1% Dimming	DZ1
DALI - 1% Dimming	D11
Housing Type	
IC Rated / Airtight <small>(900L max.)</small>	IC
Thermally Protected, Non-IC	T
Thermally Protected, Non-IC Wood	TW
<small>(Trimless only. Wood kit required)</small>	
Factory Options	
Bar Hangers	BH
Chicago Plenum	CP
Outdoor Rated	OD
<small>(LD1 driver and T-rated housing only. Not available with CP. See dimming performance table on page 3.)</small>	
Title 24 / JA8 Compliant	JA8
<small>(Consult JA8 Reference Guide for available options.)</small>	
TRIM & LED MODULE	
Aperture	LC22
2.5" Square Reflector	LC22
Trim Type	
Square Overlap	SDO
Square Trimless	SDT
Lumen Output	
<small>(Trim & housing output must match)</small>	
500 Lumen	500L
700 Lumen	700L
900 Lumen	900L
1100 Lumen	1100L
Color Temperature	
<small>(Add 9 for 90 CRI or H for 97 CRI. Leave blank for 80 CRI. Examples: 2700K, 97 CRI = H27K. 2700K, 80 CRI = 27K.)</small>	
2700K, 80/90/97+ CRI	_27K
3000K, 80/90/97+ CRI	_30K
3500K, 80/90/97+ CRI	_35K
4000K, 80/90/97+ CRI	_40K
Warm Dim: 2700-1800K, 90+ CRI	92718W
Warm Dim: 3000-1800K, 90+ CRI	93018W
Optic	WW
Wall Wash	WW
Finish	
<small>(See finishes page for The Naturals options)</small>	
Clear Diffuse	CD
Warm Diffuse	WD
Black	BK
White	WH
Optional Flange Finish	
<small>(Overlap CD & WD finish only) (For matching finishes leave blank)</small>	
Black Painted	BP
White Painted	WP
Factory Options	
Title 24 / JA8 Compliant <small>(Trim & housing must match.)</small>	JA8
ACCESSORIES	
Trimless Wood Ceiling Installation Kit	LC22- WOOD-KIT
<small>(One kit recommended per 10 downlights)</small>	

OUTDOOR RATED (OD) DRIVER DIMMING PERFORMANCE TABLE

Lumen Output	Minimum Dimming Level
500L	14%
700L	10%
900L	10%
1100L	10%

2.5" SQUARE WALL WASH LUMEN MULTIPLIER TABLE

Color Temperature & CRI

Trim Type	Optic	Color Temperature & CRI	Multiplier
ALL	Wall Wash [WW]	2700K 80+ CRI [27K]	0.93
		2700K 90+ CRI [927K]	0.75
		2700K 97 CRI [H27K]	0.67
		3000K 80+ CRI [30K]	0.93
		3000K 90+ CRI [930K]	0.81
		3000K 97 CRI [H30K]	0.72
		3500K 80+ CRI [35K]	1.00
		3500K 90+ CRI [935K]	0.81
		3500K 97 CRI [H35K]	0.73
		4000K 80+ CRI [40K]	1.00
		4000K 90+ CRI [940K]	0.87
		4000K 97 CRI [H40K]	0.75
2700-1800K	90+ CRI [92718K]	1.06	
3000-1800K	90+ CRI [93018K]	1.10	

How To Use Lumen Multipliers

Formula:
 (Lumen Output Value) x
 (Color Temperature & CRI) x
 (Distribution) x
 (Color)

Distribution

Trim Type	Optic	Multiplier
Square Trimless [SDT]	Wall Wash [WW]	1.14
Square Overlap [SDO]		1.06

Example:

LC22W-SDO-SW-700L-935K-WW-WH
 (700) x (0.82) x (1.06) x (1.08) = 657lm
 (estimated delivered lumens)

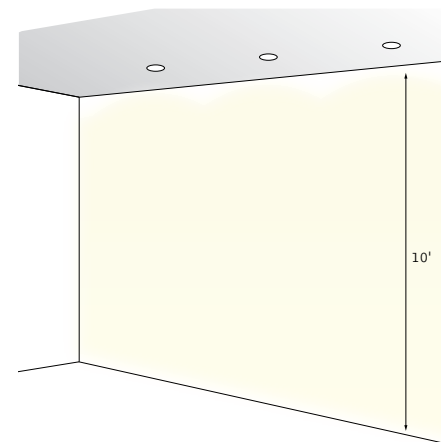
Color

Trim Type	Optic	Color	Multiplier
ALL	Wall Wash [WW]	Clear Diffuse [CD]	1.00
		Warm Diffuse [WD]	1.00
		White [WH]	1.08
		Black [BK]	0.93

Multiplier charts are provided to aid with estimation of lumen levels across options. Apply multipliers against ordered Lumen Output to estimate Delivered Lumens. An estimation should make use of all tables through consecutive application of three multipliers. Refer to IES files for most accurate photometric information.

WALL WASH DESIGN GUIDE - 1100 LUMEN, SQUARE OVERLAP EXAMPLE

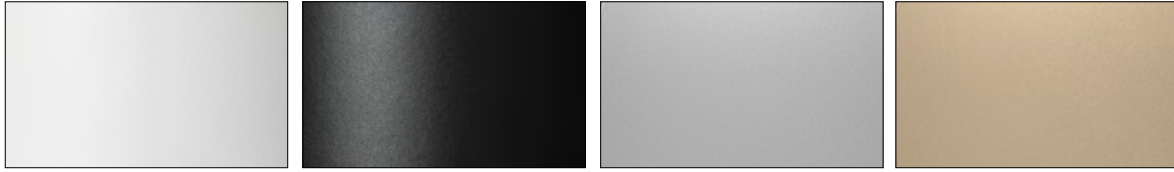
Calculation Point Distance from Ceiling	Footcandles									
	Fixtures 3' from Wall			Fixtures 3.5' from Wall			Fixtures 4' from Wall			
	3' OC	3.5' OC	4' OC	3' OC	3.5' OC	4' OC	3' OC	3.5' OC	4' OC	
1'-0"	3"	4 3 3	3 2 3	3 2 3	3 3 3	2 2 2	2 2 2	3 3 3	2 2 2	2 2 2
	6"	5 4 4	3 3 3	4 3 4	4 3 4	3 2 3	3 3 3	3 4 3	2 2 2	2 3 2
	9"	7 6 6	5 5 5	5 5 5	5 5 5	4 3 4	4 3 4	4 4 4	3 3 3	3 3 3
	12"	11 11 10	8 8 8	8 8 8	7 7 7	5 6 5	6 5 5	5 6 5	4 4 4	4 4 4
2'	14 14 14	10 10 10	10 9 10	9 9 9	7 7 7	7 6 7	6 6 6	4 5 4	4 5 4	
3'	20 22 20	15 17 15	14 15 14	15 17 15	11 13 11	11 12 11	11 13 11	8 10 8	8 9 8	
4'	21 23 20	16 19 16	15 17 15	17 20 17	13 16 13	13 15 13	14 16 14	11 13 11	10 12 10	
5'	19 21 18	14 17 14	14 16 14	17 19 17	13 16 13	13 14 12	15 17 15	11 14 11	11 13 11	
6'	16 17 15	12 14 12	12 13 12	15 17 15	12 14 12	11 13 11	14 16 14	11 13 11	11 12 10	
7'	13 14 13	10 12 10	10 11 10	13 15 13	10 12 10	0 11 10	13 14 13	10 11 10	10 11 9	
8'	11 12 10	8 9 8	8 9 8	11 12 11	9 10 9	8 9 8	11 13 11	9 10 9	8 10 8	
9'	9 10 9	7 8 7	7 8 7	10 11 9	7 8 7	7 8 7	10 11 10	8 9 7	7 8 7	
10'	6 6 6	5 5 4	4 5 4	6 7 6	5 6 5	5 5 5	7 8 7	5 6 5	5 6 5	



Finishes

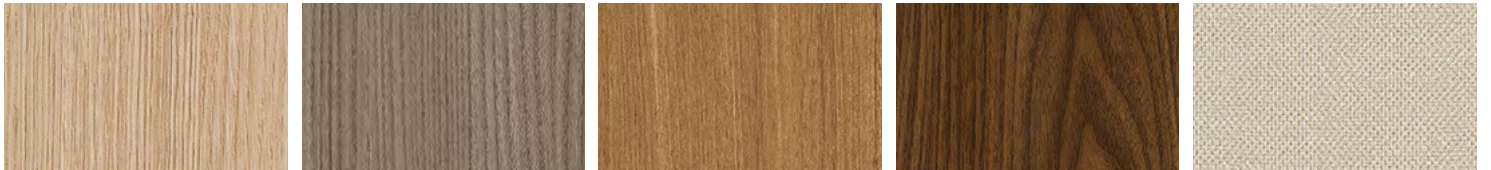


STANDARD FINISHES



WHITE WH BLACK BK CLEAR DIFFUSE CD WARM DIFFUSE WD

THE NATURALS (25% SCALE)



LIGHT OAK LOK GRAY ELM GRE CHESTNUT CHT WALNUT WLT WOVEN LINEN WLN