

Equation™ 2 surface mount/suspended

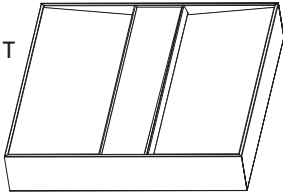
FEQ2-14 | FEQ2-22 | FEQ2-24



FOCAL POINT®

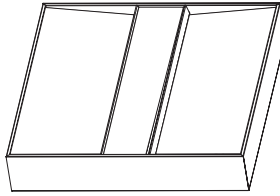
⚠️ AVOID ALL CONTACT WITH LED SURFACE, LEDs ARE EASILY DAMAGED!

FOCAL POINT
SURFACE MOUNT



SUSPENDED

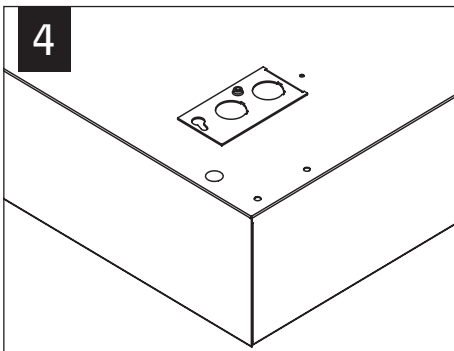
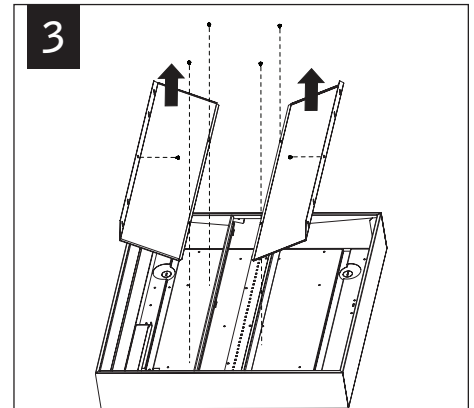
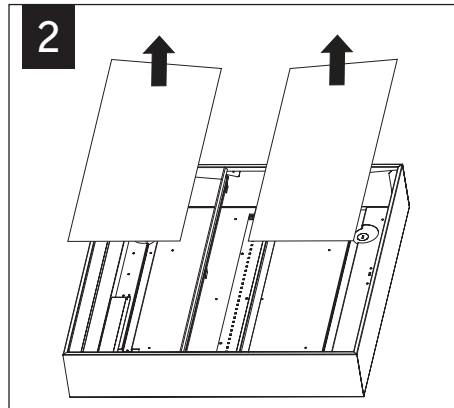
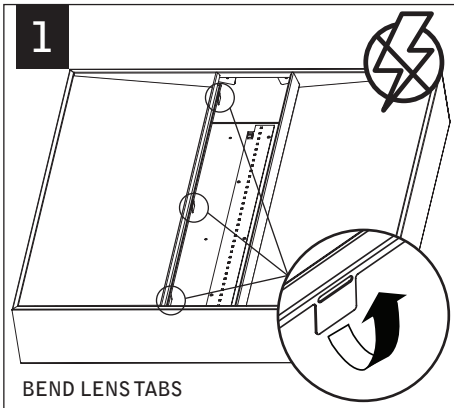
UNIVERSAL
SUSPENSION
SYSTEM - SHIPS
SEPARATELY



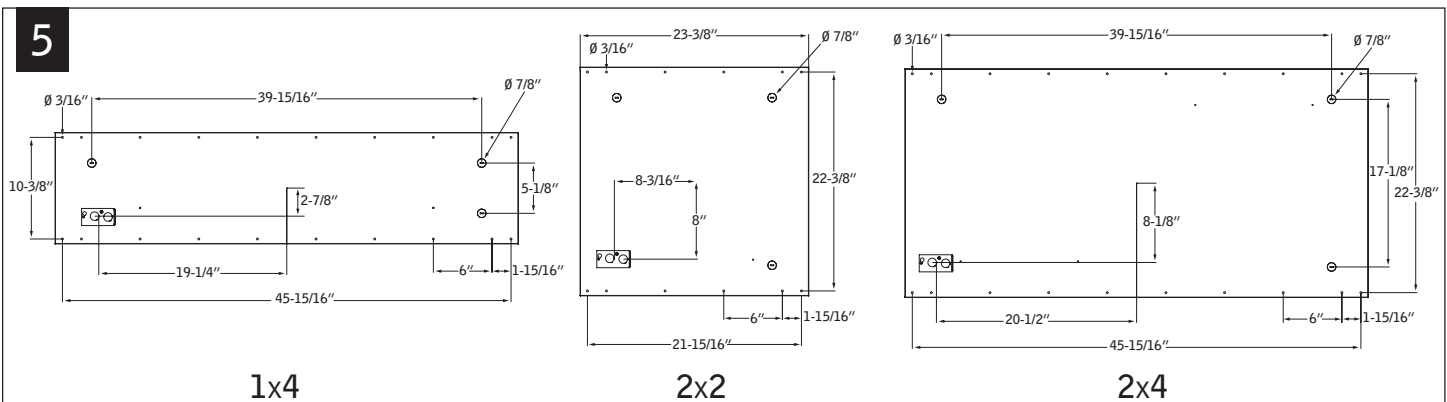
KEY

- POWER OFF
- POWER ON
- ATTENTION

SURFACE MOUNT

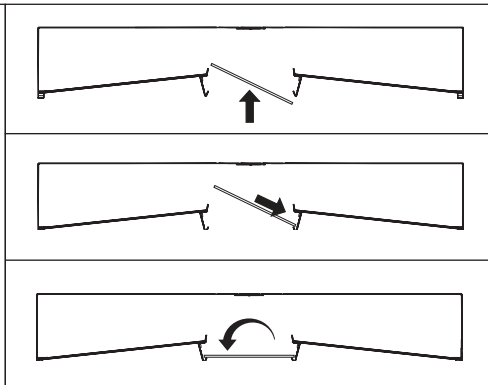
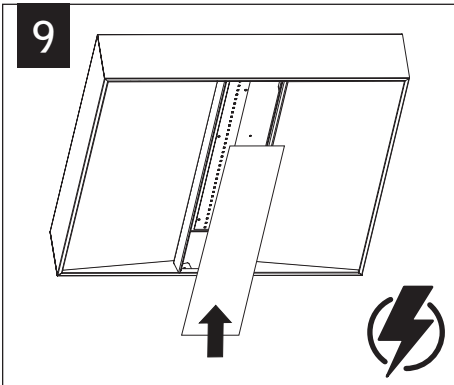
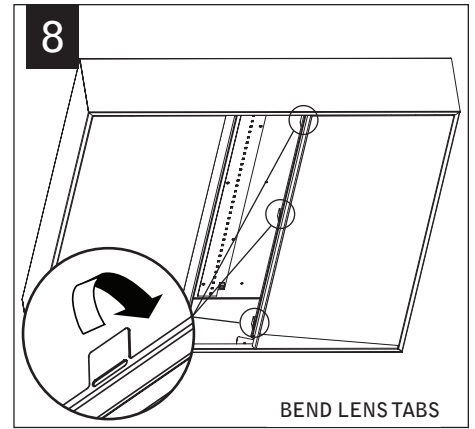
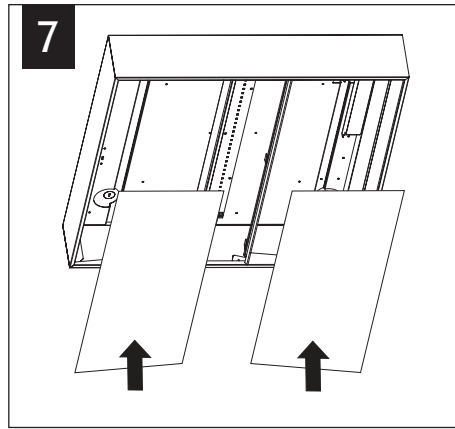
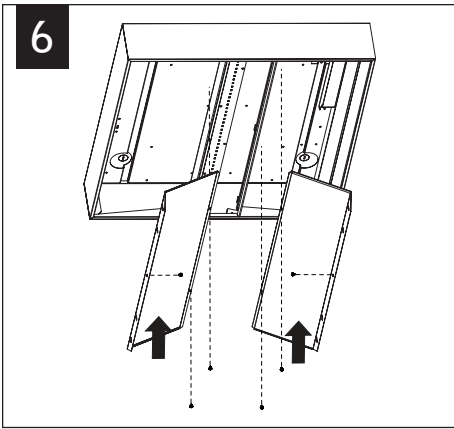


MAKE ELECTRICAL CONNECTIONS

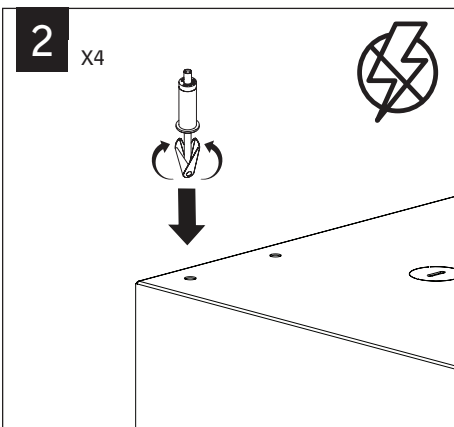
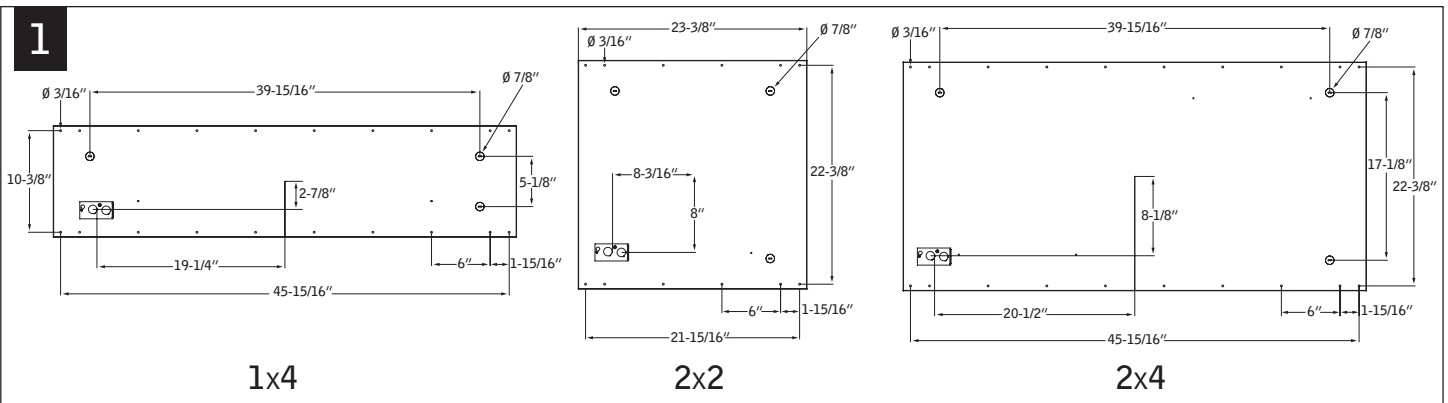


SECURE TO STRUCTURE ABOVE USING APPROPRIATE FASTENERS (BY OTHERS)

Luminaires must be installed by a qualified electrician (check with local and national codes for proper installation).
To prevent electrical shock, disconnect electrical supply before installation or servicing.



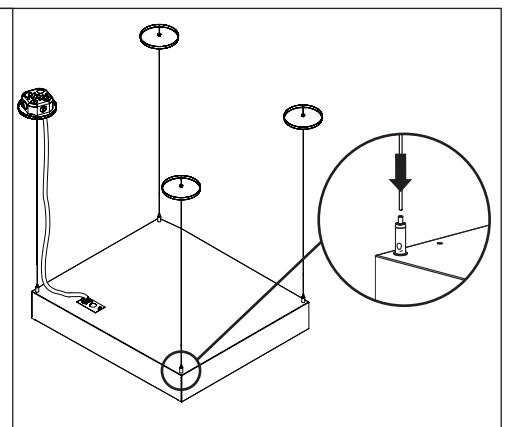
SUSPENDED



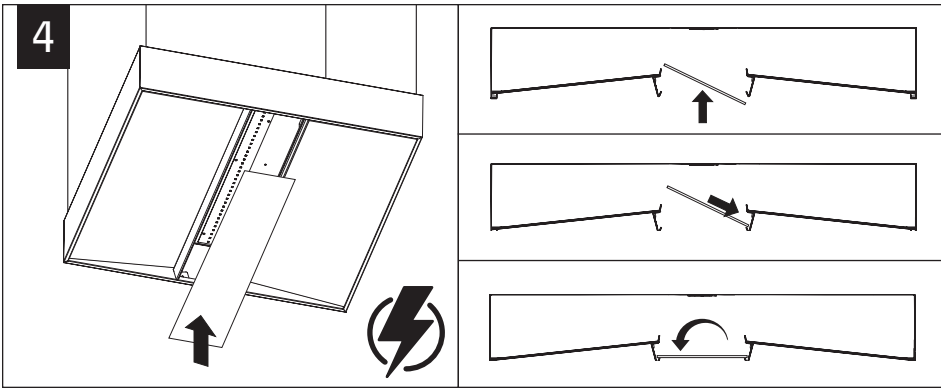
3

FOLLOW FOCAL POINT
INSTRUCTIONS FOR
UNIVERSAL SUSPENSION
SYSTEM ASSEMBLY.
SEE IS0166

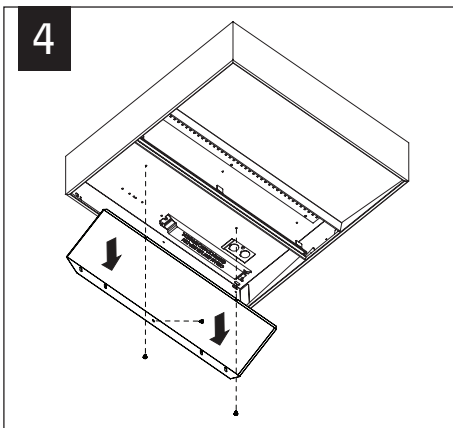
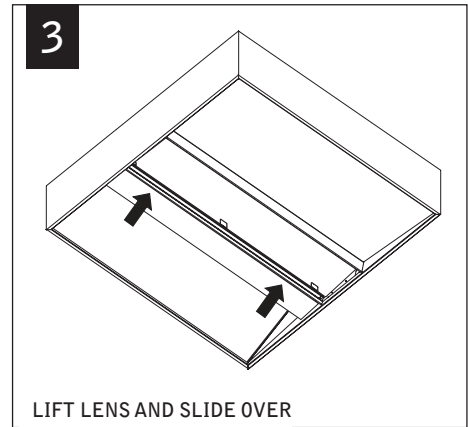
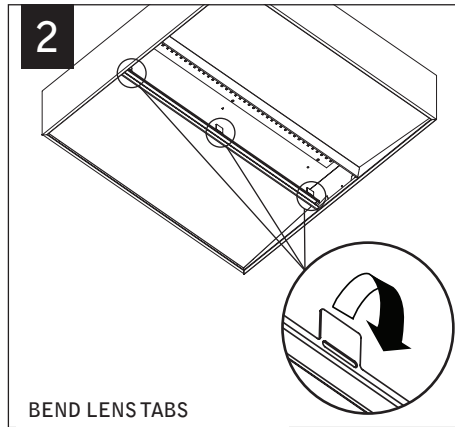
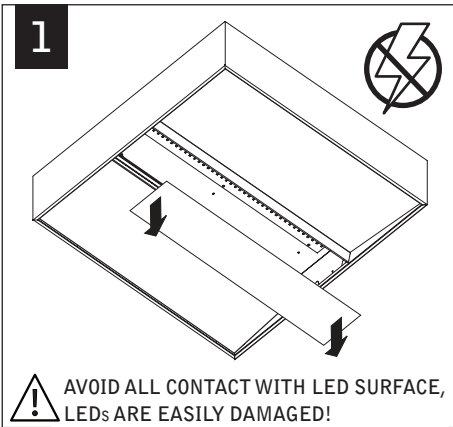
I



Luminaires must be installed by a qualified electrician (check with local and national codes for proper installation).
To prevent electrical shock, disconnect electrical supply before installation or servicing.



DRIVER SERVICE



EMERGENCY



SEE BATTERY MANUFACTURER INSTRUCTIONS

EMERGENCY MAXIMUM MOUNTING HEIGHT:

1x4: 21'

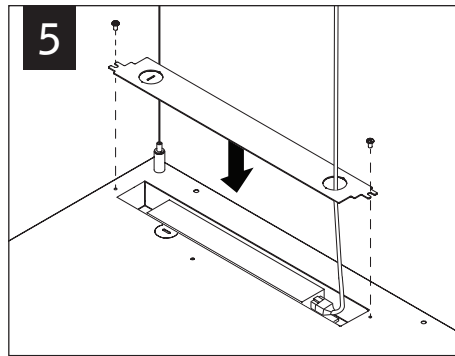
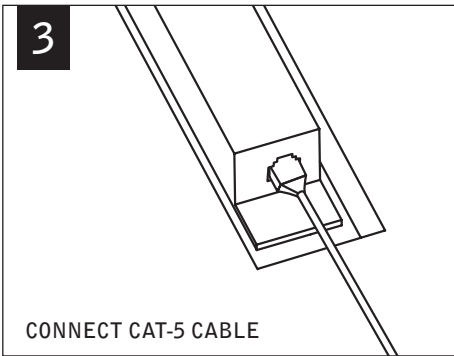
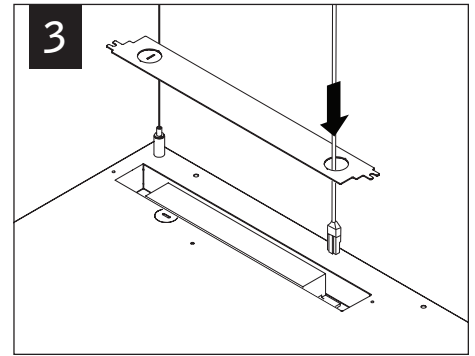
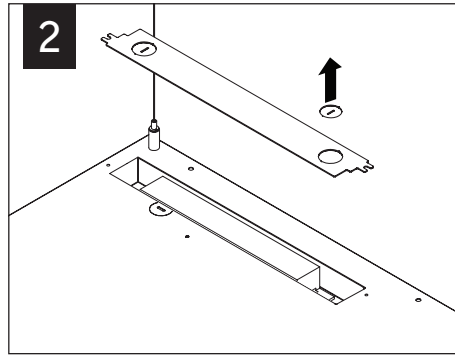
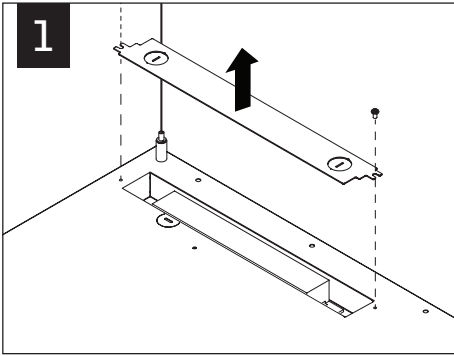
2x2: 20'

2x4: 21'

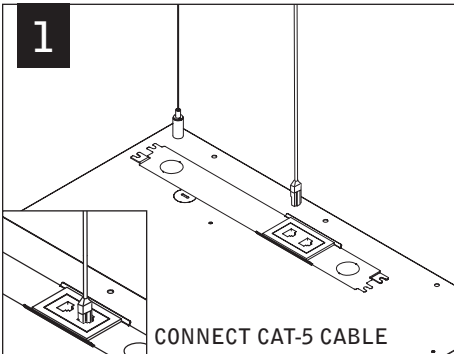
Luminaires must be installed by a qualified electrician (check with local and national codes for proper installation).
To prevent electrical shock, disconnect electrical supply before installation or servicing.

CONNECTED SOLUTIONS

ACUITY nLIGHT



WATTSTOPPER



Contractor is responsible for adequately reinforcing walls and/or ceilings to support luminaire weight. Focal Point, LLC accepts no responsibility for inadequately reinforced walls and/or ceilings. The information contained in this drawing is the sole property of Focal Point, LLC. Any reproduction in part or whole without the written permission of Focal Point, LLC is prohibited.