

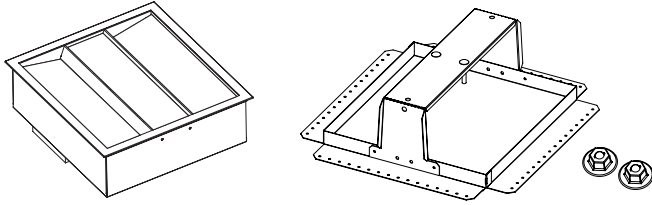
Equation™ 2 1x1

FEQ2-11






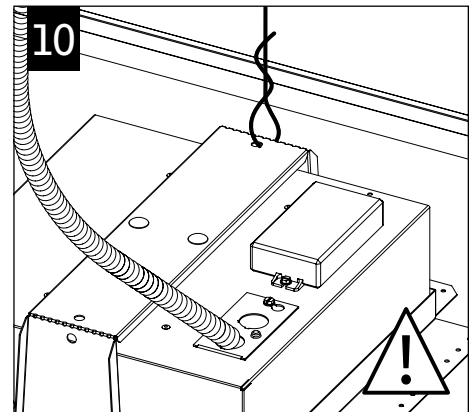
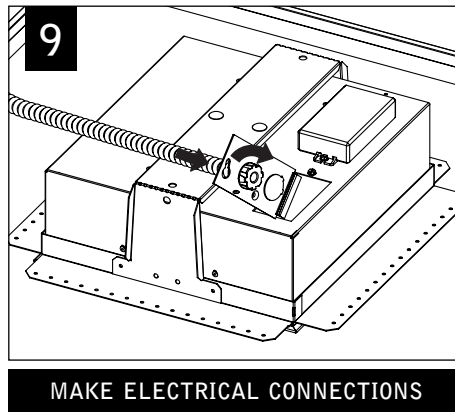
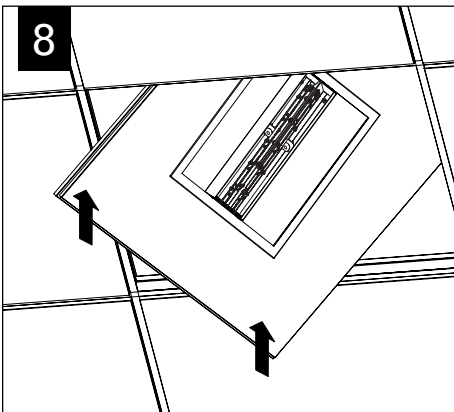
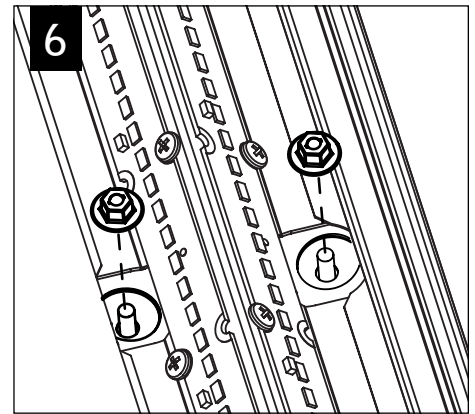
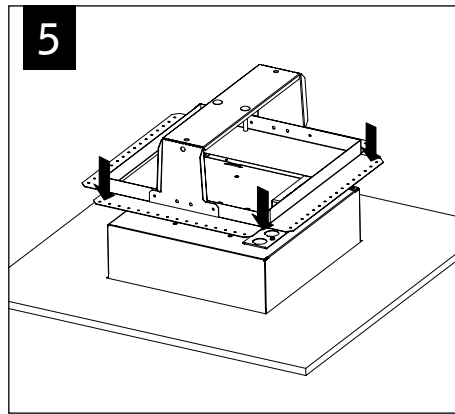
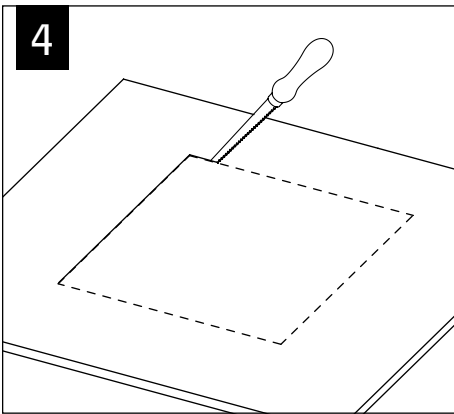
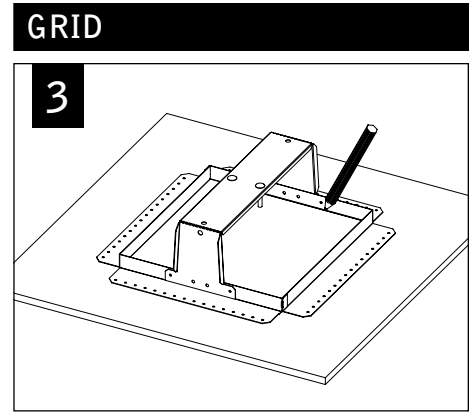
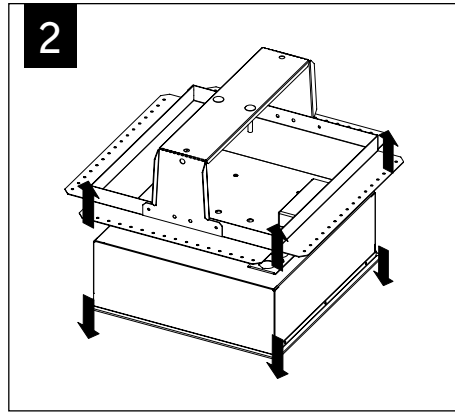
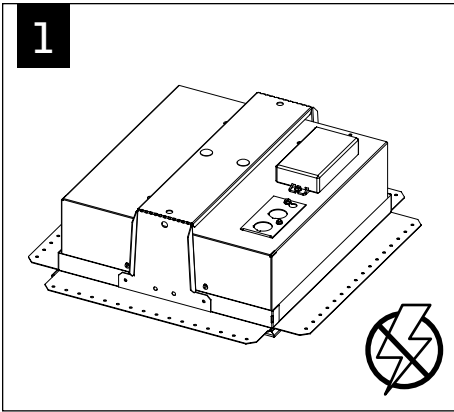
FOCAL POINT®

FOCAL POINT



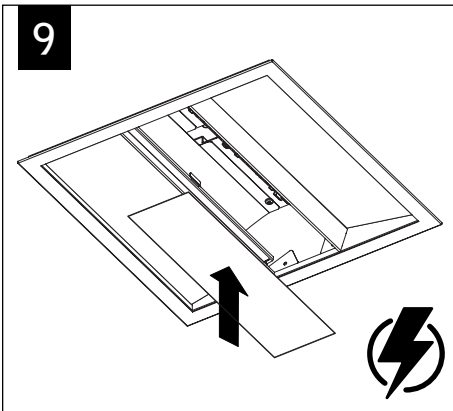
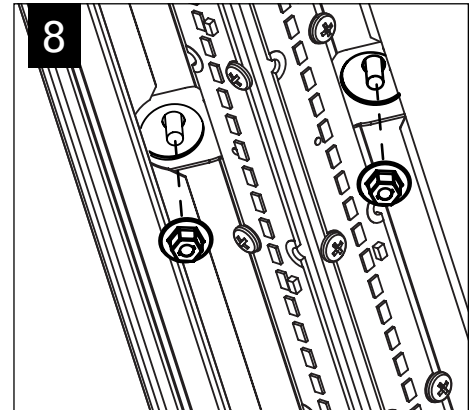
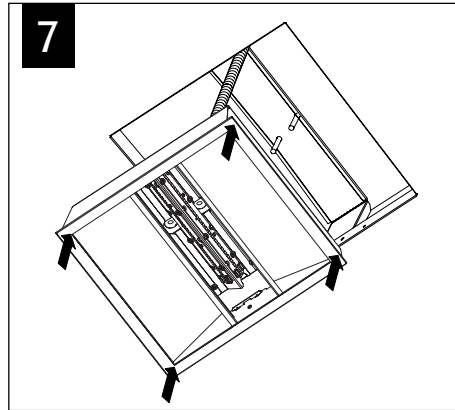
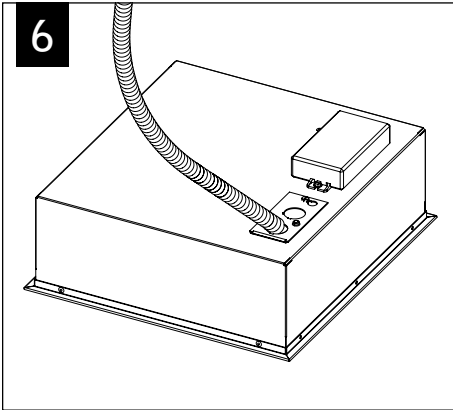
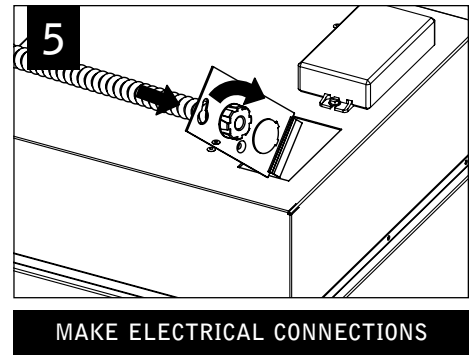
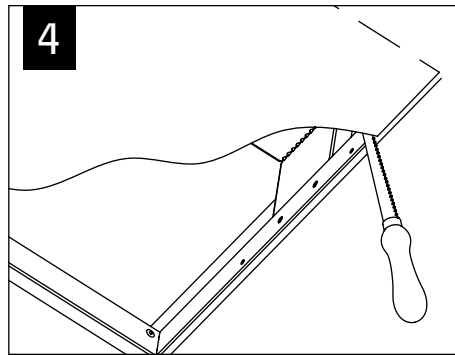
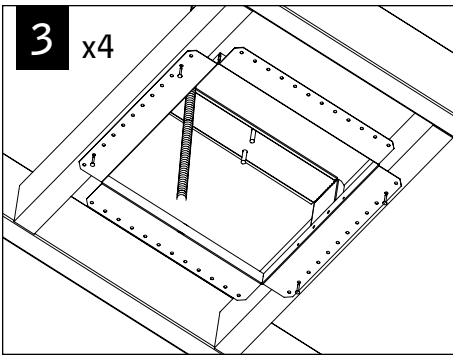
KEY

-  POWER OFF
-  POWER ON
-  ATTENTION

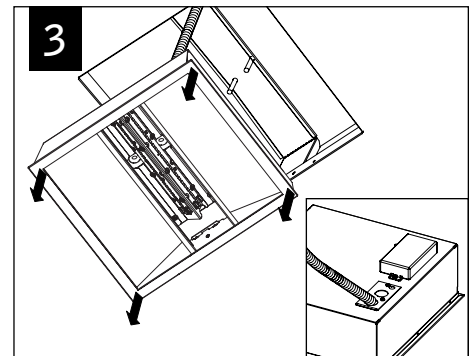
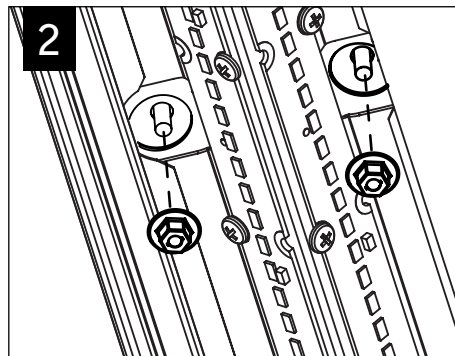
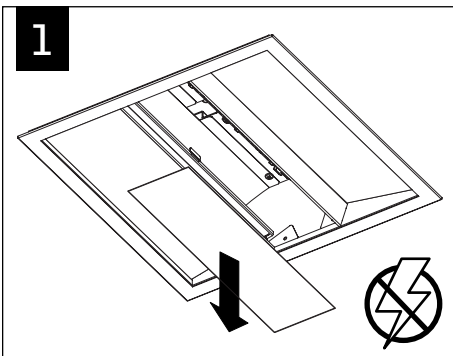


Luminaires must be installed by a qualified electrician (check with local and national codes for proper installation).
To prevent electrical shock, disconnect electrical supply before installation or servicing.

DRYWALL



DRIVER SERVICE



Contractor is responsible for adequately reinforcing walls and/or ceilings to support luminaire weight. Focal Point, LLC accepts no responsibility for inadequately reinforced walls and/or ceilings. The information contained in this drawing is the sole property of Focal Point, LLC. Any reproduction in part or whole without the written permission of Focal Point, LLC is prohibited.