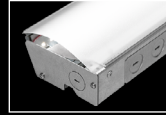
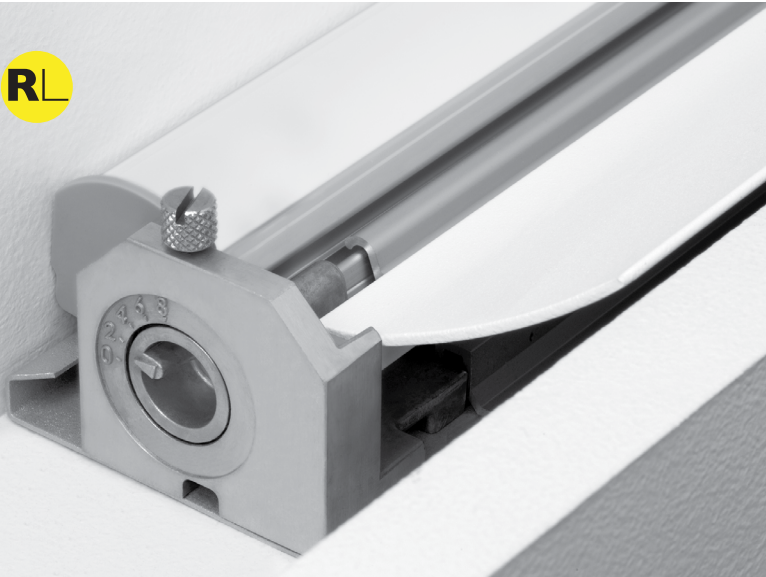


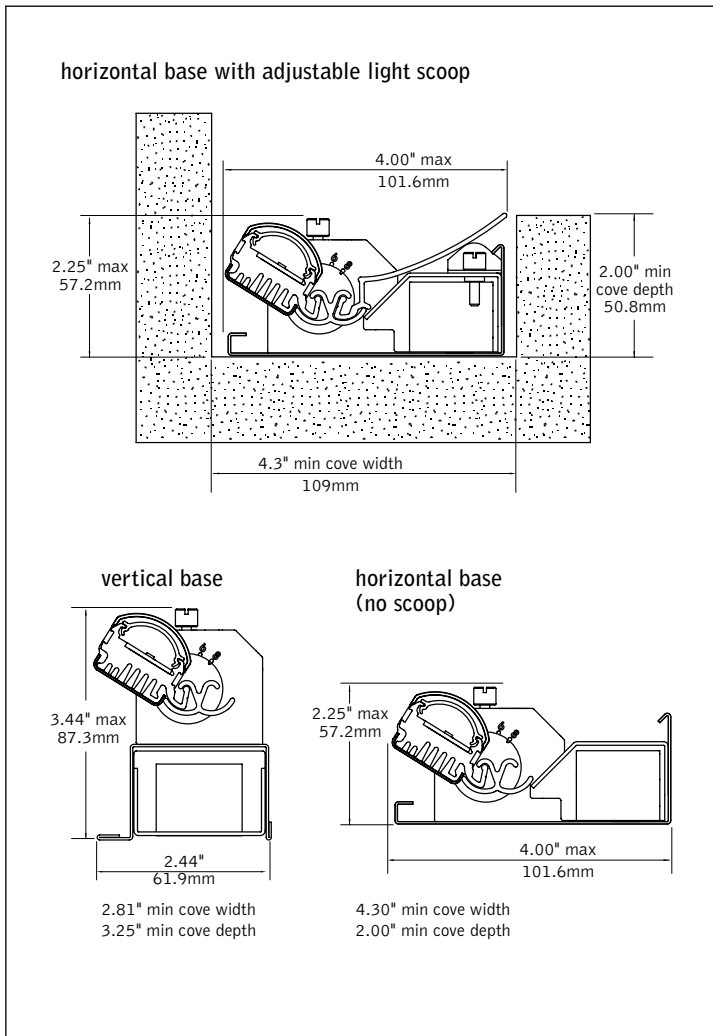
# Covert®

ADJUSTABLE LED COVE LIGHT



Covert Lite  
fixed cove light  
companion

## DIMENSIONAL DATA



## FEATURES

Small profile indirect LED luminaire designed for concealed cove applications.

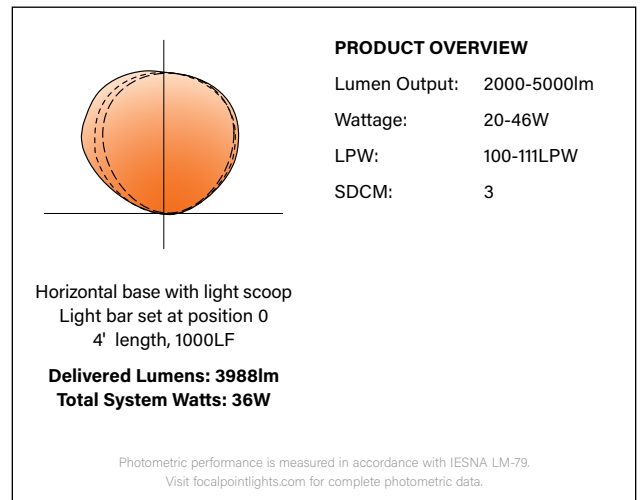
Adjustable Light Bar and Light Scoop aim to optimize distribution in any cove application.

Luminaires are provided with quick connect thru-wire harness for ease of installation in continuous runs.

Continuous runs may be specified in 1' increments.

Covert® provides pleasing and shadow-free illumination that highlights architectural details.

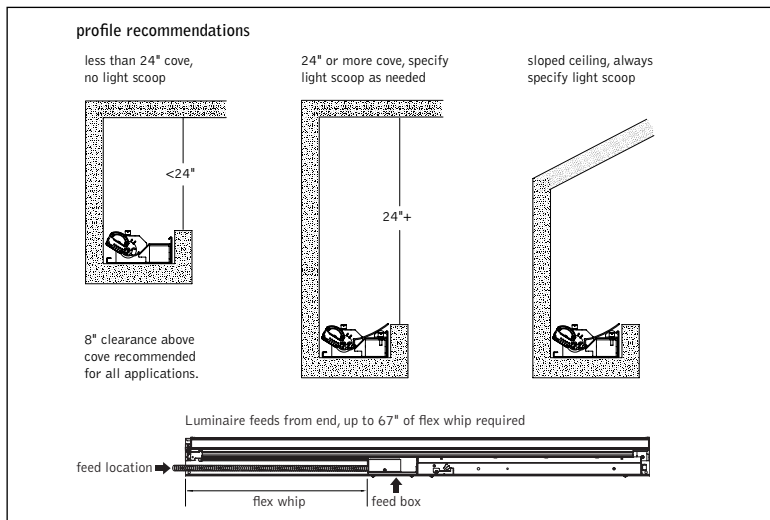
## PERFORMANCE



fixture:

project:

**DETAILS**



**SPECIFICATIONS**

**LED System**

Proprietary linear LED module incorporates premium LEDs on a robust platform to achieve excellent thermal management. LEDs are placed to promote a uniform appearance. Available in 2700K, 3000K, 3500K or 4000K with CRI>80 or CRI>90, 3SDCM. 0-10V dimming driver standard. LED modules and drivers are replaceable.

**Construction**

.07" thick extruded aluminum LED module housing. 20 Ga. steel driver compartment and outer housing. Optional adjustable light scoop of .07" thick extruded aluminum. 4' unit weight: 9.5lbs

**Optic**

Continuous illumination enabled by linear LED modules shielded by extruded acrylic lens. Light Bar and Light Scoop adjust and lock to aim peak candela and/or shape overall distribution.

**Electrical**

Standard 120-277V driver includes 0-10V analog dimming. Dimming range 100% - 10%. Power factor > .9. Optional EcoSystem dimming driver from Lutron available.

**Labels**

UL and cUL listed. Suitable for Dry or Damp Locations, indoor use only.

**Lumen Maintenance**

L70 > 50,000 hours.

**Reliability**

At Focal Point, our products are designed to stand the test of time. Each luminaire is engineered using superior components, manufactured with the utmost care and rigorously tested. Contact us for reliability data.

**Warranty**

LED system rated for operation in ambient environments up to 25°C. 5 year limited warranty.

**4' PERFORMANCE CHART**

Profile	Lumens per Foot	Light Bar Adjustment Settings	Delivered Lumens	Total System Watts	Peak Candela
HS	500LF	0*	2000	20	675@165°
	750LF	0*	3000	28	1012@165°
	1000LF	0*	3988	36	1352@165°
	1250LF	0*	5000	46	1687@165°

Based on 3500K, 80 CRI, 4' lengths. Light scoop in fully open position. Lumen Multiplier: 90+ CRI = 0.87. Lumen output may vary +/- 5%. Actual wattage may vary +/- 5%.

**ORDERING**

<b>Luminaire Series</b>		<b>FCOL</b>
Covert		
<b>Profile</b>		
Horizontal base	HN	
Horizontal base with light scoop	HS	
Vertical base	VN	
<b>Lumen Output</b>		
500 Lumens per foot	500LF	
750 Lumens per foot	750LF	
1000 Lumens per foot	1000LF	
1250 Lumens per foot (Available with LD1 & L11 only.)	1250LF	
<b>Color Temperature</b>		
2700K, 80+ CRI or 90+ CRI	27K or 927K	
3000K, 80+ CRI or 90+ CRI	30K or 930K	
3500K, 80+ CRI or 90+ CRI	35K or 935K	
4000K, 80+ CRI or 90+ CRI	40K or 940K	
<b>Circuits</b>		<b>1C</b>
Single Circuit	1C	
<b>Voltage</b>		<b>UNV</b>
UNV	UNV	
<b>Control System &amp; Dimming Level</b>		
0-10V - 10% Dimming	LD1	
0-10V - 1% Dimming	L11	
Lutron Hi-Lume EcoSystem (LDE1) - 1% Dimming	LH1	
<b>Mounting</b>		<b>CV</b>
Cove	CV	
<b>Luminaire Length</b>		
Specify in 1' increments	X'	

(Lengths are nominal. Consult factory for limitations regarding 2' units, corners, patterns & curved cove applications. Multiple feeds may be required beyond 64'. Consult factory for specifics.)