

# Avenue® 6 LED

FAV6L



FOCAL POINT®

## BEFORE YOU BEGIN

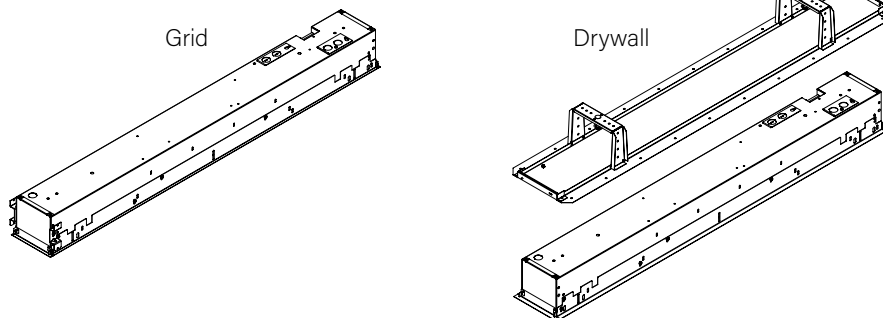
- Luminaires must be installed by a qualified electrician (check with local and national codes for proper installation).
- To prevent electrical shock, disconnect electrical supply before installation or servicing.
- Contractor is responsible for adequately reinforcing walls and/or ceilings to support fixture weight.
- Focal Point, LLC accepts no responsibility for inadequately reinforced walls and/or ceilings.
- The information contained in this drawing is the sole property of Focal Point, LLC. Any reproduction in part or whole without the written permission of Focal Point, LLC is prohibited.

## INSTRUCTION KEY

- ATTENTION
- SEE ADDITIONAL INSTRUCTIONS
- POWER OFF
- POWER ON

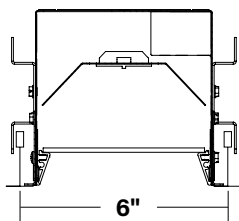
## COMPONENT KEY

### FOCAL POINT



## GRID INSTALLATION (see page 3 for drywall installation)

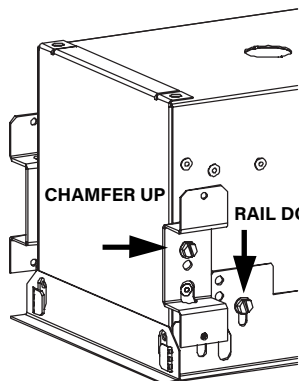
- 4FT LUMINAIRE WEIGHT: 20LBS
- 5FT LUMINAIRE WEIGHT: 25LBS



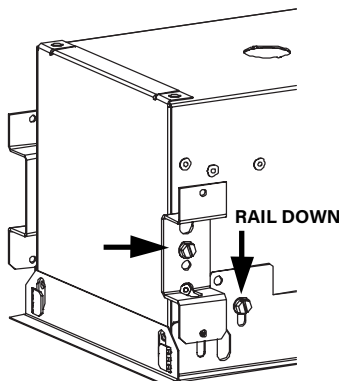
Avenue 6 is compatible with Armstrong® TechZone® and other specialty 6" ceiling systems. Tee spacing should be 6" on center for all ceiling systems.

## RAIL & CLIP GUIDE

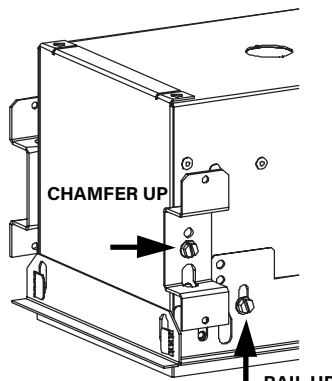
CHECK RAIL & CLIP POSITIONS BEFORE INSTALLATION. ARROWS INDICATE SCREW POSITIONS. TO CHANGE IN THE FIELD REMOVE AND REINSTALL ACCORDING TO DIAGRAMS BELOW.



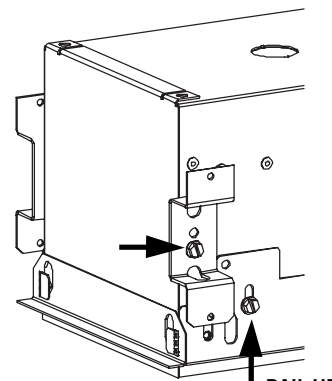
G1: STD 15/16" LAY-IN TILE  
G2: STD 9/16" LAY-IN TILE



G4: TALL 15/16" LAY-IN TILE  
G5: TALL 9/16" LAY-IN TILE



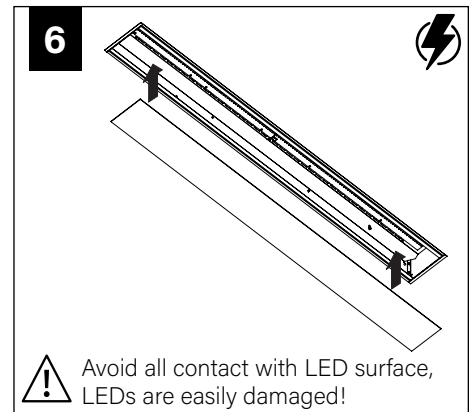
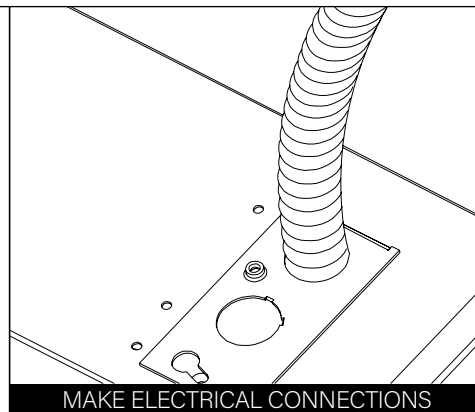
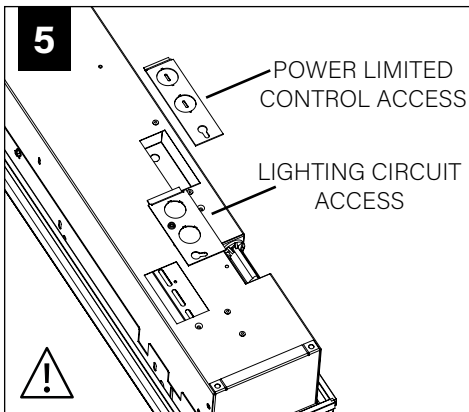
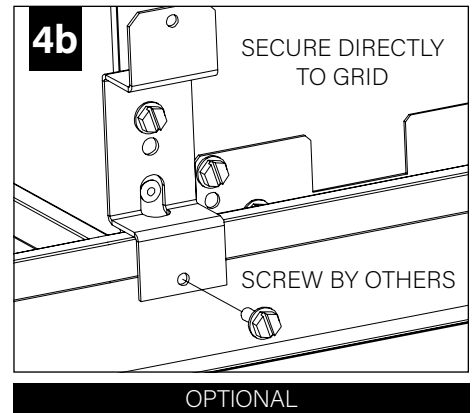
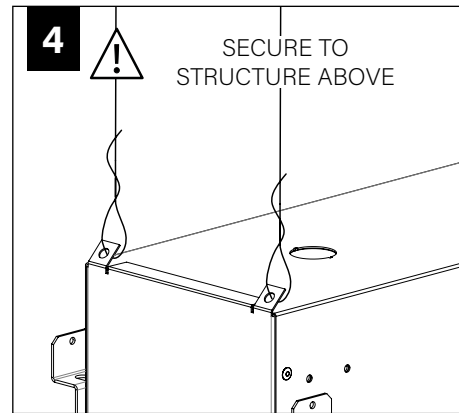
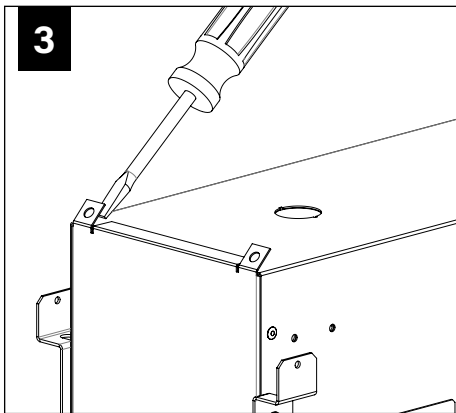
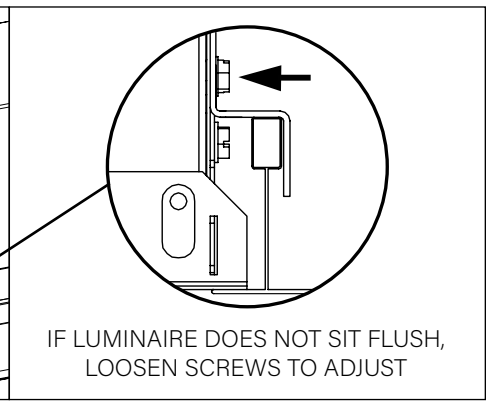
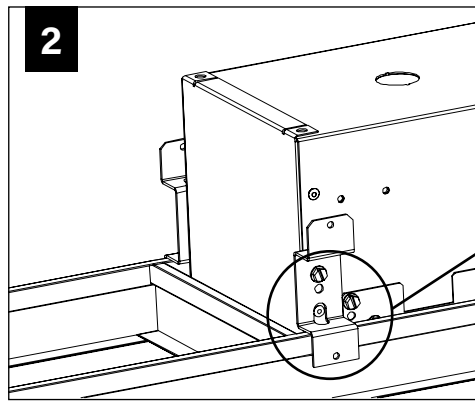
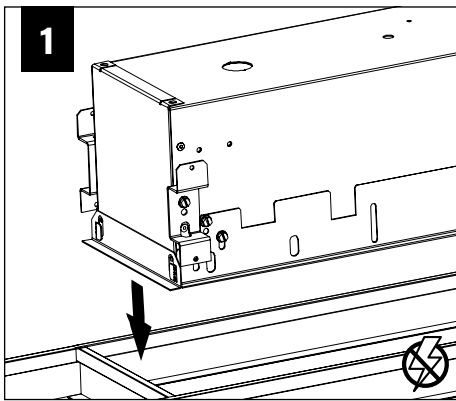
G3: 9/16" SLOT-TEE TEGULAR TILE  
T1: STD 15/16" TEGULAR TILE  
T2: STD 9/16" TEGULAR TILE  
T6: 9/16" NODE TEGULAR TILE



T4: TALL 15/16" TEGULAR TILE  
T5: TALL 9/16" TEGULAR TILE

STD = 1-1/2" TEE HEIGHT, TALL = 1-11/16" TEE HEIGHT

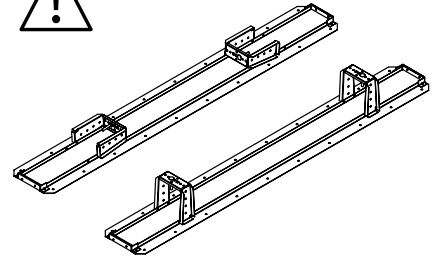
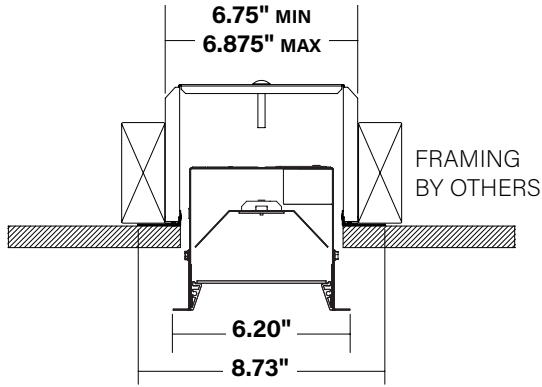
# GRID INSTALLATION



# DRYWALL INSTALLATION

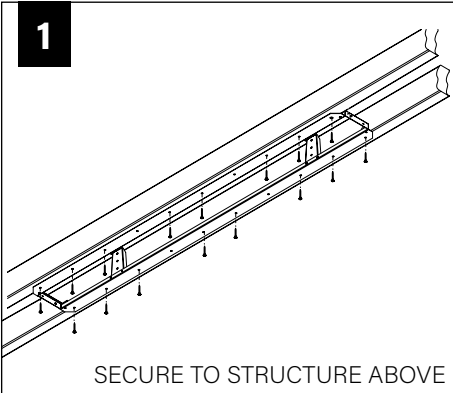


**YOKE MUST BE INSTALLED PRIOR TO DRYWALL**



UNFOLD YOKES PRIOR TO INSTALLATION

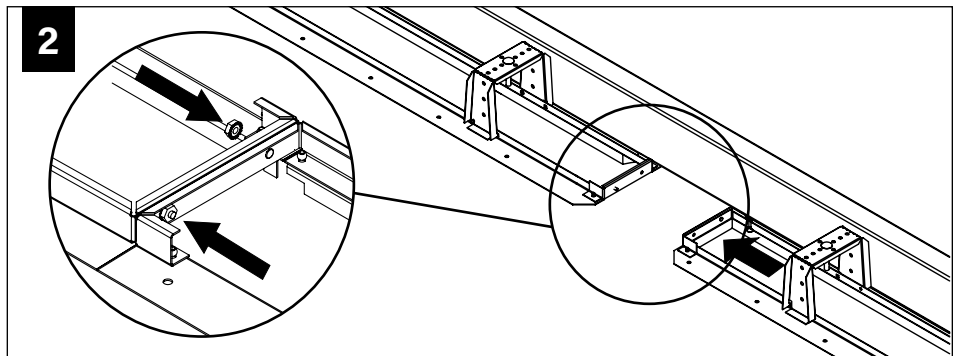
**1**



SECURE TO STRUCTURE ABOVE

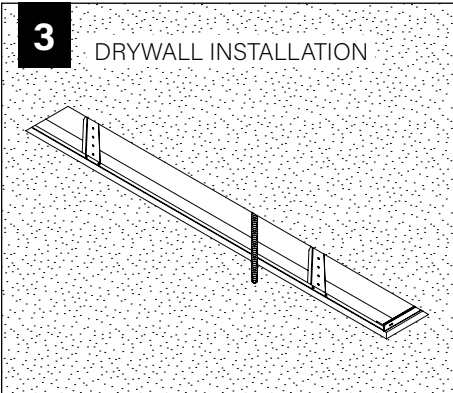
## ROW MOUNT

**2**

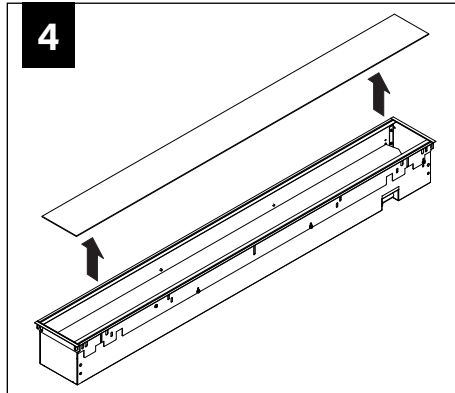


**3**

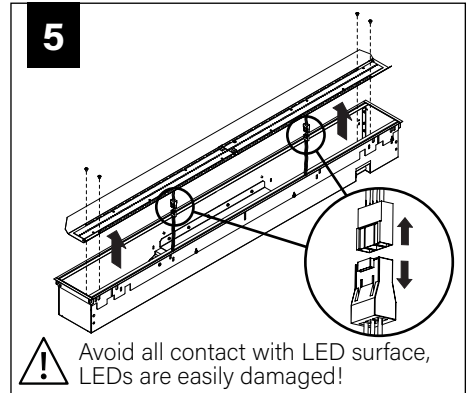
DRYWALL INSTALLATION



**4**



**5**

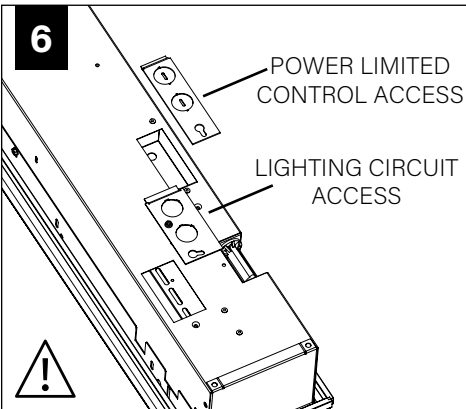


**!** Avoid all contact with LED surface, LEDs are easily damaged!

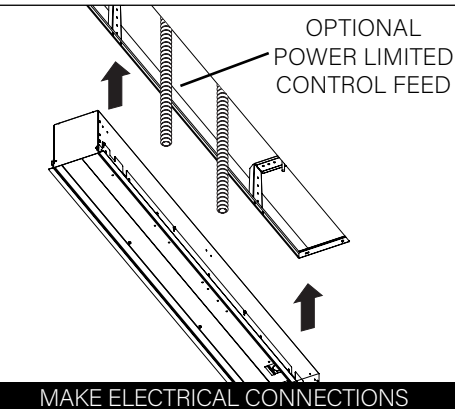
**6**

POWER LIMITED CONTROL ACCESS

LIGHTING CIRCUIT ACCESS

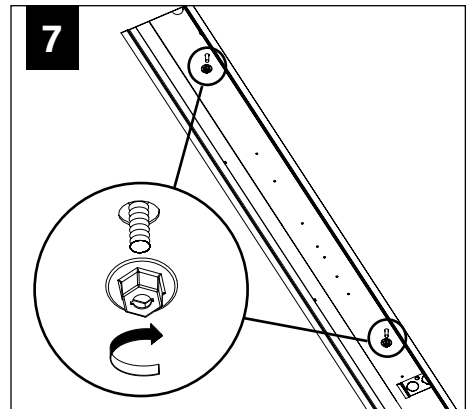


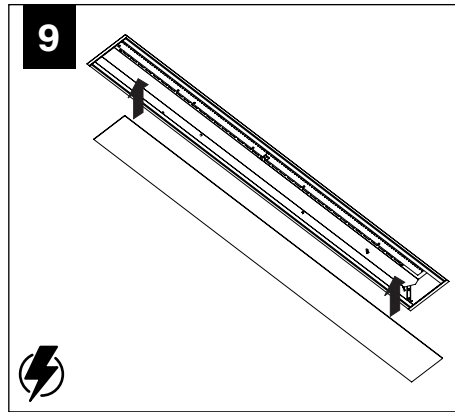
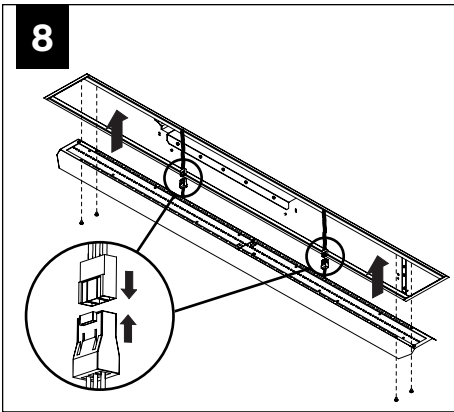
OPTIONAL POWER LIMITED CONTROL FEED



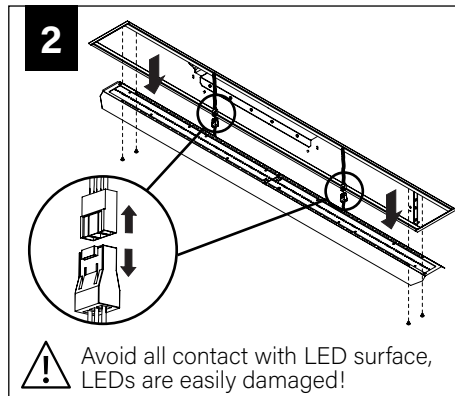
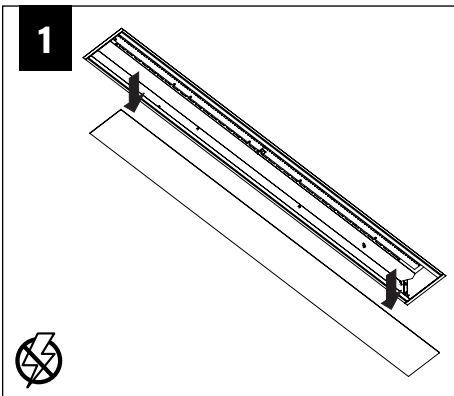
MAKE ELECTRICAL CONNECTIONS

**7**





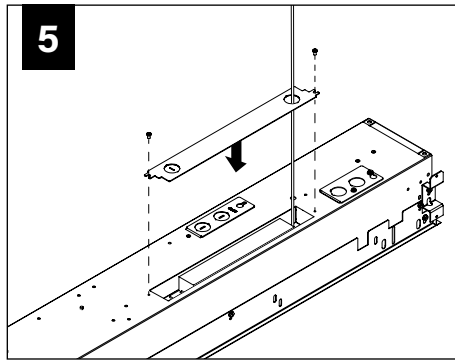
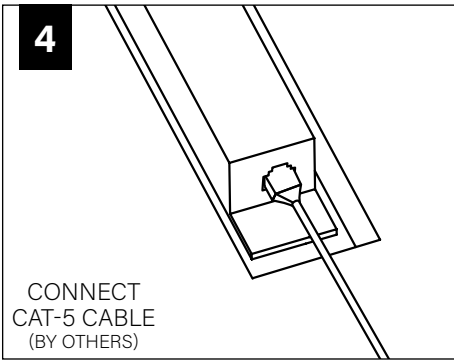
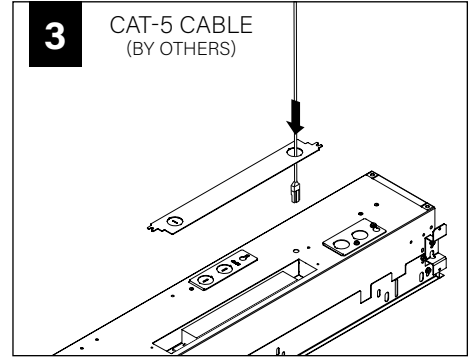
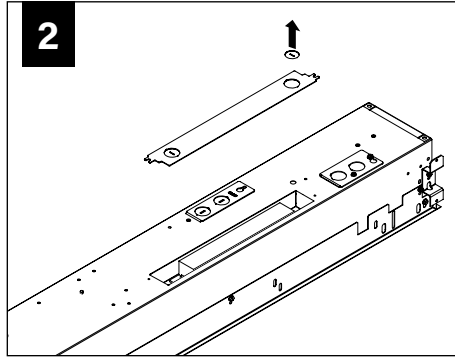
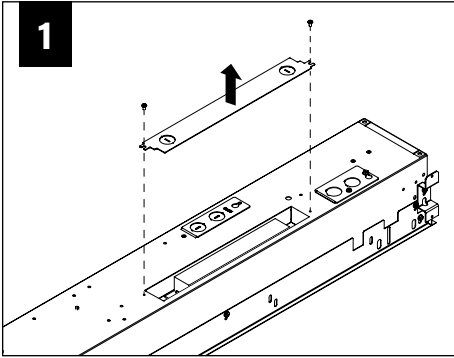
**DRIVER SERVICE**



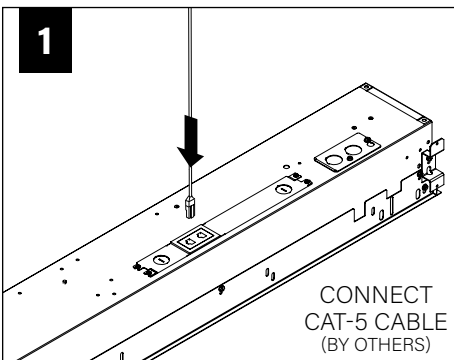
**EMERGENCY**

  
 SEE BATTERY MANUFACTURER  
 INSTRUCTIONS  
**EMERGENCY MAXIMUM  
 MOUNTING HEIGHT: 20'**

**ACUITY nLIGHT**



**WATTSTOPPER**



**HUBBELL NX**

