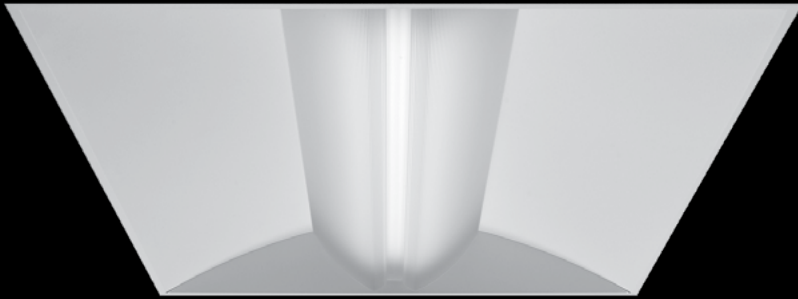


Aerion® 2x2

LED



standard diffuser



round accent strip



square accent strip



red insert

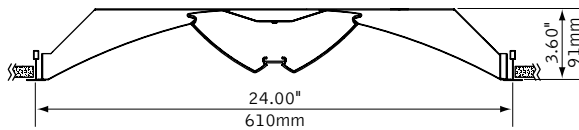


green insert



blue insert

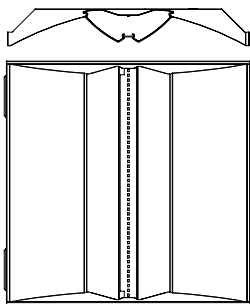
DIMENSIONAL DATA



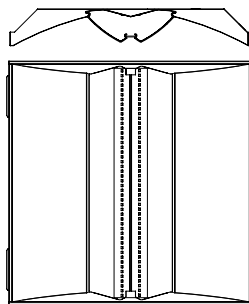
led options

Standard

High Efficiency



1 LED board



2 LED boards

FEATURES

Architectural recessed LED luminaire.

Aerion's sweeping curves and contemporary lines complement architecture.

Aerion's center lamp chamber provides minimal contrast between the diffuser and side reflectors creating even illumination and comfort.

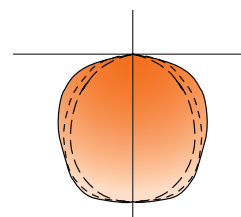
Aerion features a shallow 3.6" housing depth which flies under the radar of most plenum obstructions.

Stylized sloped endcaps highlight Aerion's distinctive look.

Acrylic diffuser has been designed with an upper and lower track that accepts individual or combinations of accent strips.

PoE compatible: Integrates with Power over Ethernet lighting systems via standard, low-voltage wires.

PERFORMANCE



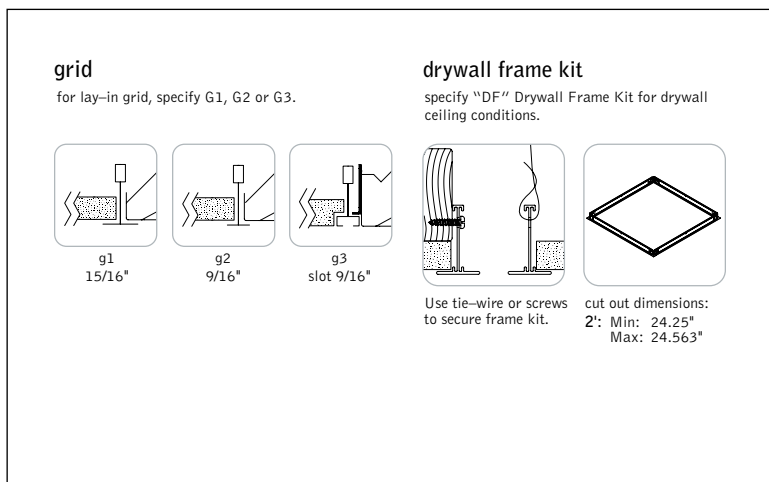
High Performance
2500 Lumens (2500LH)
Delivered Lumens: 2500lm
Total System Watts: 24W

Photometric performance is measured in accordance with IESNA LM-79. Visit focalpointlights.com for complete photometric data.

PRODUCT OVERVIEW

Lumen Output:	2000-4000lm
Wattage:	19-41W
LPW:	94-105
SDCM:	3

MOUNTING INFORMATION



SPECIFICATIONS

LED System

Proprietary linear LED module incorporates premium LEDs on a robust platform to achieve excellent thermal management. LEDs are placed to promote a uniform appearance. Available in 3000K, 3500K or 4000K with CRI>80, 3SDCM. 0-10V dimming driver standard. LED modules are replaceable from below.

Construction

One piece 20 Ga. steel reflector and housing. Side access 20 Ga. steel driver compartment. Positional brackets supplied as standard. Unit weight: 17 lbs.

Optic

20 Ga. steel reflectors finished in matte satin white powder coat. .095" thick frosted white acrylic lamp diffusers with linear micro-prism pattern. Optional .020" thick acrylic accent strip available in round or square pattern.

Electrical

Standard 120-277V driver includes 0-10V analog dimming. Power factor > .9. Optional EcoSystem dimming drivers from Lutron available. PoE compatible: Integrates with Power over Ethernet lighting systems via standard, low-voltage wires.

Emergency Battery

Bodine BSL310-CAN. Emergency output—10 watts for 90 minutes. Grid and Drywall Frame kit mounting only.

Labels

UL and cUL Listed. Suitable for Dry or Damp Locations, indoor use only.

Finish

Polyester powder coat applied over a multi-stage pre-treatment. Optional Matte Satin White with anti-microbial coating provides 99.99% protection against a broad spectrum of micro-organisms.

Lumen Maintenance

Reported: L90 at >61,000 hours Calculated: L90 at 114,000 hours
Derived from EPA TM-21 calculator. Based on typical conditions, consult factory for additional data.

Reliability

At Focal Point, our products are designed to stand the test of time. Each luminaire is engineered using superior components, manufactured with the utmost care and rigorously tested. Contact us for reliability data.

Warranty

LED system rated for operation in ambient environments up to 25°C. 5-year limited warranty.

PERFORMANCE CHART

Delivered Lumens		Tested System Watts	LPW
2000 Lumens	2000L	19	105
	2500L	26	96
	2500LH	24	104
3000 Lumens	3000L	32	94
	3000LH	29	103
3500 Lumens	3500LH	35	100
4000 Lumens	4000LH	41	98

Lumen output may vary +/- 5%. Actual wattage may vary +/- 5%

Focal Point LLC reserves the right to change specifications for product improvement without notification.

ORDERING

Luminaire Series	FARL	FARL
Aerion LED	FARL	
Nominal Size	22	22
2' x 2'	22	
Shielding		
Acrylic Diffuser	AC	
Acrylic Diffuser with Round Accent Strip	RA	
Acrylic Diffuser with Square Accent Strip	SA	
Optional Color Inserts <small>(Leave blank for no color)</small>		
Red	R	
Green	G	
Blue	B	
Lumen Output		
Standard		
2000 Lumens	2000L	
2500 Lumens	2500L	
3000 Lumens	3000L	
High Efficiency		
2500 Lumens	2500LH	
3000 Lumens	3000LH	
3500 Lumens	3500LH	
4000 Lumens	4000LH	
Color Temperature		
3000K, 80+ CRI	30K	
3500K, 80+ CRI	35K	
4000K, 80+ CRI	40K	
Circuit		1C
Single Circuit	1C	
Voltage		
120 Volt	120	
277 Volt	277	
UNV Volt	UNV	
<small>(Cannot be specified with EM option)</small>		
Low Voltage	LV	
Control System & Dimming Level		
0-10V - 1% Dimming	L11	
0-10V - 10% Dimming	LD1	
Low Voltage, PoE compatible	LVN	
<small>(No driver. Not available with EM or EC. LV Voltage only)</small>		
Lutron Hi-Lume EcoSystem (LDE1) - 1% Dimming Step Dimming	LH1 SD5	
<small>(Grid and drywall mounting only)</small>		
DALI - 1% Dimming	D11	
<small>(Consult factory)</small>		
Mounting		
24" Aircraft Cable	C24	
48" Aircraft Cable	C48	
96" Aircraft Cable	C96	
15/16" Grid	G1	
9/16" Grid	G2	
9/16" Slot Tee	G3	
Drywall Frame Kit	F	
<small>(Cut out dimensions: Min: 24.25"/Max: 24.563")</small>		
Surface Mount	SM	
Factory Options		
Air Return	AR	
<small>(Overall height for luminaire with Air Return is 4.25")</small>		
Chicago Plenum	CP	
Emergency Battery Pack with Integral Test Switch	EM	
6' New York City Flex Whip	FNY	
6' Flex Whip	FW	
Finish		
Matte White Housing	WH	
Matte Satin White with Anti-Microbial Coating	WHA	



Options in orange qualify for the Quickship program. 5-day up to 100 pieces, 10-day up to 300 pieces. Refer to Quickship Guide for complete details.