

Amica® 2

FAM2 1x2 | 1x4 | 2x2 | 2x4



FOCAL POINT®



BEFORE YOU BEGIN

- Luminaires must be installed by a qualified electrician (check with local and national codes for proper installation).
- To prevent electrical shock, disconnect electrical supply before installation or servicing.
- Contractor is responsible for adequately reinforcing walls and/or ceilings to support fixture weight.
- Focal Point, LLC accepts no responsibility for inadequately reinforced walls and/or ceilings.
- The information contained in this drawing is the sole property of Focal Point, LLC. Any reproduction in part or whole without the written permission of Focal Point, LLC is prohibited.

INSTRUCTION KEY



ATTENTION



SEE ADDITIONAL INSTRUCTIONS



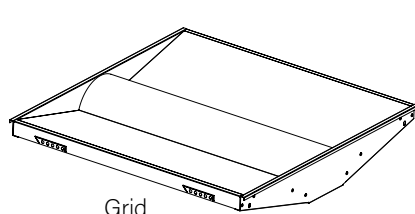
POWER OFF



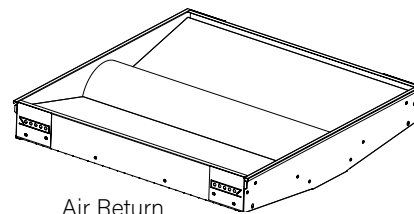
POWER ON

COMPONENT KEY

FOCAL POINT

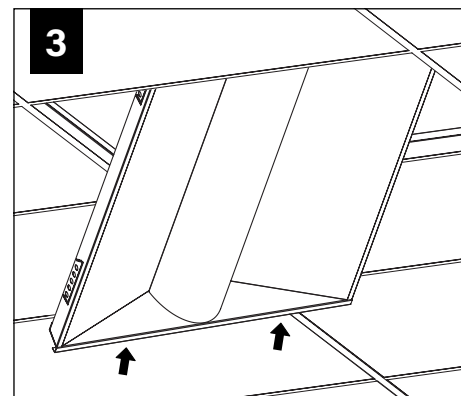
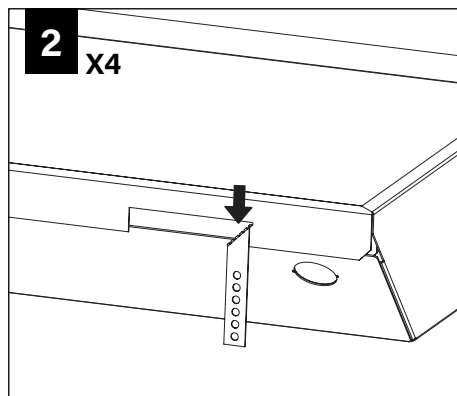
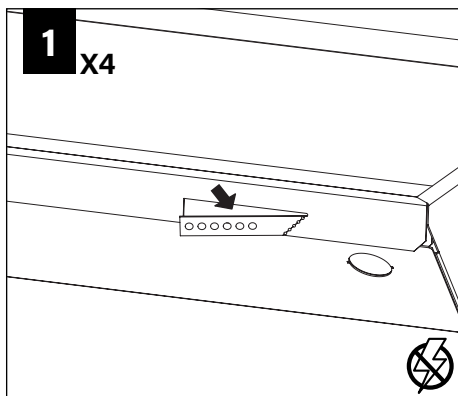


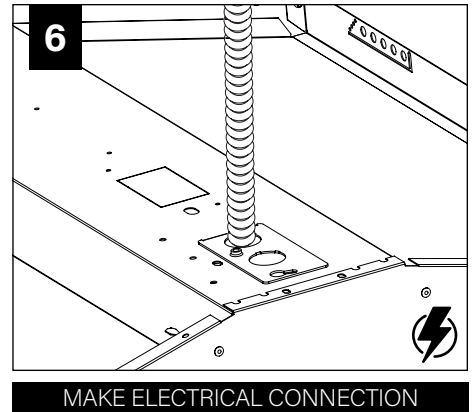
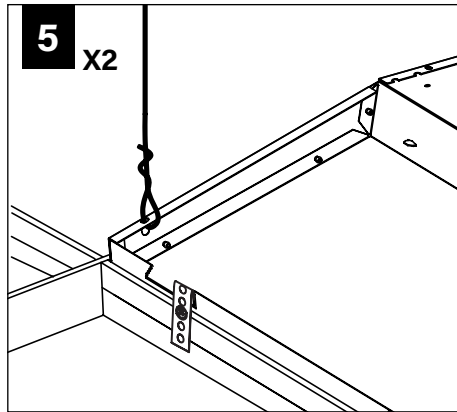
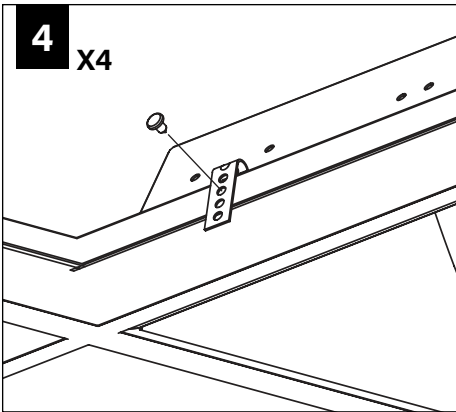
Grid



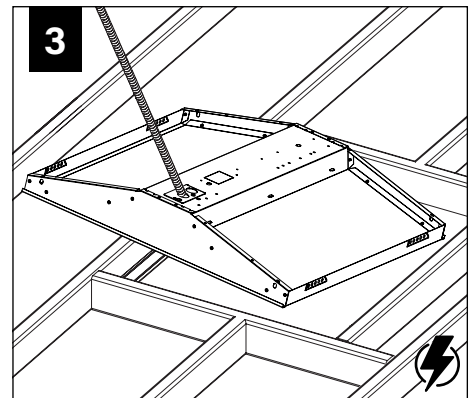
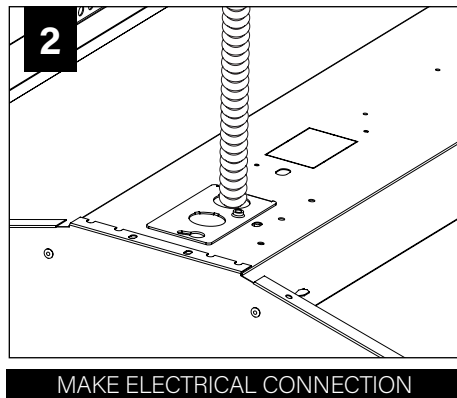
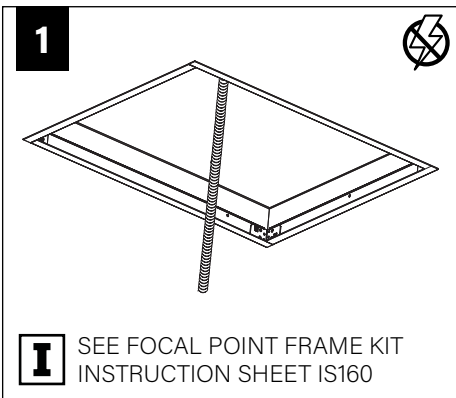
Air Return

GRID INSTALLATION

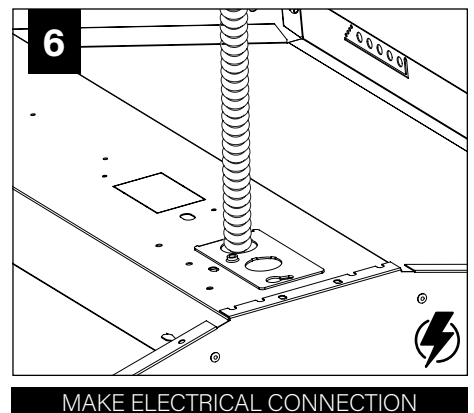
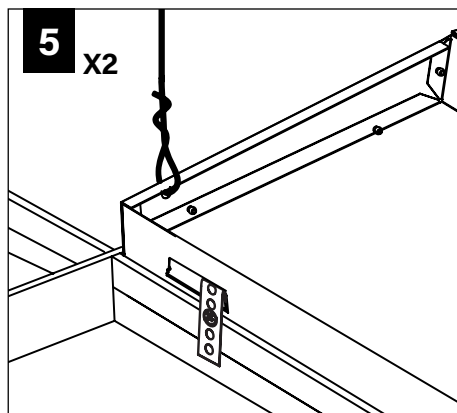
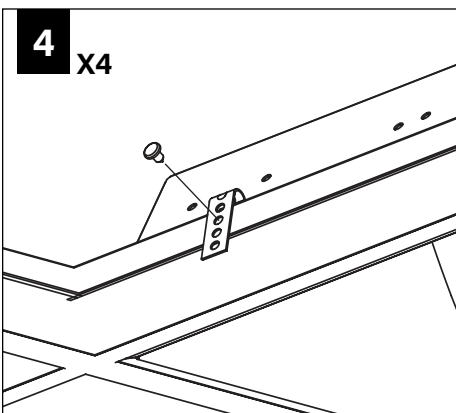
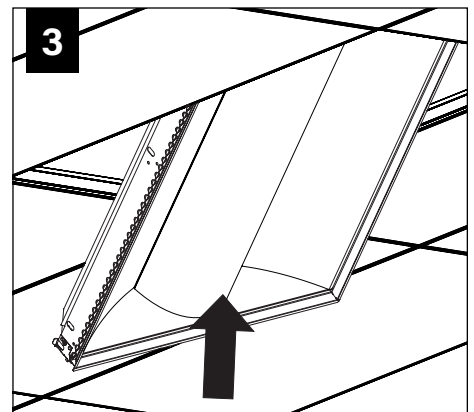
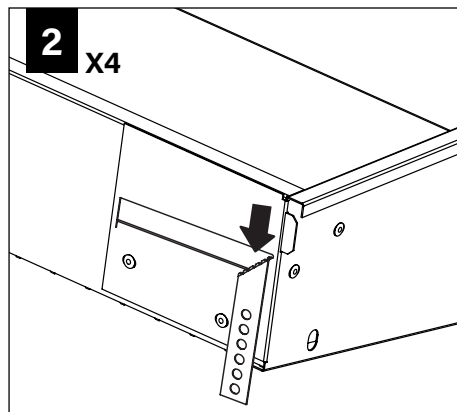
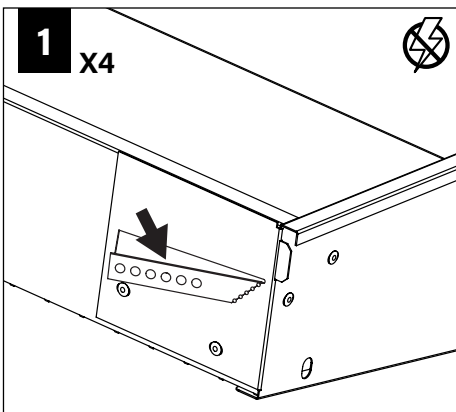




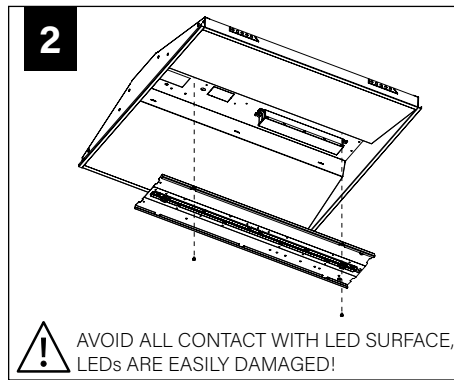
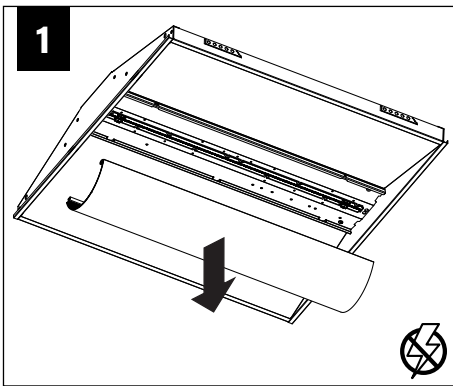
DRYWALL INSTALLATION



AIR RETURN INSTALLATION



SERVICE



EMERGENCY



SEE BATTERY MANUFACTURER
INSTRUCTIONS

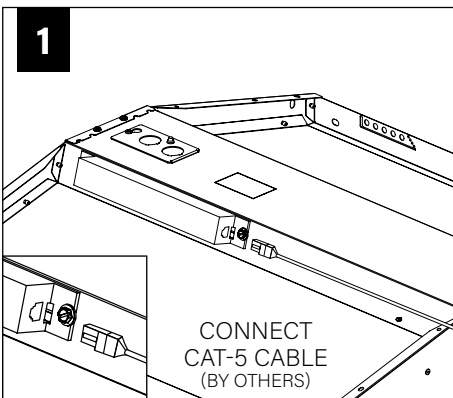
**EMERGENCY MAXIMUM
MOUNTING HEIGHT:**

1x2: 19.9' 1x4: 22.5'

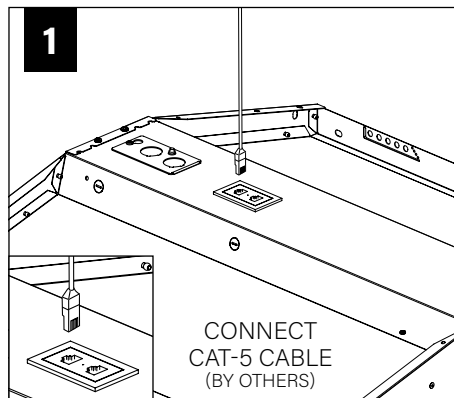
2x2: 19.9' 2x4: 22.5'



ACUITY nLIGHT



WATTSTOPPER



HUBBELL NX

