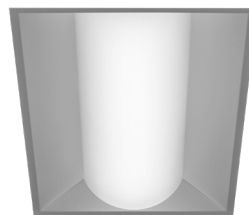




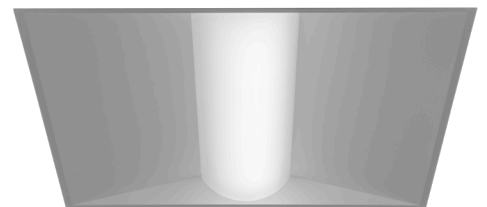
Amica 2

Economical Recessed Luminaire

Amica 2 is the next generation of Amica offering even illumination, high efficacy, a broad selection of lumen outputs, and integration with several building control systems, all at a very competitive price point. The new design, available in four sizes, accommodates shallow plenum ceilings while maintaining its classic lines. It features superior craftsmanship with a secured ribbed lens and hidden air return vents. It is the ideal luminaire for large commercial projects such as office buildings, education or healthcare facilities, and it is available fast via our 5-day Quickship program!



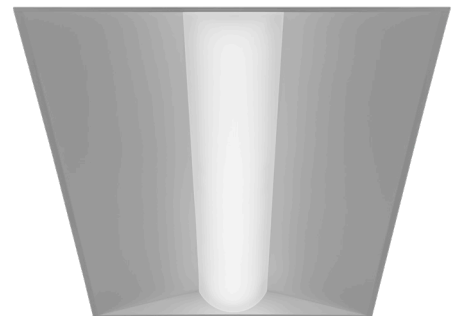
1' x 2'



2' x 2'



1' x 4'



2' x 4'

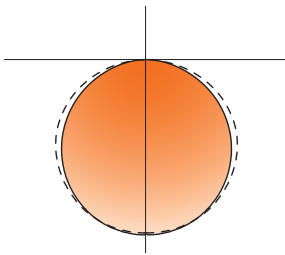


HIGH PERFORMANCE

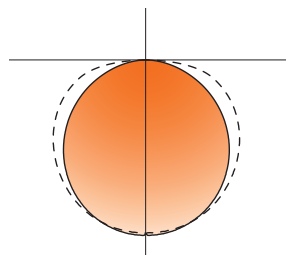
Standard and high lumen outputs meet stringent energy standards.

| Size | Delivered Lumens | Tested System Watts | LPW |
|---------|---------------------------------------|---------------------|-----------|
| 1' x 2' | 2000 - 4000 Lumens | 15 - 31 | 117 - 131 |
| | High Efficiency 2000 - 5000 Lumens | 14 - 42 | 113 - 132 |
| 1' x 4' | 4000 - 7500 Lumens | 30 - 64 | 117 - 124 |
| | High Efficiency 4000 - 8000 Lumens | 29 - 63 | 129 - 138 |
| 2' x 2' | 2000 - 4000 Lumens | 17 - 32 | 115 - 127 |
| | High Efficiency 2000 - 5000 Lumens | 15 - 42 | 116 - 132 |
| 2' x 4' | 4000 - 7500 Lumens | 32 - 67 | 121 - 129 |
| | High Efficiency 4000 - 8000 Lumens | 30 - 64 | 131 - 140 |

Based on 3500K. Lumen output may vary +/- 8%. Actual wattage may vary +/- 5%. *Indicates DLC Standard qualified products. *Not DLC listed. Visit designlights.org/QPL for model specifics.



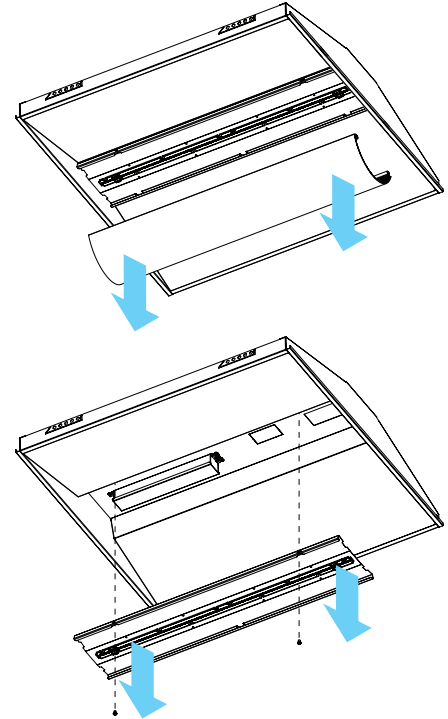
1' x 2' & 1' x 4'
example distribution



2' x 2' & 2' x 4'
example distribution

SUPERIOR DESIGN AND CRAFTSMANSHIP

Below ceiling access ensures easy maintenance of LED boards and drivers. The tight fit of the lens to the angular housing prevents light leak and promotes safety.



Integrates with intelligent building management systems through wired and wireless networks.



Ensures consistent delivered lumen outputs as technology upgrades occur, and offers the possibility to custom-program to specific wattages or lumen outputs within the range.