

BEFORE YOU BEGIN

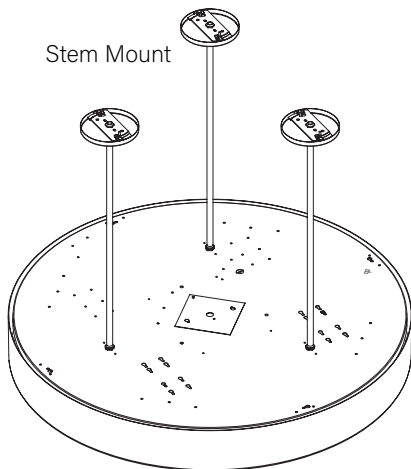
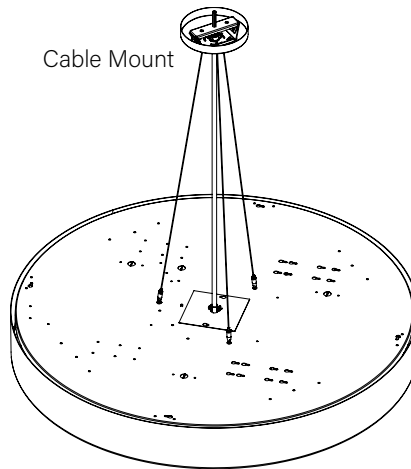
- Luminaires must be installed by a qualified electrician (check with local and national codes for proper installation).
- To prevent electrical shock, disconnect electrical supply before installation or servicing.
- Contractor is responsible for adequately reinforcing walls and/or ceilings to support fixture weight.
- Focal Point, LLC accepts no responsibility for inadequately reinforced walls and/or ceilings.
- The information contained in this drawing is the sole property of Focal Point, LLC. Any reproduction in part or whole without the written permission of Focal Point, LLC is prohibited.

INSTRUCTION KEY

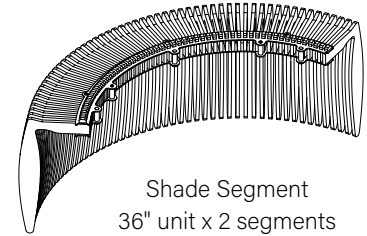
- ATTENTION**
- SEE ADDITIONAL INSTRUCTIONS**
- POWER OFF**
- POWER ON**

COMPONENT KEY

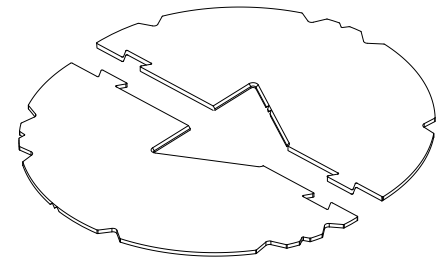
LIGHT ENGINE



PET SHADE



- 36" unit x 2 segments
- 48" unit x 3 segments
- 60" unit x 4 segments



- 36" unit x 2
- 48" unit x 3
- 60" unit x 4



- (700295)

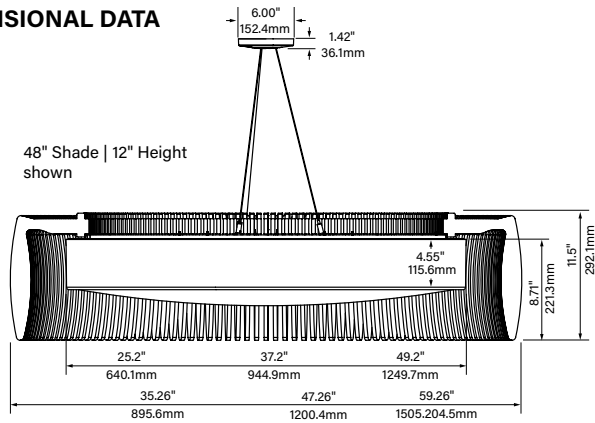
LIGHT ENGINE MUST BE INSTALLED
PRIOR TO PET SHADE

CABLE MOUNT INSTALLATION
SEE **PAGE 2**

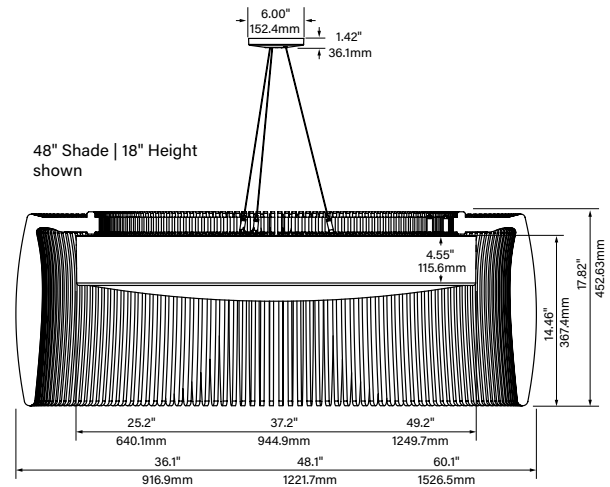
STEM MOUNT INSTALLATION
SEE **PAGE 3**

PET SHADE INSTALLATION
SEE **PAGE 4**

DIMENSIONAL DATA



48" Shade | 12" Height shown



48" Shade | 18" Height shown

LIGHT ENGINE INSTALLATION



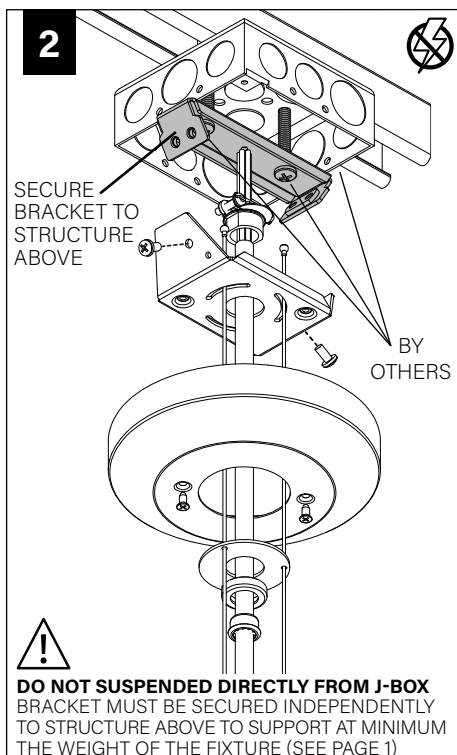
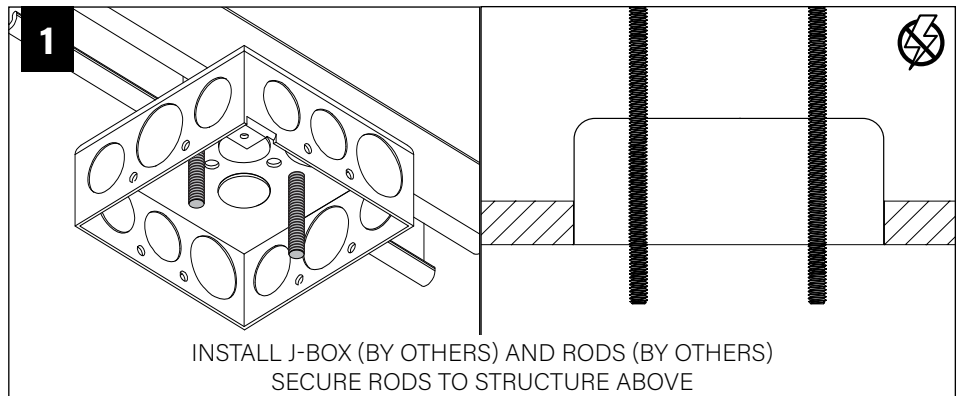
WEIGHTS:

36" UNIT - 42 LBS
2 PEOPLE RECOMMENDED FOR INSTALLATION

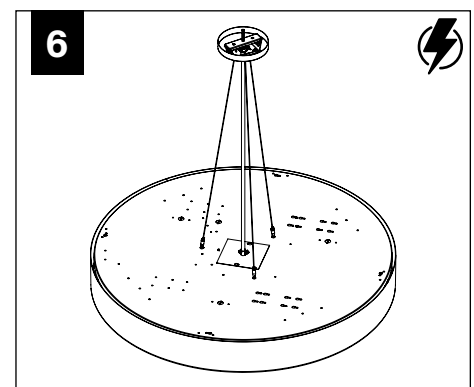
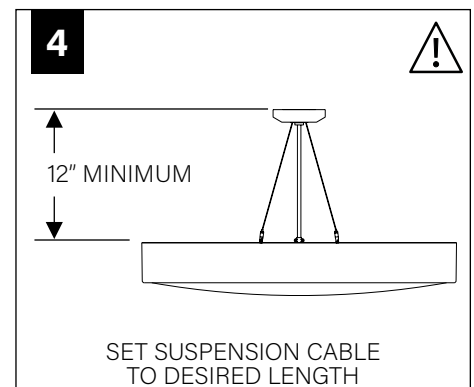
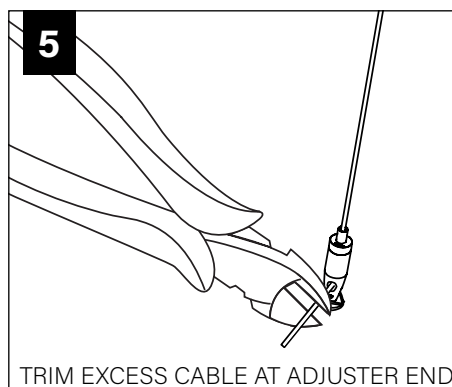
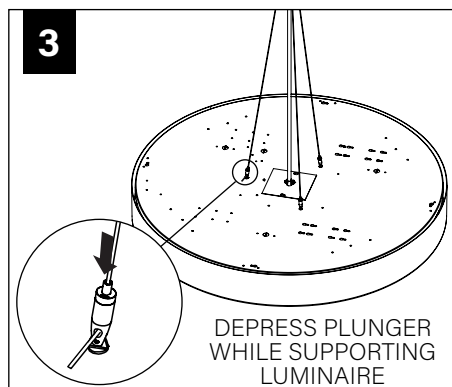
48" UNIT - 80 LBS
3 PEOPLE RECOMMENDED FOR INSTALLATION

60" UNIT - 110 LBS
3 PEOPLE RECOMMENDED FOR INSTALLATION

CABLE MOUNT



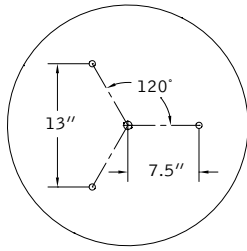
MAKE ELECTRICAL CONNECTION



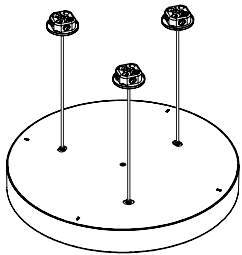
STEM MOUNT

2' DIAMETER

1

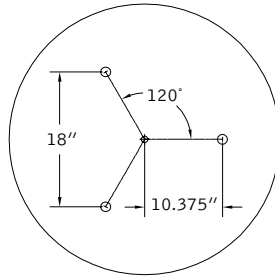


2

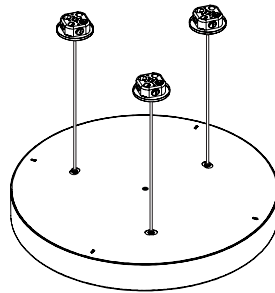


3' DIAMETER

1

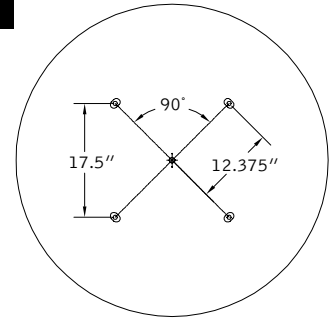


2

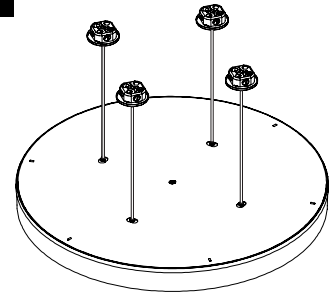


4' DIAMETER

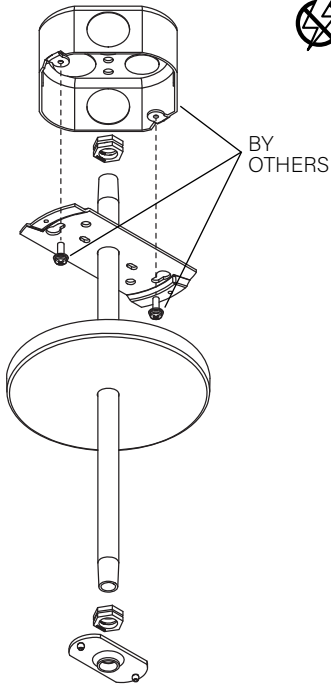
1



2

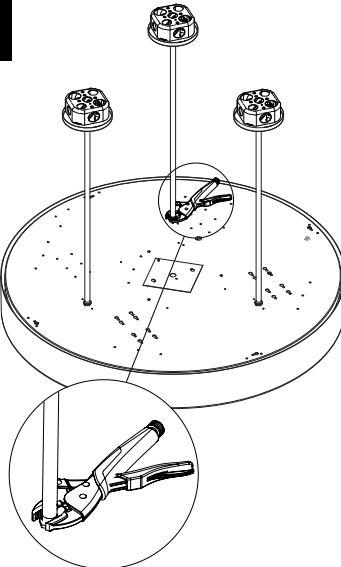


3



MAKE ELECTRICAL CONNECTION

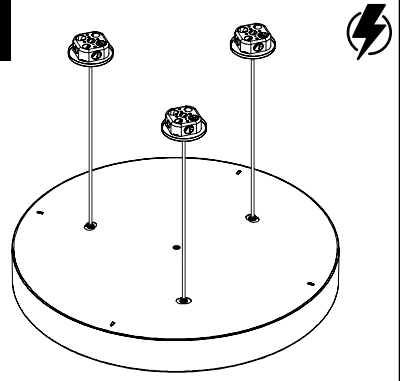
4



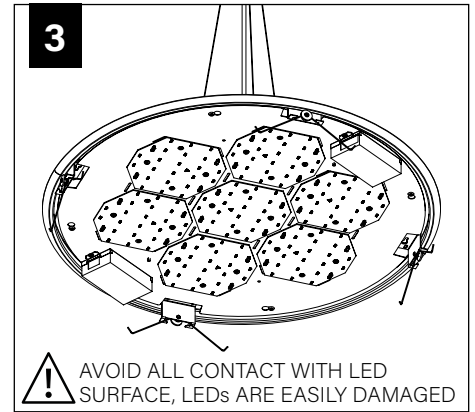
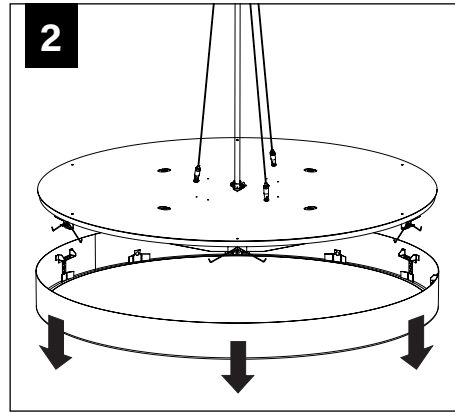
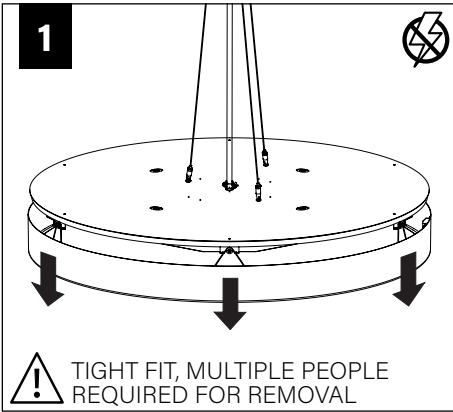
1. ATTACH THE STEM TO COVER. DO NOT OVER TIGHTEN STEM, THIS MAY CAUSE PINCHED WIRES.

2. USING PLIERS, SECURELY TIGHTEN LOCK NUT. STEM MUST BE SECURELY TIGHTENED AND UNABLE TO SPIN LOOSE.

5



DRIVER SERVICE



EMERGENCY



SEE BATTERY MANUFACTURER INSTRUCTIONS

EMERGENCY MAXIMUM MOUNTING HEIGHT:
16.00'

PET SHADE INSTALLATION

