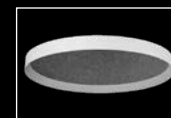


# Skydome Edge® Acoustic

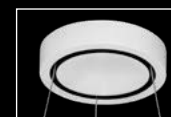
UNLIT PENDANT & SURFACE MOUNT



The Naturals collection - Chestnut & White shown



surface mount

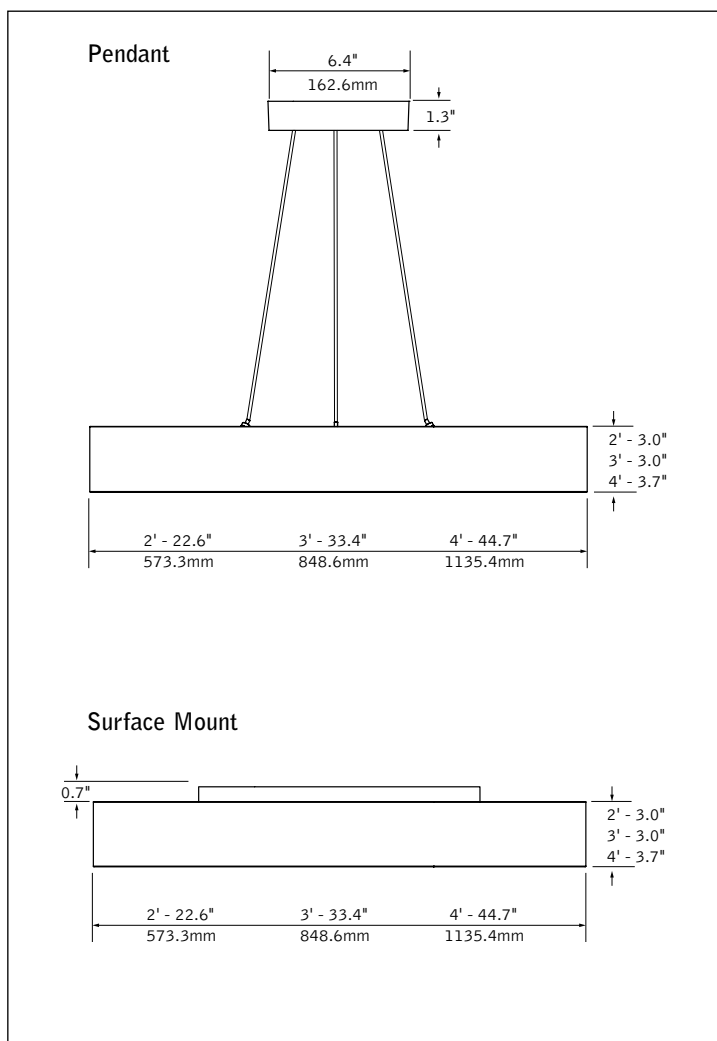


canopy detail



illuminated companion

## DIMENSIONAL DATA



## FEATURES

Sound-absorbing acoustic panel in a shallow housing.

Acoustic panel may be paired with Skydome Edge luminaires to create a coordinated look in interior spaces.

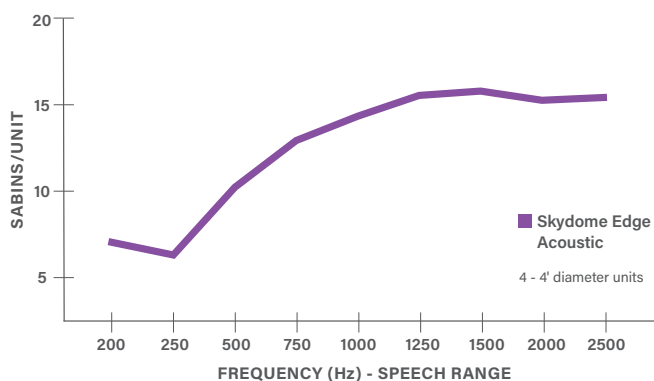
Slot canopy conceals mechanical elements.

Knife-edge design provides a modern aesthetic.

Available in nominal 2', 3' and 4' diameters.

Available with The Naturals, a series of finishes that exude biophilic beauty.

## ACOUSTIC PERFORMANCE



fixture:

project:

## SPECIFICATIONS

### Acoustic Material

<b>Content</b>	Housing material is 100% polyester containing up to 50% of recycled plastic bottles (PET felt) and is moisture resistant.  See page 3 for color offering. Acoustic material colors are subject to change without notice. For the most current color options, please visit focalpointlights.com/acousticsolutions. Lead times may vary depending on color.
<b>Cleaning and Care</b>	Remove dust and debris with a clean, soft, lint-free cloth or vacuum
<b>PET Thickness</b>	9mm
<b>Surface Burning Characteristics</b>	ASTM E84 Class A / CAN ULC S102 Flame Spread: 0 Smoke Development Index: 300

### Acoustic Performance

Acoustic testing is performed on all Focal Point acoustic products and varies based on installation and configuration. ASTM C423 test reports can be downloaded from focalpointlights.com. Contact acoustic.solutions@focalpointlights.com for technical questions.

<b>Sabins</b>	Sabins is a unit of sound absorption. It measures how well one square foot of material absorbs sound. Focal Point has averaged the Sabins per unit at four specific frequency bands representing the human speech range (250, 500, 1000, 2000 Hz) to determine the Sabins per product.  4' diameter, 16" spacing = 11.52 Sabins
<b>NRC</b>	Noise Reduction Coefficient (NRC) is the average of how absorptive a material is at various frequencies within the human speech frequency range. Two materials with the same rating may not perform the same in application. Typically, an NRC of 0 indicates perfect reflection, and an NRC of 1 is designated as perfect absorption. However, based on the testing methodology and depending upon the material's shape or surface area products can test at an NRC greater than 1.  NRC = 1.05

### Housing Construction

Extruded aluminum housing. Weights: 2' unit: 24lbs, 3' unit: 48lbs, 4' unit: 82lbs.

### Mounting

White canopy provided. Minimum mounting heights: 2' unit: 15", 3' unit: 30", 4' unit: 45". Consult factory for alternate 3-point suspension options when shorter mounting heights are required.

### Finish

Polyester powder coat applied over a multi-stage pre-treatment.

### Reliability

At Focal Point, our products are designed to stand the test of time. Each product is engineered using superior components, manufactured with the utmost care and rigorously tested.

### Warranty

1-year limited warranty.

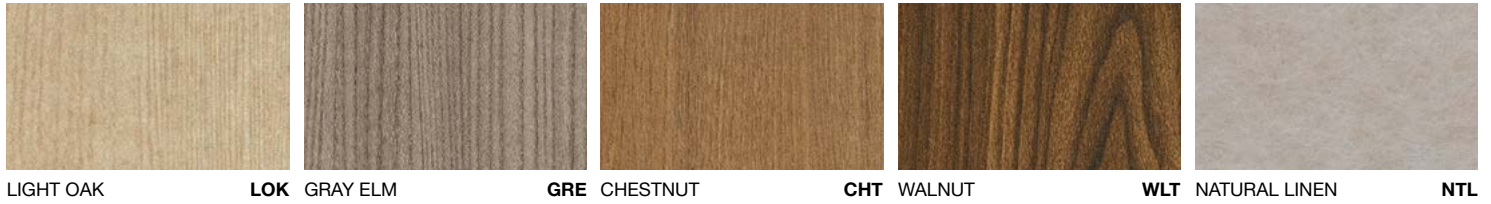
## ORDERING

Series	AUSDEP	
Skydome Edge Acoustic Unlit	AUSDEP	
<b>Nominal Size</b>		
2' Diameter	2	_____
3' Diameter	3	
4' Diameter	4	
<b>Mounting</b>		
24" Aircraft Cable <small>(2' diameter only)</small>	C24	_____
48" Aircraft Cable	C48	
96" Aircraft Cable <small>(Consult factory for alternate lengths or 3-point suspension options)</small>	C96	
Surface Mount	SM	
<b>Acoustic Panel Color</b>		
See page 3 for color offerings		
<b>Housing Finish</b>		
<small>(Consult factory for The Naturals finishes)</small>		
Matte Satin White	WH	
Titanium Silver	TS	
Matte Black	BK	
Custom Color <small>(Specify your RAL color value. Extended lead time consult factory.)</small>	RAL_ _ _ _	

# Acoustic Materials



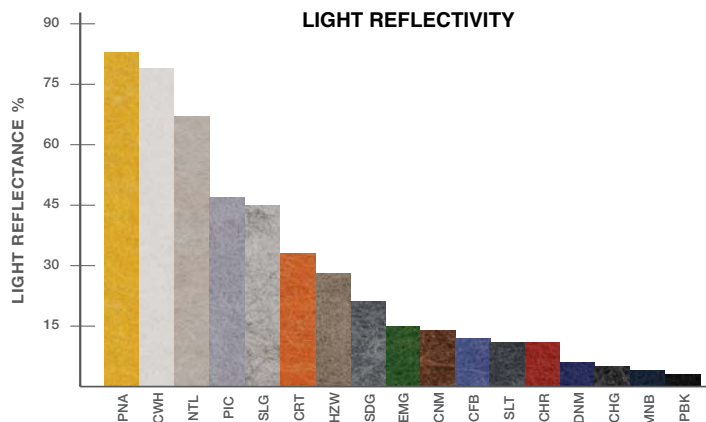
## THE NATURALS (25% SCALE)



## STANDARD PET



## PREMIUM PET



**PET**  
Focal Point, LLC

**Final Assembly:** Chicago, Illinois, USA  
**Life Expectancy:** 30 Year(s)  
**End of Life Options:** Salvageable/Reusable in its Entirety, Recyclable (100%)

**Ingredients:**

**Polyethylene terephthalate:** PET; **N, N'-Ethylene bisstearamide:** Octadecanamide, N,N'-1,2-ethanediylbis-; **Stearic Acid;** **Antioxidant 1076:** Benzenepropanoic acid, 3,5-bis(1-(1-dimethylethyl)-4-hydroxy-, octadecyl ester; **Antioxidant KY-405:** Benzenamine, 4-(1-methyl-1-phenylethyl) -N-[4-(1-methyl-1-phenylethyl)phenyl]; **Titanium Dioxide:** Titanium dioxide

**Living Building Challenge Criteria:**

**I-13 Red List:**

- LBC Red List Free
- LBC Red List Approved
- Declared

**% Disclosed:** 100% at 100ppm  
**VOC Content:** Not Applicable

**I-10 Interior Performance:** Not Compliant  
**I-14 Responsible Sourcing:** Not Applicable

FPL-0001  
EXP. 01 APR 2025  
Original Issue Date: 2020

INTERNATIONAL LIVING FUTURE INSTITUTE™ [living-future.org/declare](http://living-future.org/declare)