

AirCore Bridge®

AUABG

AirCore Technology™



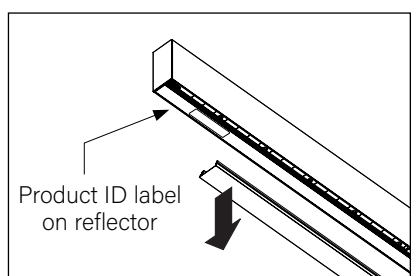
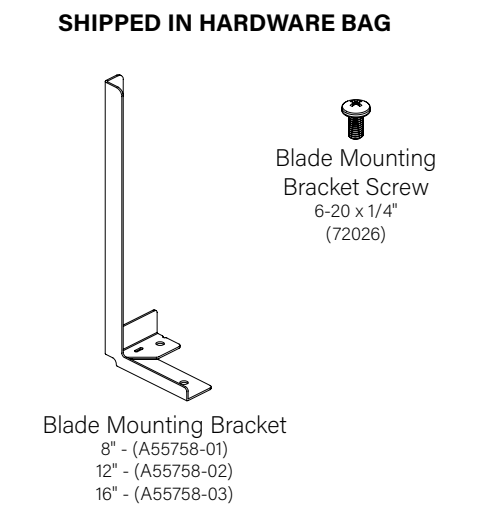
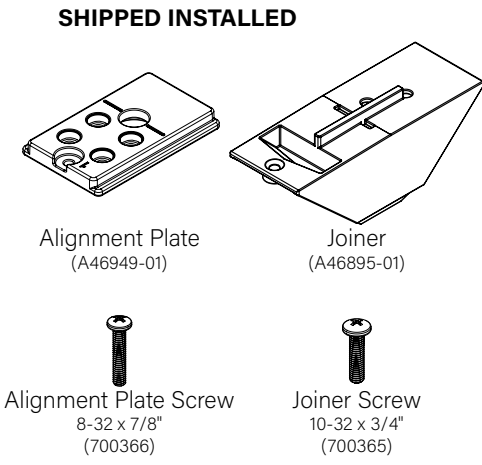
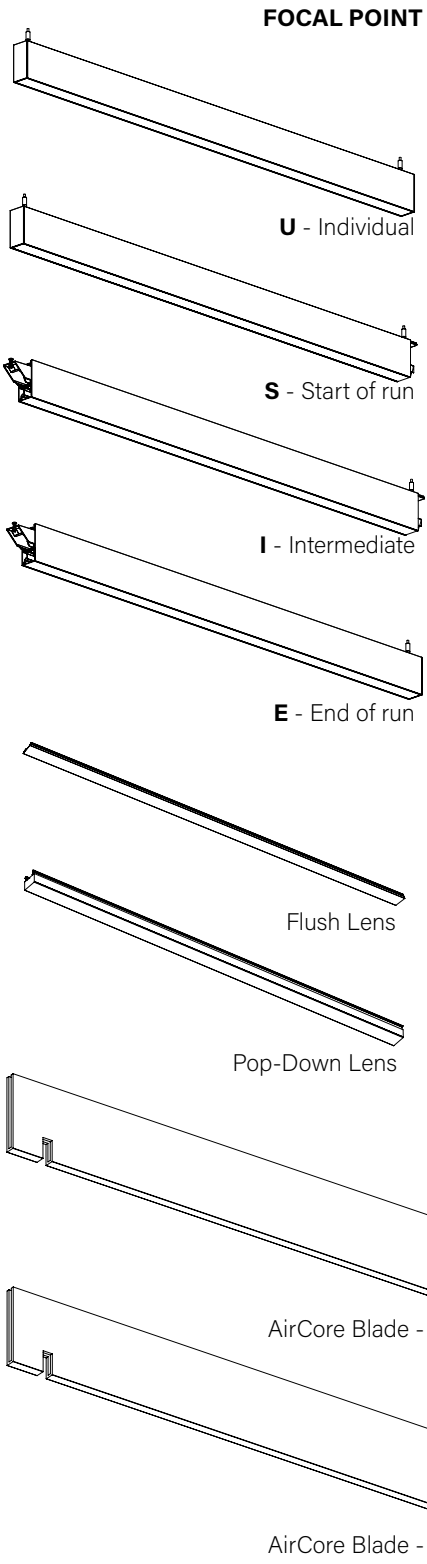
BEFORE YOU BEGIN

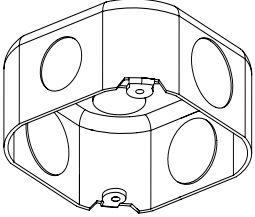
- Configurations are run specific, please consult factory drawings before beginning installation.
- Luminaires must be installed by a qualified electrician (check with local and national codes for proper installation).
- To prevent electrical shock, disconnect electrical supply before installation or servicing.
- Contractor is responsible for adequately reinforcing walls and/or ceilings to support fixture weight.
- Focal Point, LLC accepts no responsibility for inadequately reinforced walls and/or ceilings.
- The information contained in this drawing is the sole property of Focal Point, LLC. Any reproduction in part or whole without the written permission of Focal Point, LLC is prohibited.

INSTRUCTION KEY

- ATTENTION
- SEE ADDITIONAL INSTRUCTIONS
- POWER OFF
- POWER ON

COMPONENT KEY





! PROPERLY AFFIX J-BOX TO STRUCTURE ABOVE

INSTALL POWERED/UNPOWERED J-BOX ACCORDING TO LOCAL CODE

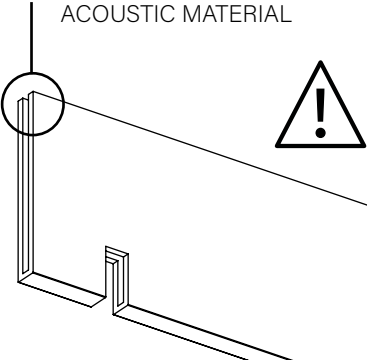
! CEILING INSTALLATIONS:

CEILING STRUT - PG 7

DRYWALL/HARD SURFACE - PG 8

GRID CEILING - PG 8


DO NOT HANDLE BY LIP OF ACOUSTIC MATERIAL



SEEM 1 INSTALLATION

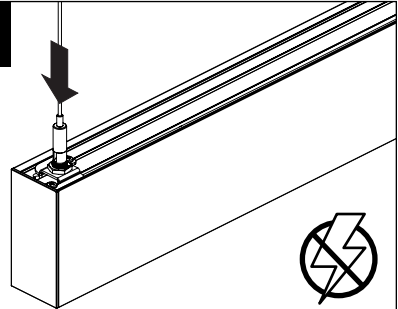
! INDIVIDUAL INSTALLATIONS FOLLOW STEPS 1, 2 & 9

1



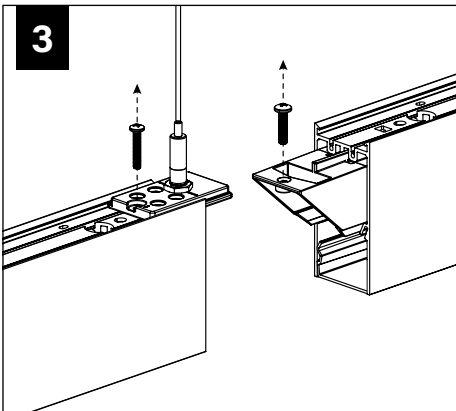
Follow Focal Point instructions for Universal Suspension System assembly. See IS0166

2

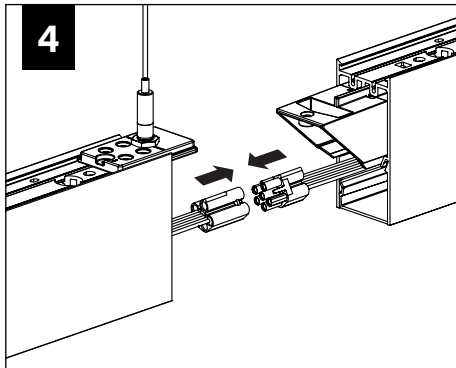


! Two cable grippers each for individual and start, one for intermediate and end housings.

3

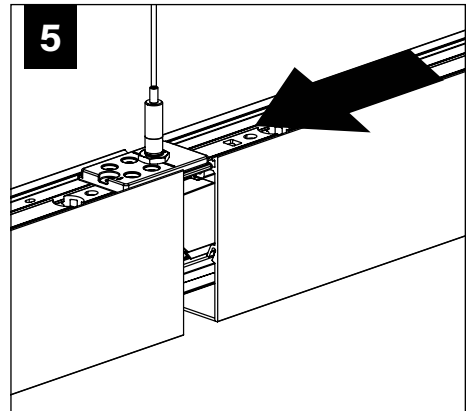


4

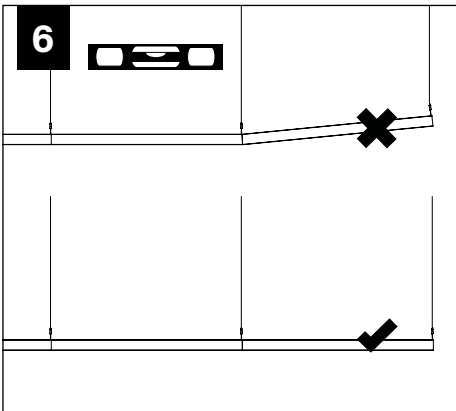


MAKE ELECTRICAL CONNECTION

5

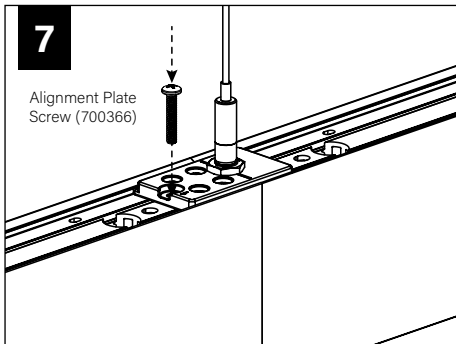


6



7

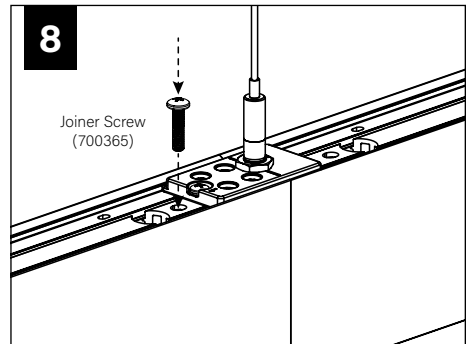
Alignment Plate Screw (700366)



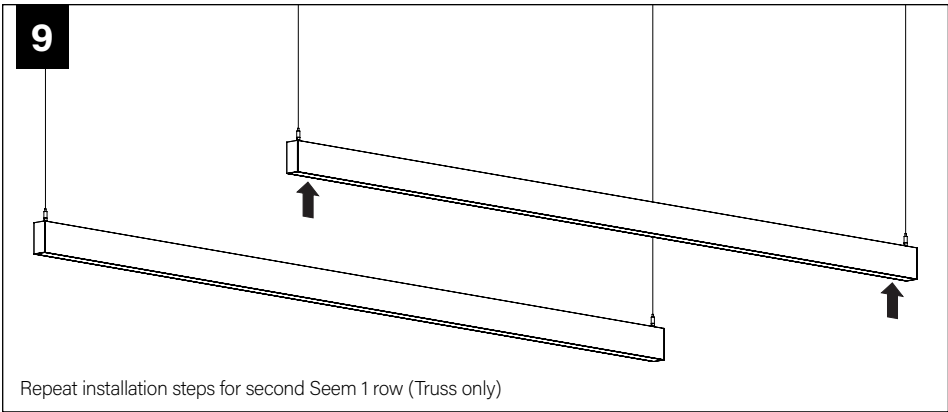
! DO NOT OVERTIGHTEN. Note: Screw head may not seat to bracket.

8

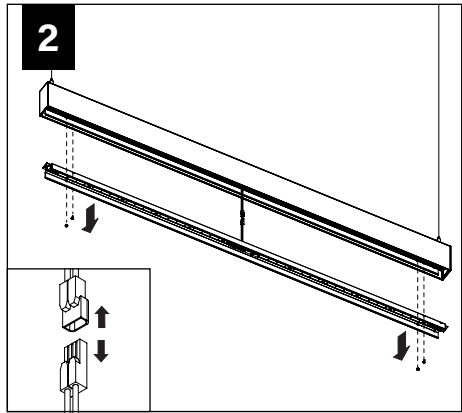
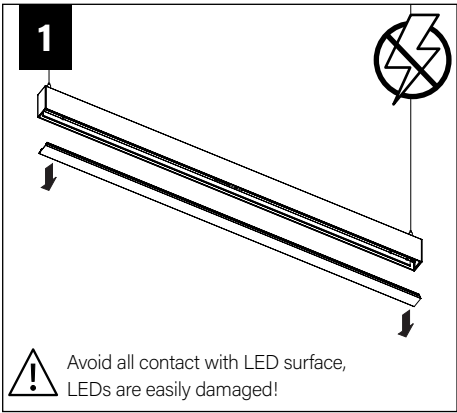
Joiner Screw (700365)



! Seat screw firmly.



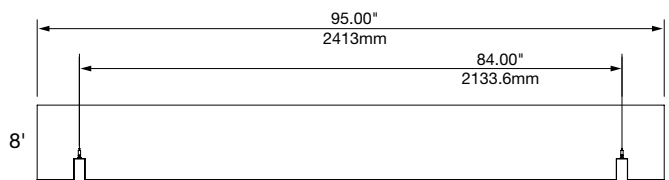
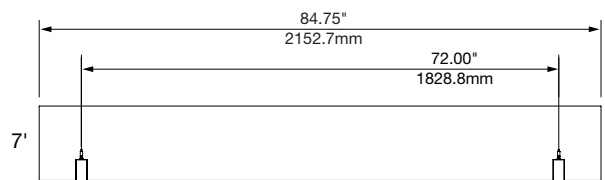
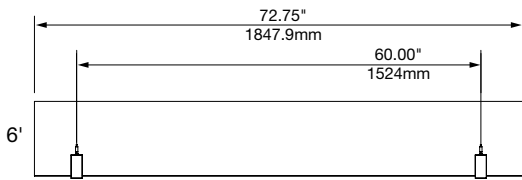
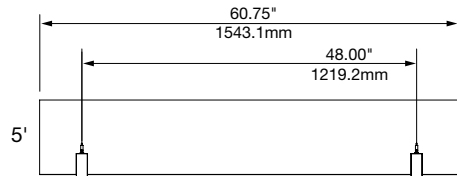
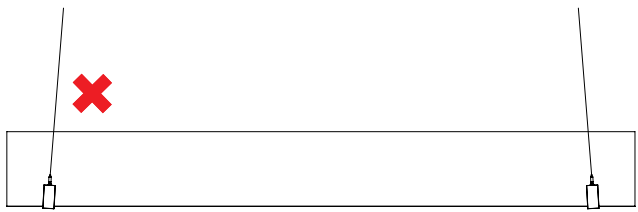
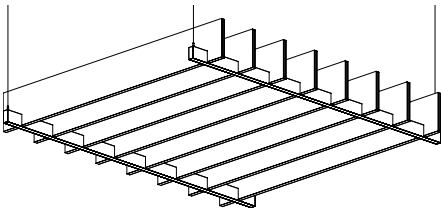
DRIVER SERVICE

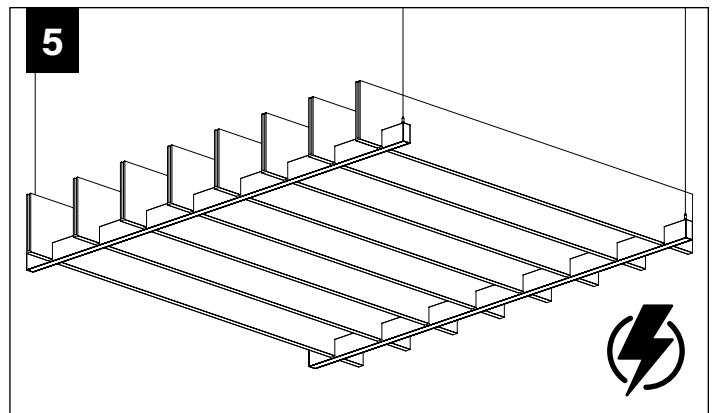
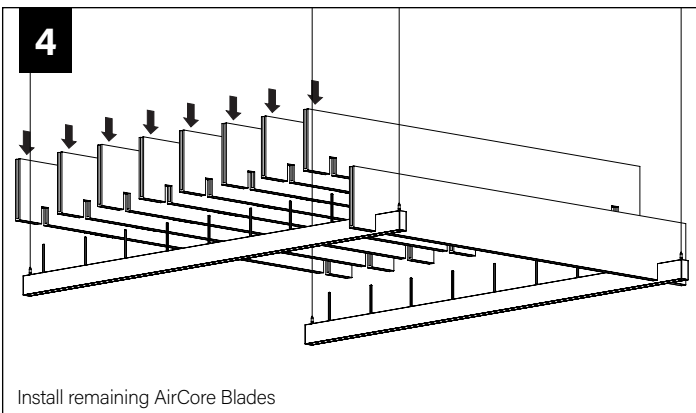
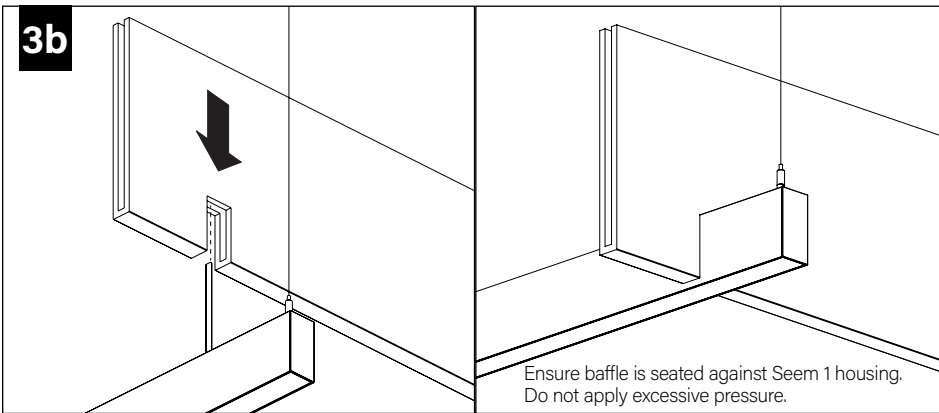
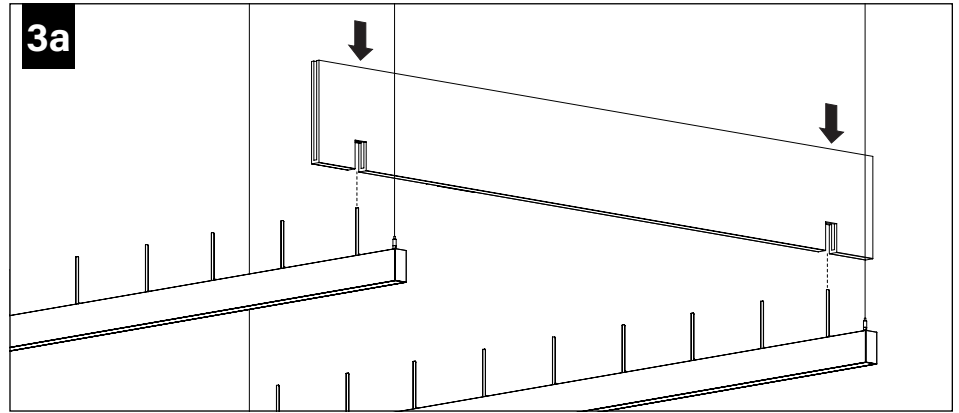
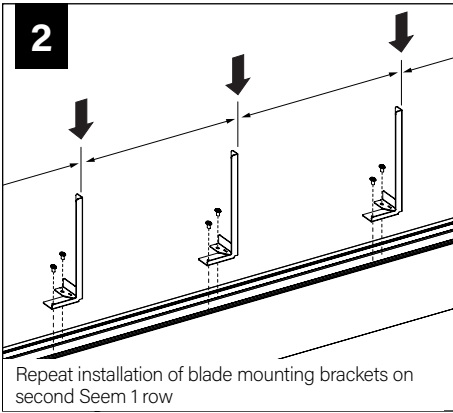
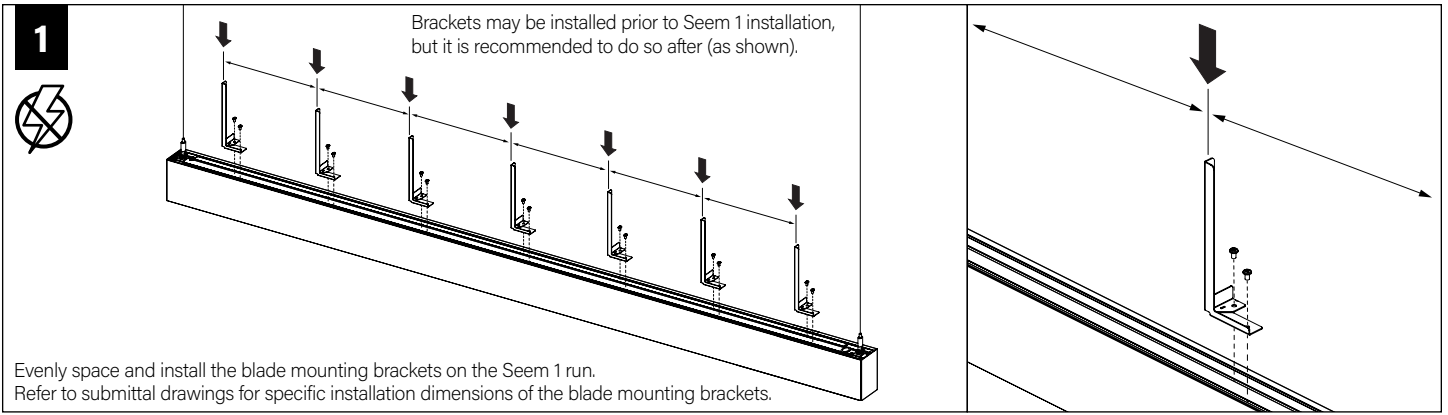


AIRCORE BRIDGE TRUSS INSTALLATION

MOUNTING LOCATIONS - TRUSS

⚠️ On-center spacing tolerance between suspension points is critical for proper installation of AirCore Blades



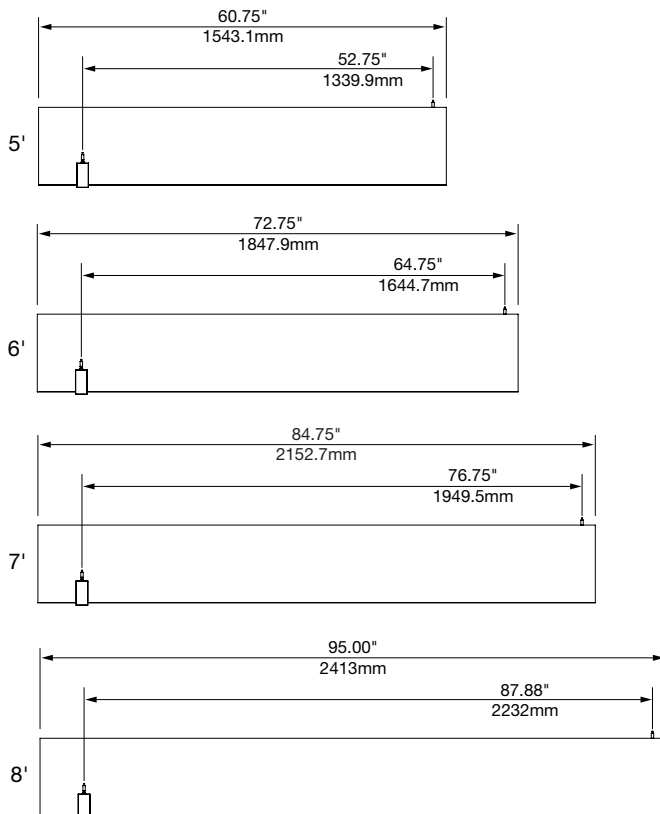
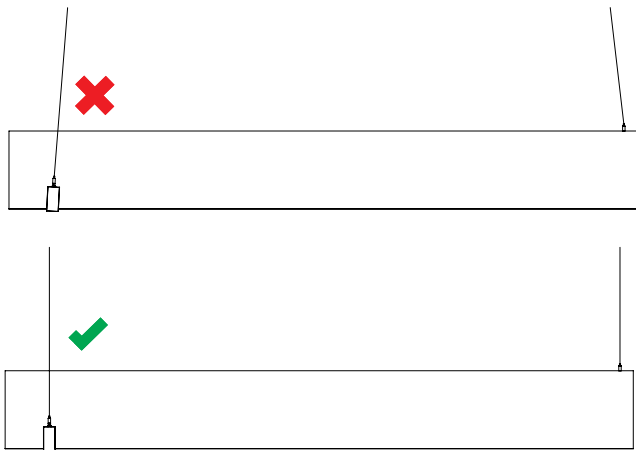
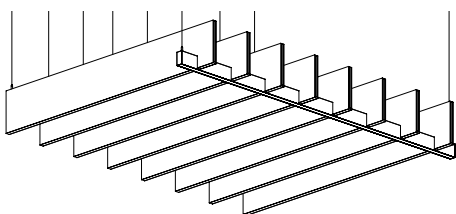


AIRCORE BRIDGE CANTILEVER/ CANTILEVER WAVE INSTALLATION



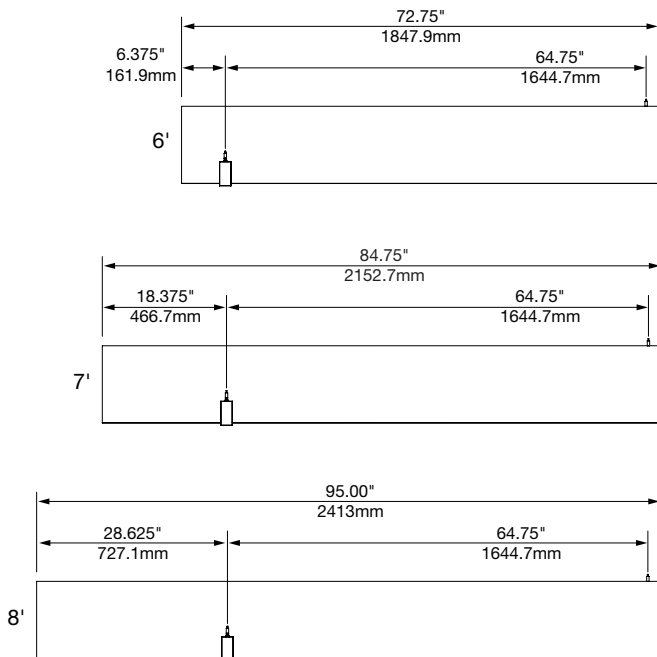
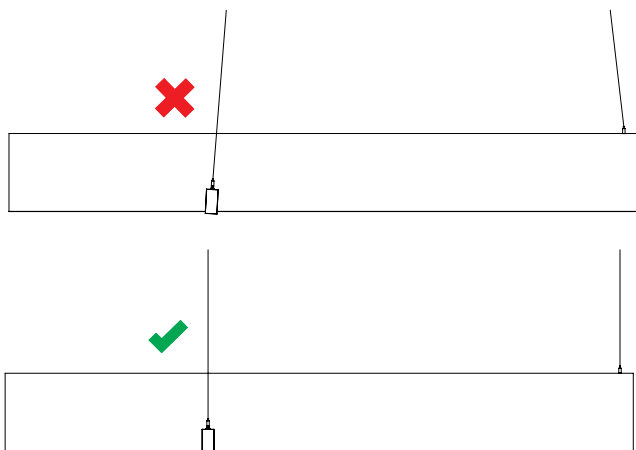
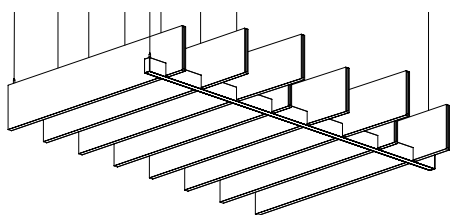
MOUNTING LOCATIONS - CANTILEVER

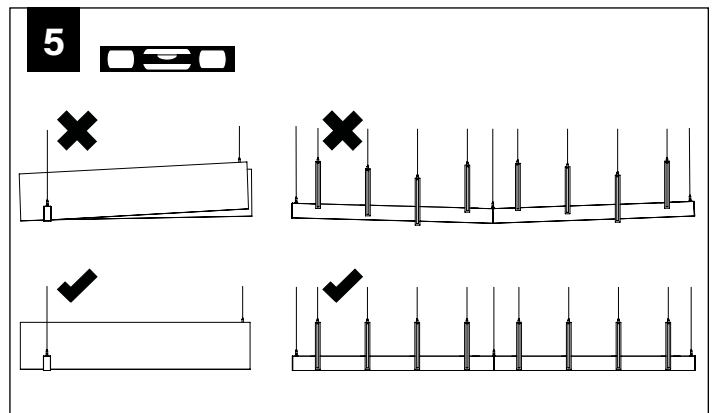
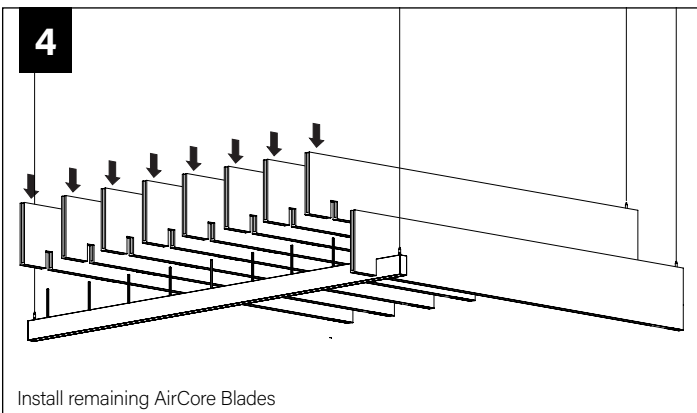
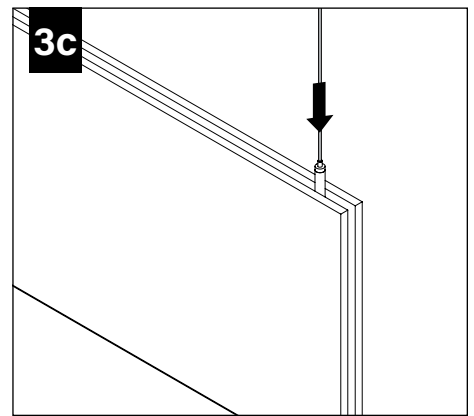
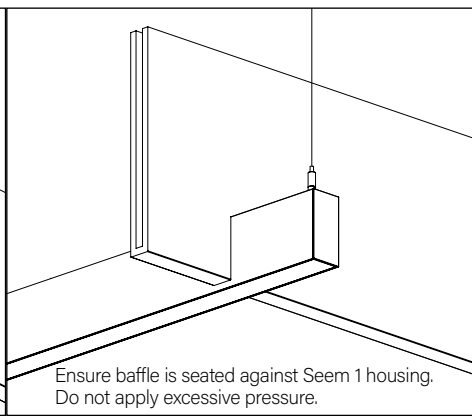
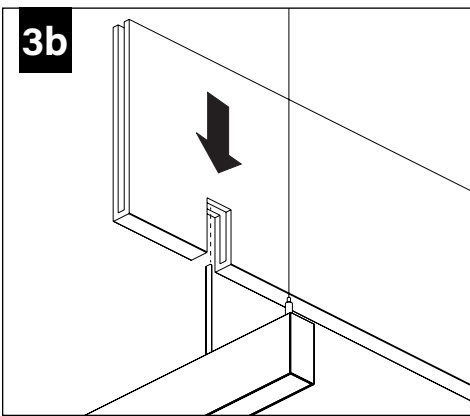
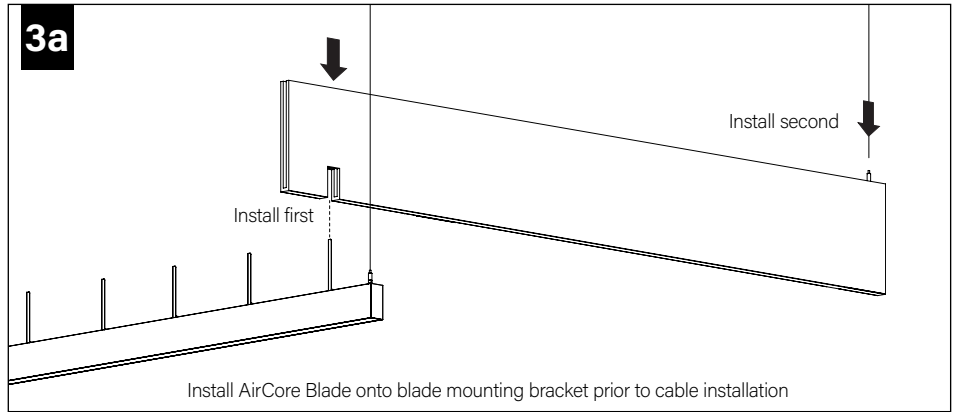
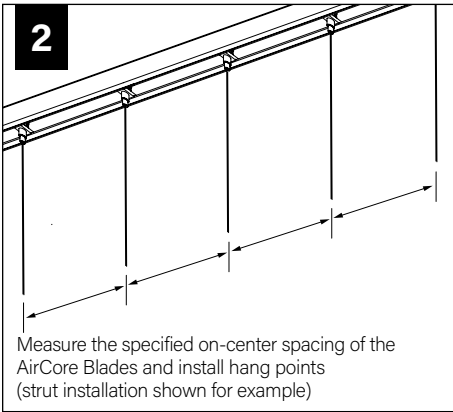
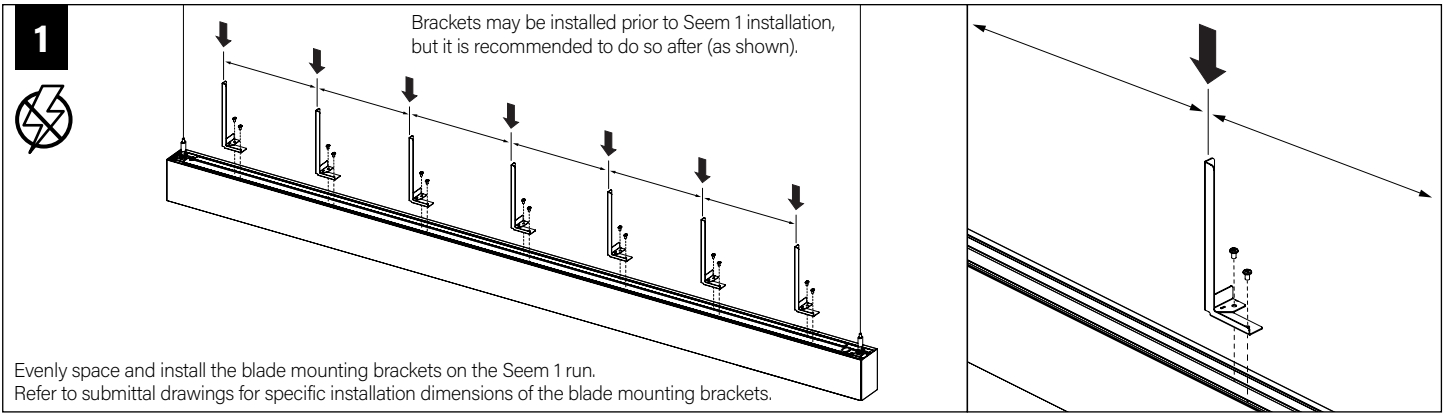
On-center spacing tolerance between suspension points is critical for proper installation of AirCore Blades

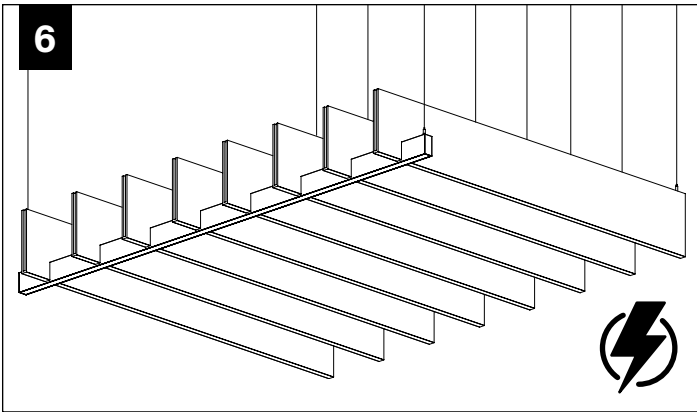


MOUNTING LOCATIONS - CANTILEVER WAVE

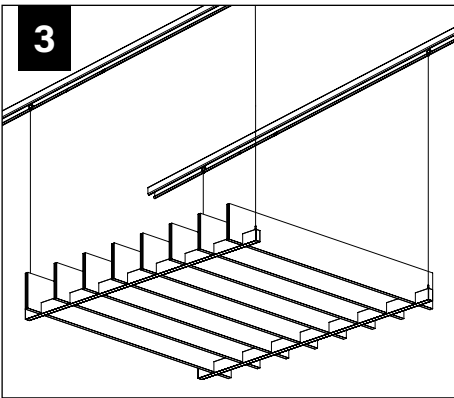
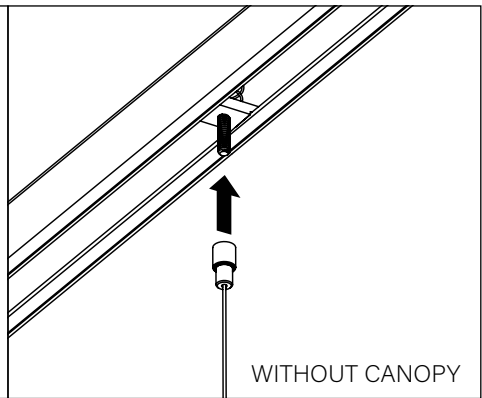
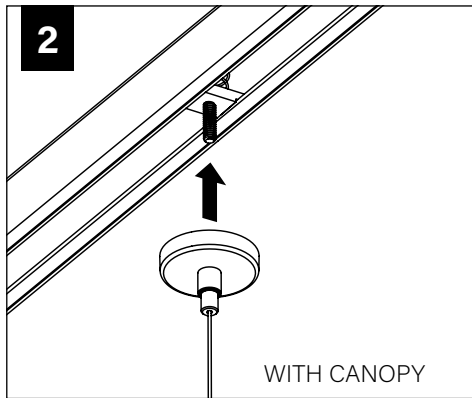
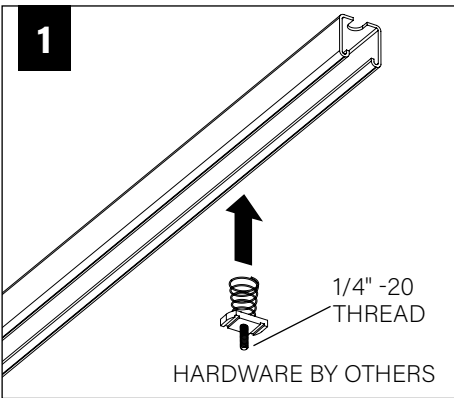
On-center spacing tolerance between suspension points is critical for proper installation of AirCore Blades



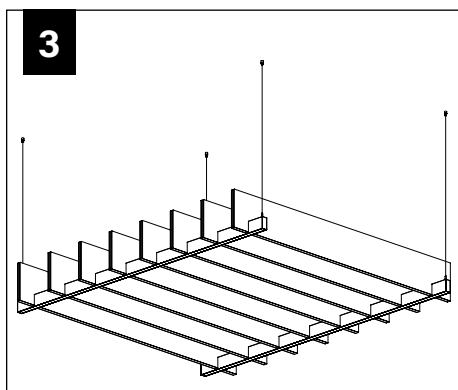
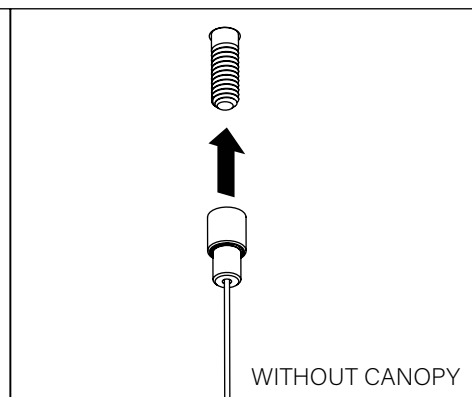
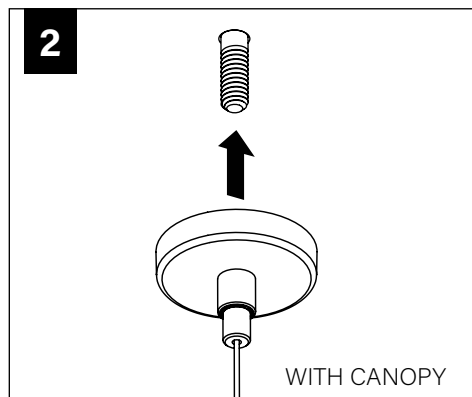
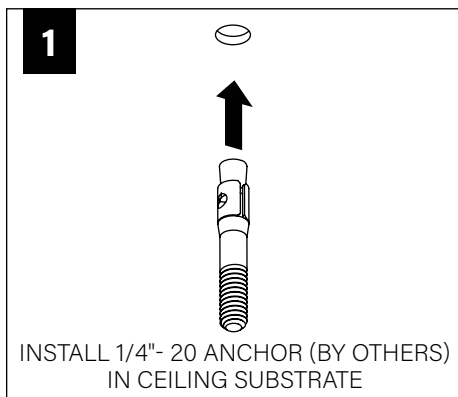




CEILING STRUT INSTALLATION



DRYWALL/HARD SURFACE CEILING INSTALLATION



GRID CEILING INSTALLATION

