

Seem® 1 & Seem® 2 Acoustic

ASM1S | AUSM1S | ASM2S | AUSM2S - Direct To Strut, Direct To Grid

AirCore Technology™



FOCAL POINT®



BEFORE YOU BEGIN

- Luminaires must be installed by a qualified electrician (check with local and national codes for proper installation).
- To prevent electrical shock, disconnect electrical supply before installation or servicing.
- Contractor is responsible for adequately reinforcing walls and/or ceilings to support fixture weight.
- Focal Point, LLC accepts no responsibility for inadequately reinforced walls and/or ceilings.
- The information contained in this drawing is the sole property of Focal Point, LLC. Any reproduction in part or whole without the written permission of Focal Point, LLC is prohibited.

INSTRUCTION KEY



ATTENTION



SEE ADDITIONAL INSTRUCTIONS



POWER OFF



POWER ON



POWER CABLE LENGTH 30"

#1 PHILLIPS DRIVER BIT
REQUIRED FOR INSTALLATION
OF JOINED RUNS

INDIVIDUAL UNITS
CANNOT BE JOINED
IN THE FIELD

SEEM 1 ACOUSTIC UNITS
CANNOT BE CUT TO LENGTH
IN THE FIELD



DIRECT TO GRID
RUN LENGTHS
ARE LIMITED TO 16FT.

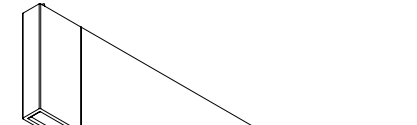
RUNS SHOULD BE JOINED
ON A FLAT SURFACE **BEFORE**
MOUNTING TO GRID.



DO NOT HANDLE BY LIP OF ACOUSTIC MATERIAL

COMPONENT KEY

FOCAL POINT



U
Individual



S
Start of Run



I
Intermediate



E
End of Run

SHIPPED INSTALLED



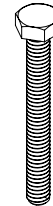
Access Cover Screw
(72026)

SHIPPED IN HARDWARE BAG

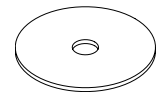


Joiner Screw
(700295)

DIRECT TO STRUT BAGGED HARDWARE

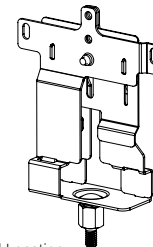


Bolt
1/4-20 x 2.75"
(700388)

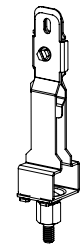


Flat Washer
1.5" x .281" x .062"
(75221)

DIRECT TO GRID BAGGED HARDWARE

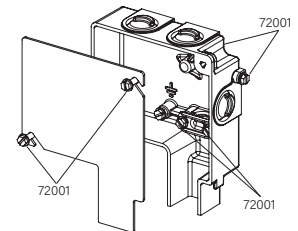


Feed Location
5" Grid Bracket
Assembly
(14470 & 700389)



Non-Feed Location
2" Grid Bracket
Assembly
(14469 & 700389)

Feed Location
Splice Box
Assembly
if required by code
(16102 & 72001)





CONFIGURATIONS ARE RUN SPECIFIC, PLEASE CONSULT FACTORY DRAWINGS BEFORE BEGINNING INSTALLATION.

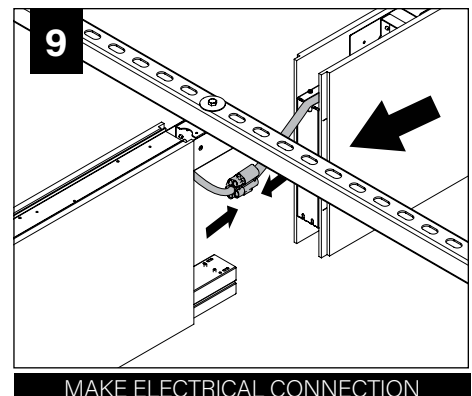
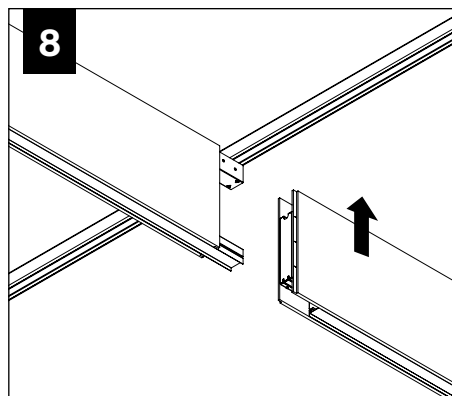
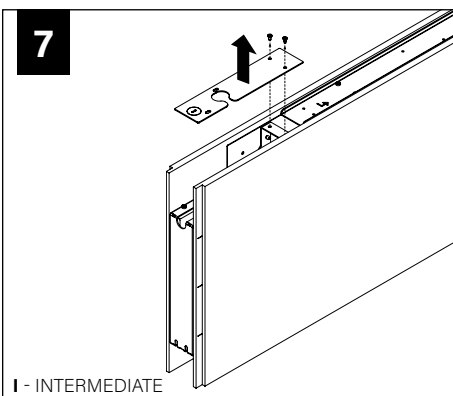
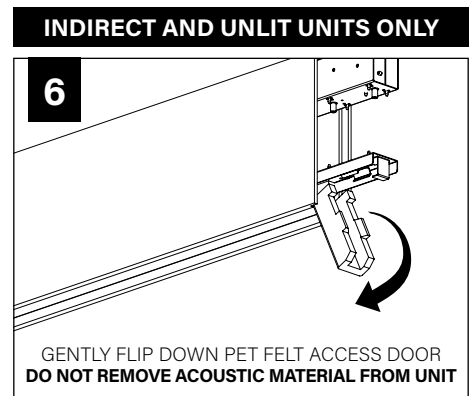
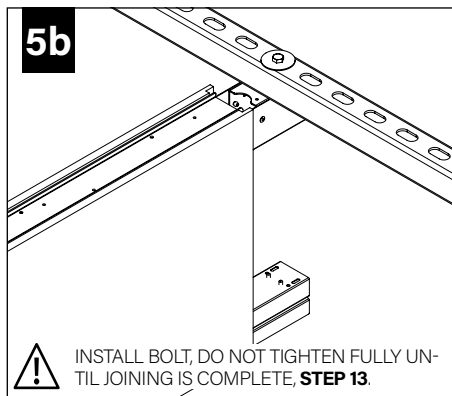
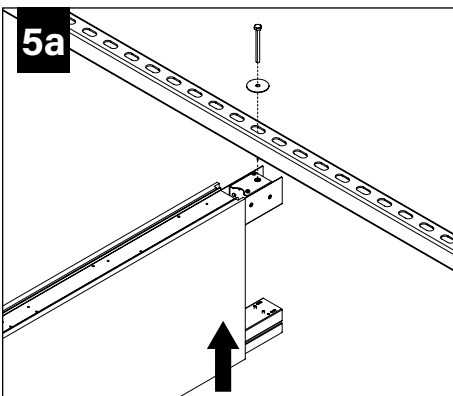
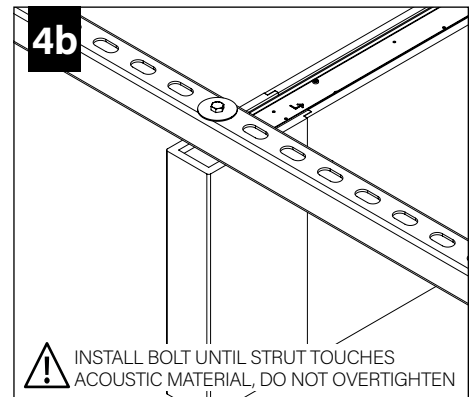
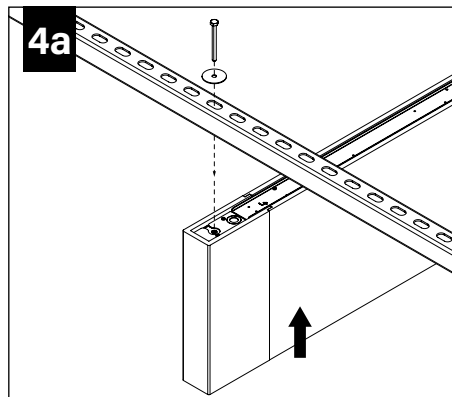
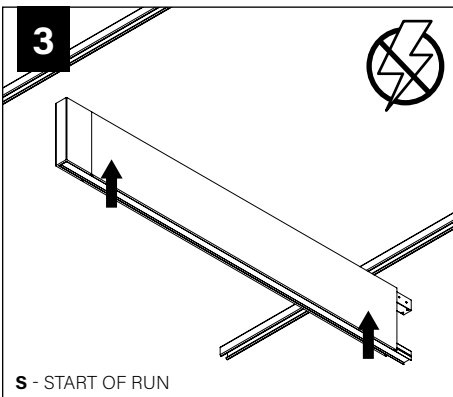
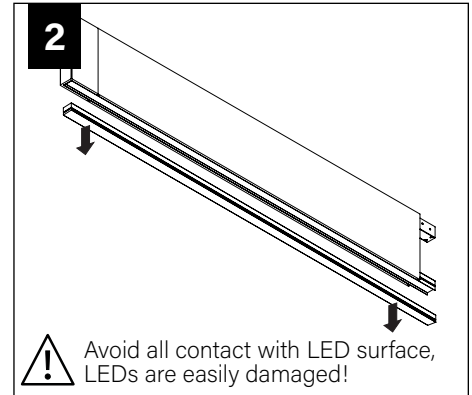
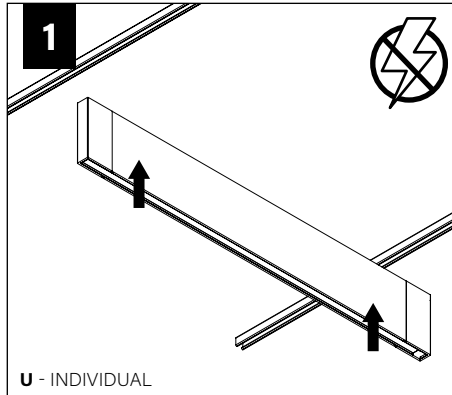


DIRECT TO STRUT INSTALLATION

I

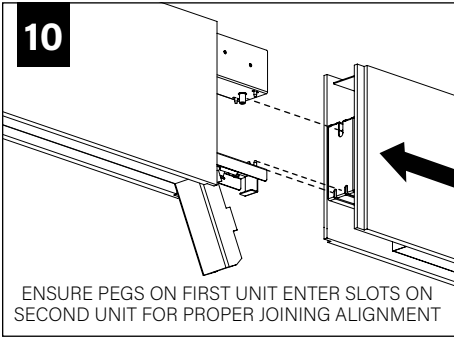
FOR INDIVIDUAL UNITS FOLLOW
STEPS 1, 4 & 11

FOR RUNS START AT
STEP 2



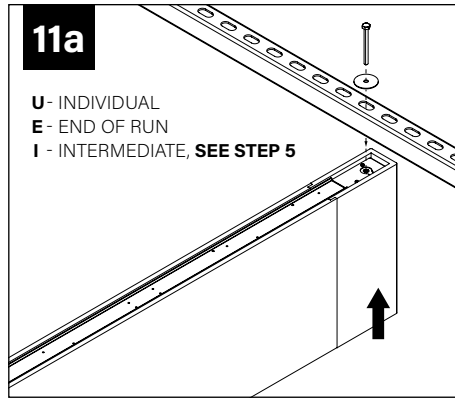
INDIRECT AND UNLIT UNITS ONLY

10

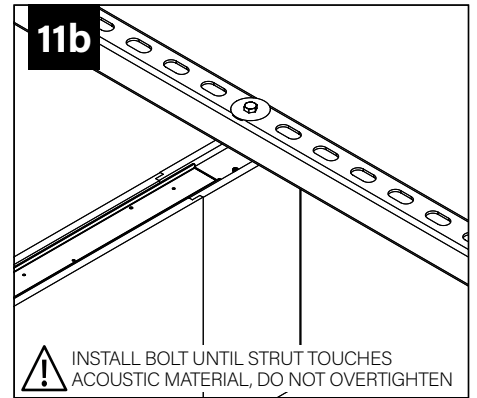


11a

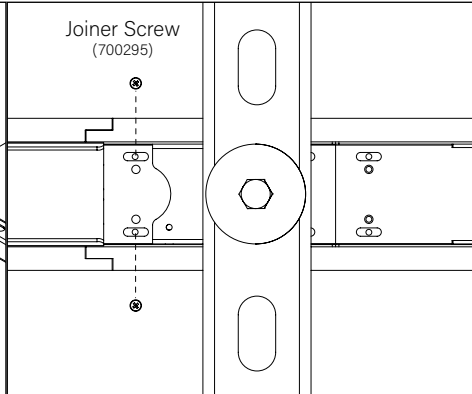
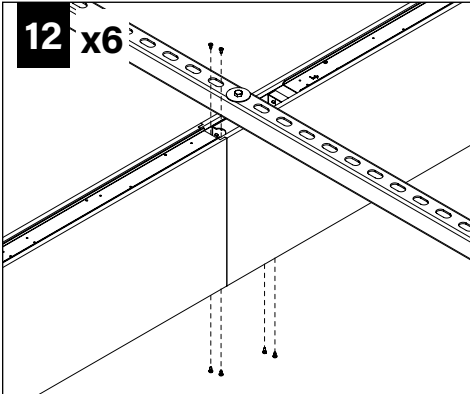
U - INDIVIDUAL
E - END OF RUN
I - INTERMEDIATE, **SEE STEP 5**



11b

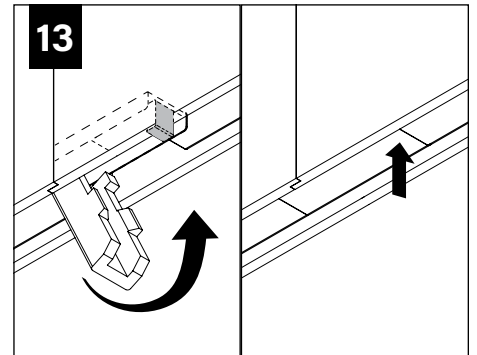


12 x6

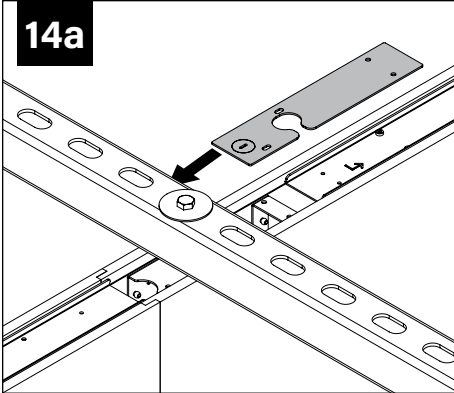


INDIRECT AND UNLIT UNITS ONLY

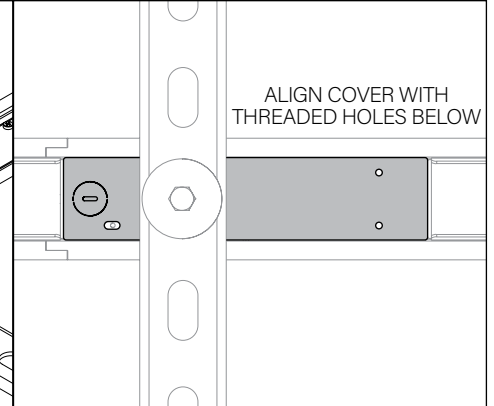
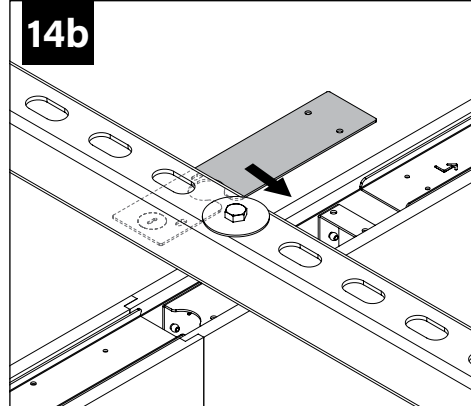
13



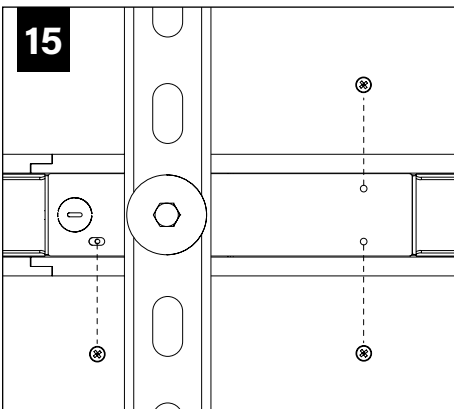
14a



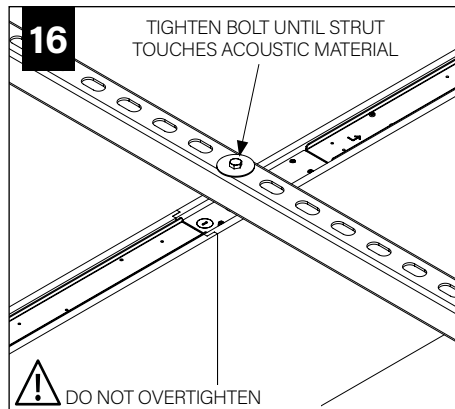
14b



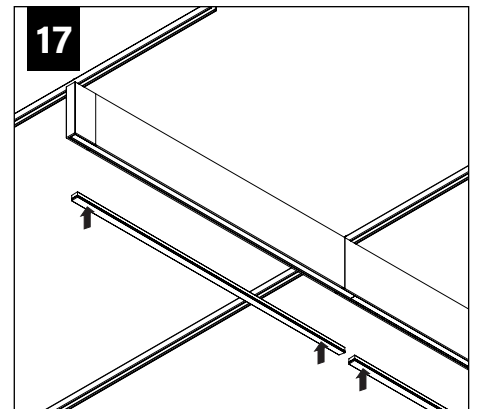
15



16



17



DIRECT TO STRUT - DRIVER SERVICE

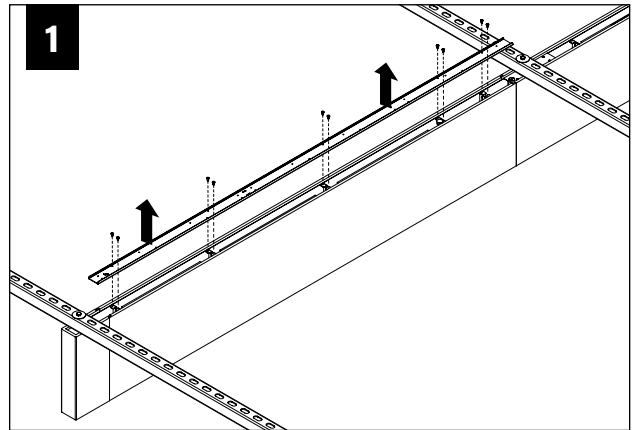


1/4-20 X 2.75" BOLT FOR 1-5/8" STRUT HEIGHT PROVIDED BY FOCAL POINT

HARDWARE FOR STRUT HEIGHT
OTHER THAN 1-5/8"
PROVIDED BY OTHERS

CONTACT FOCAL POINT FOR
RECOMENDED HARDWARE FOR
STRUT HEIGHT NOT LISTED IN CHART

Strut Height	Bolt: 1/4-20 x
13/16"	2.0"
7/8"	2.0"
1"	2.25"
1-3/8"	2.50"
1-5/8"	2.75"
2-7/16"	3.50"
3-1/4"	4.50"



DIRECT TO GRID INSTALLATION

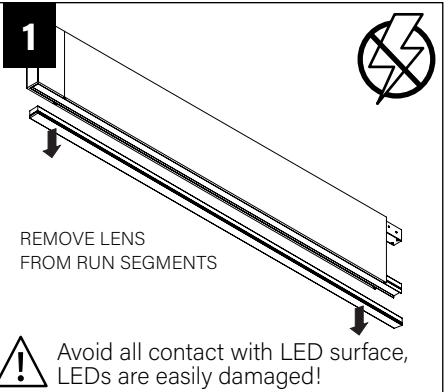


DIRECT TO GRID
**RUN LENGTHS
ARE LIMITED TO 16FT.**

RUNS SHOULD BE JOINED
ON A FLAT SURFACE **BEFORE**
MOUNTING TO GRID.

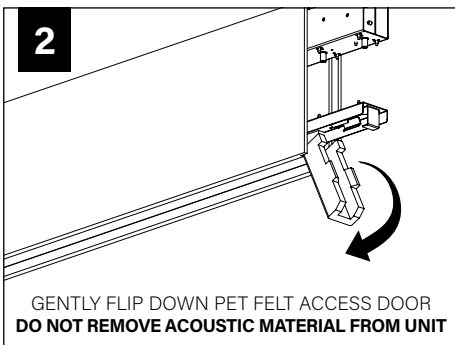


FOR INDIVIDUAL UNITS FOLLOW
STEPS 9-18

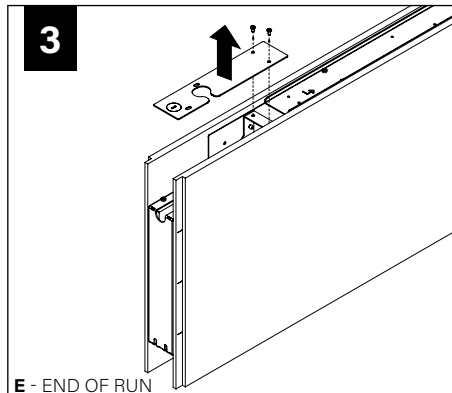


INDIRECT AND UNLIT UNITS ONLY

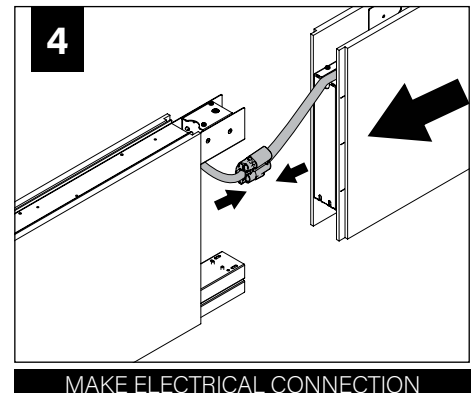
2



3

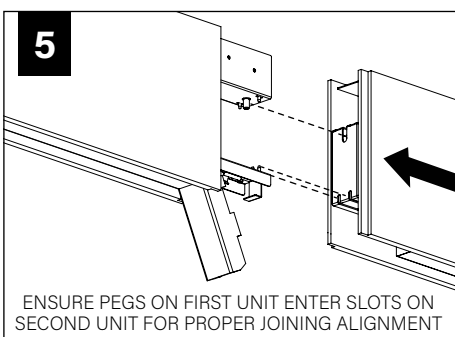


4

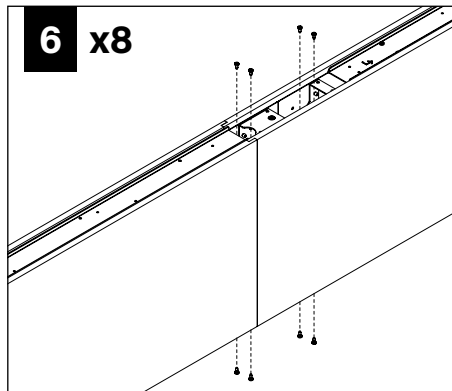


INDIRECT AND UNLIT UNITS ONLY

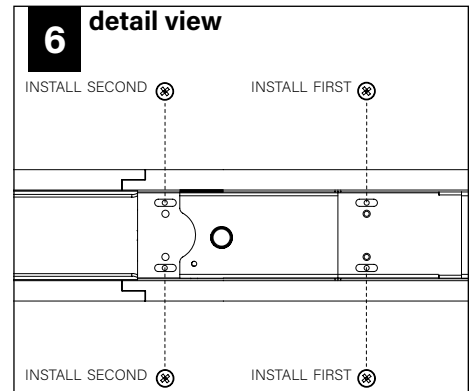
5



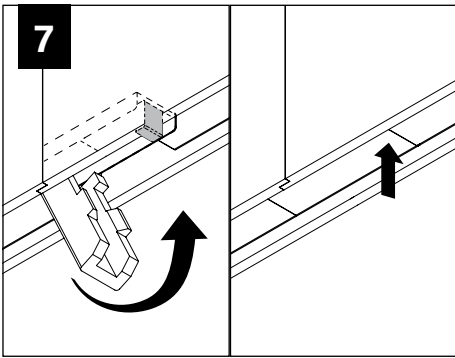
6 x8



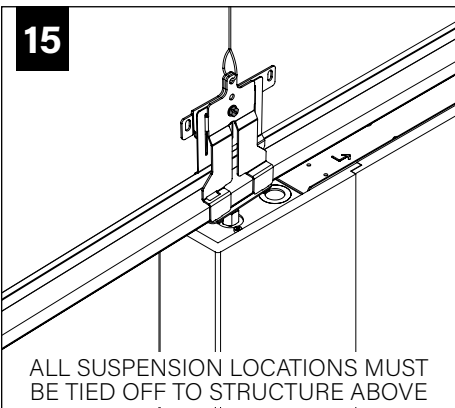
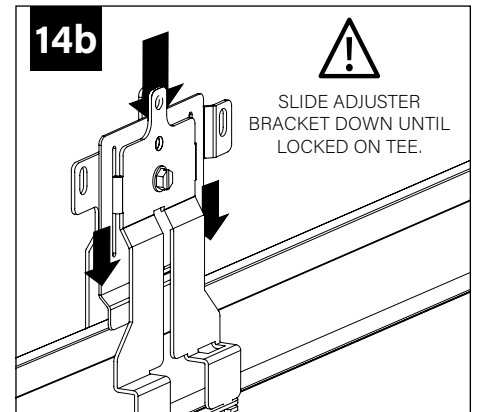
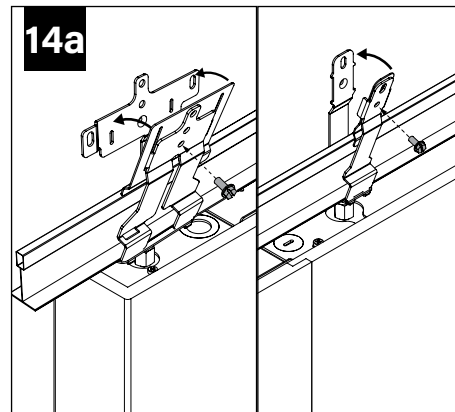
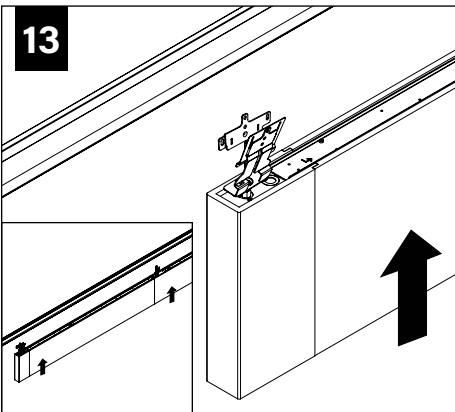
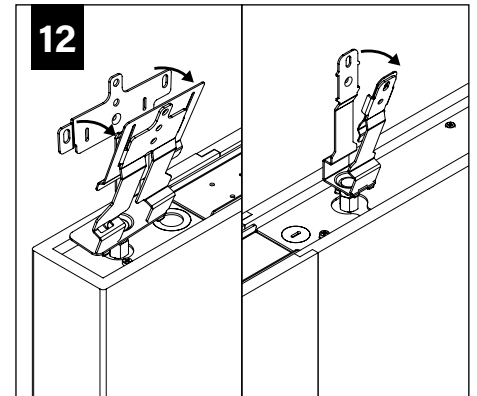
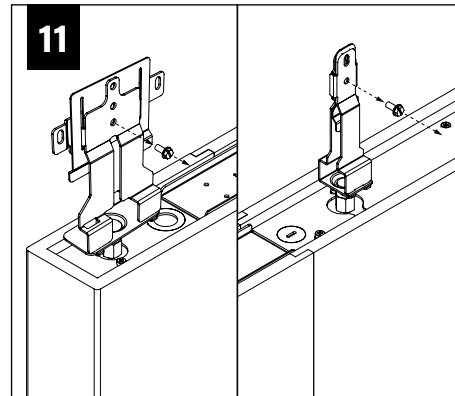
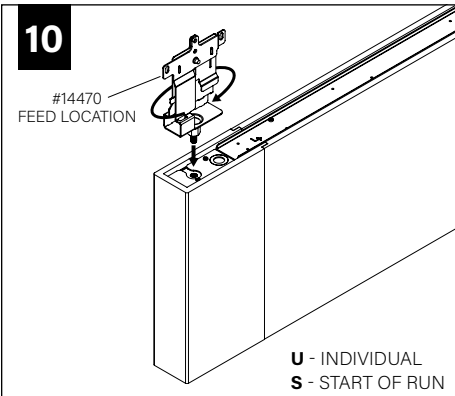
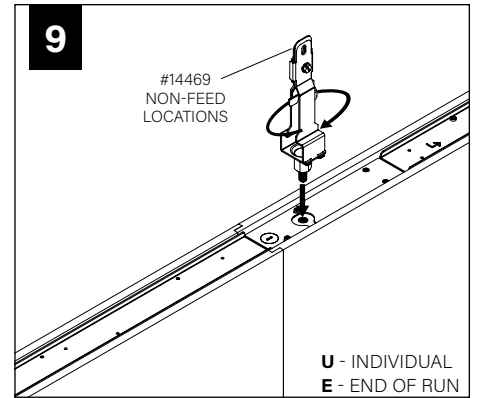
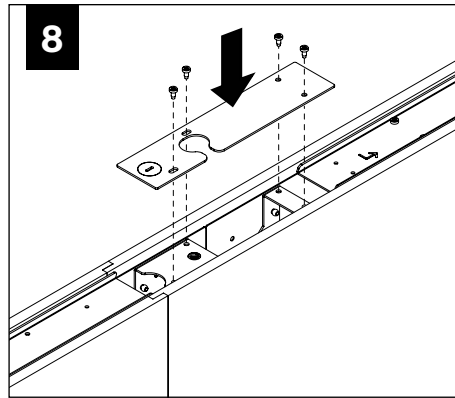
6 detail view

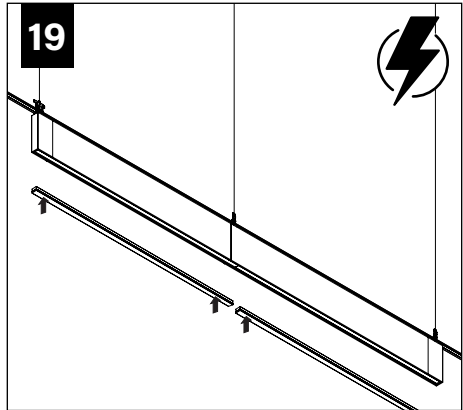
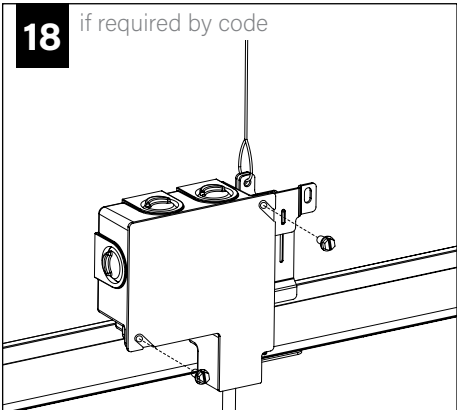
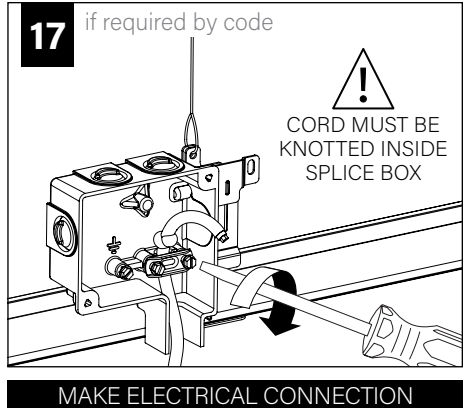
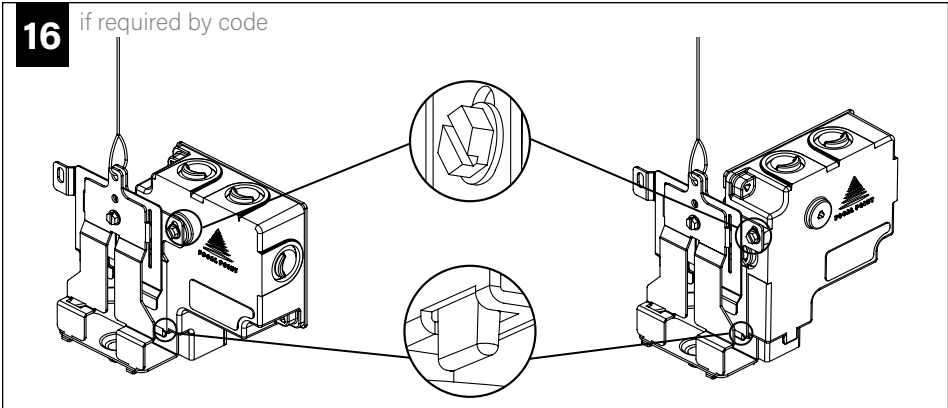


INDIRECT AND UNLIT UNITS ONLY



GENTLY FLIP UP PET FELT ACCESS DOOR UNTIL IT MEETS THE INTERNAL STOPPING MECHANISM
DO NOT APPLY EXCESSIVE PRESSURE





DRIVER SERVICE

I

**REMOVE FROM GRID
FOR DRIVER SERVICE
REVERSE STEPS 18-13**

